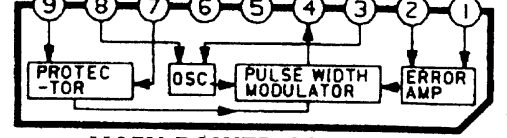


**micro**  
ELECTRONIC  
Dragoljub Jankovic  
micro@pjt.yu  
031 512 402 - 514 582

NEUTRAL (⌚)  
(+) LIVE (⌚)

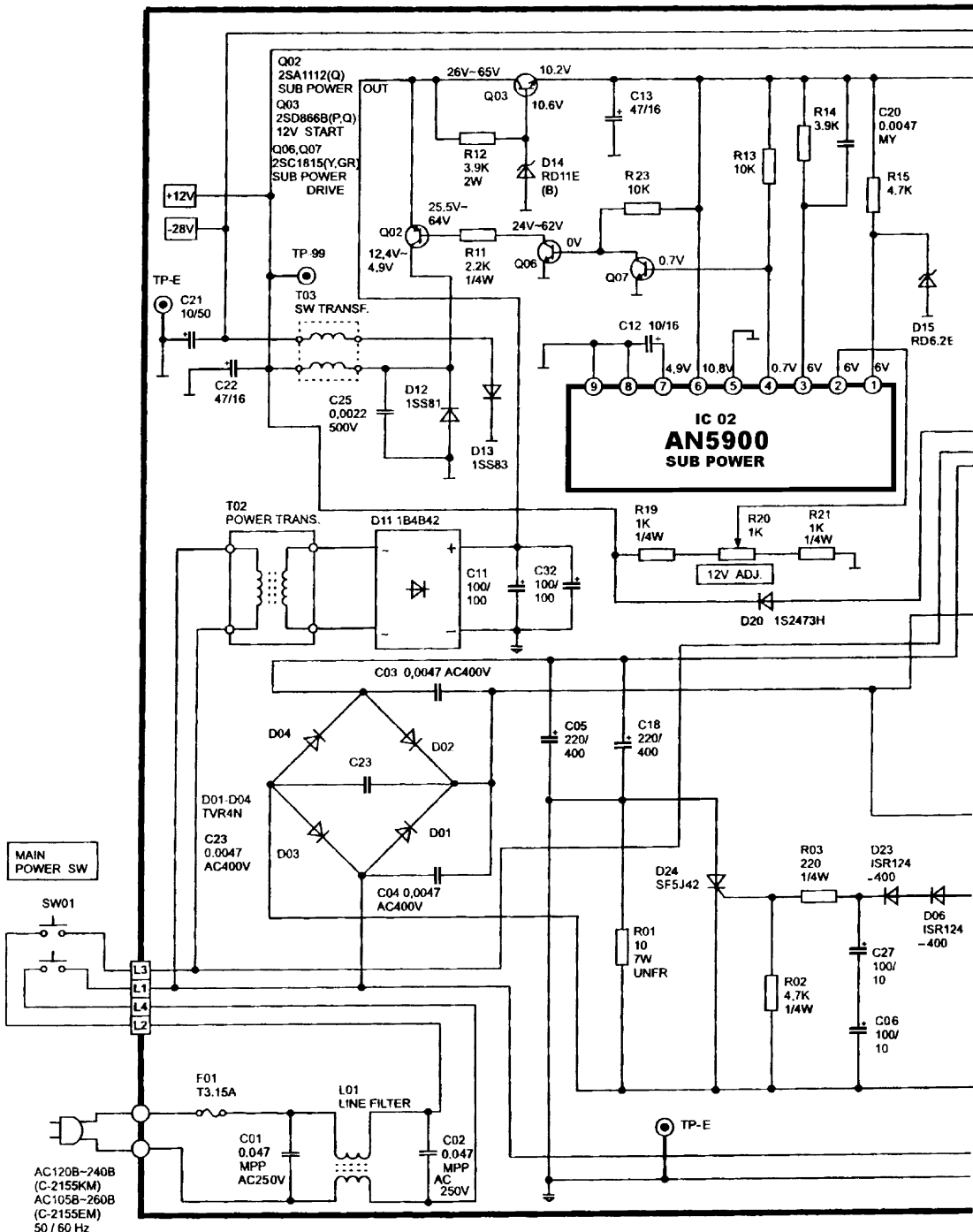


MAIN POWER CONTROL

IC951 AN 590

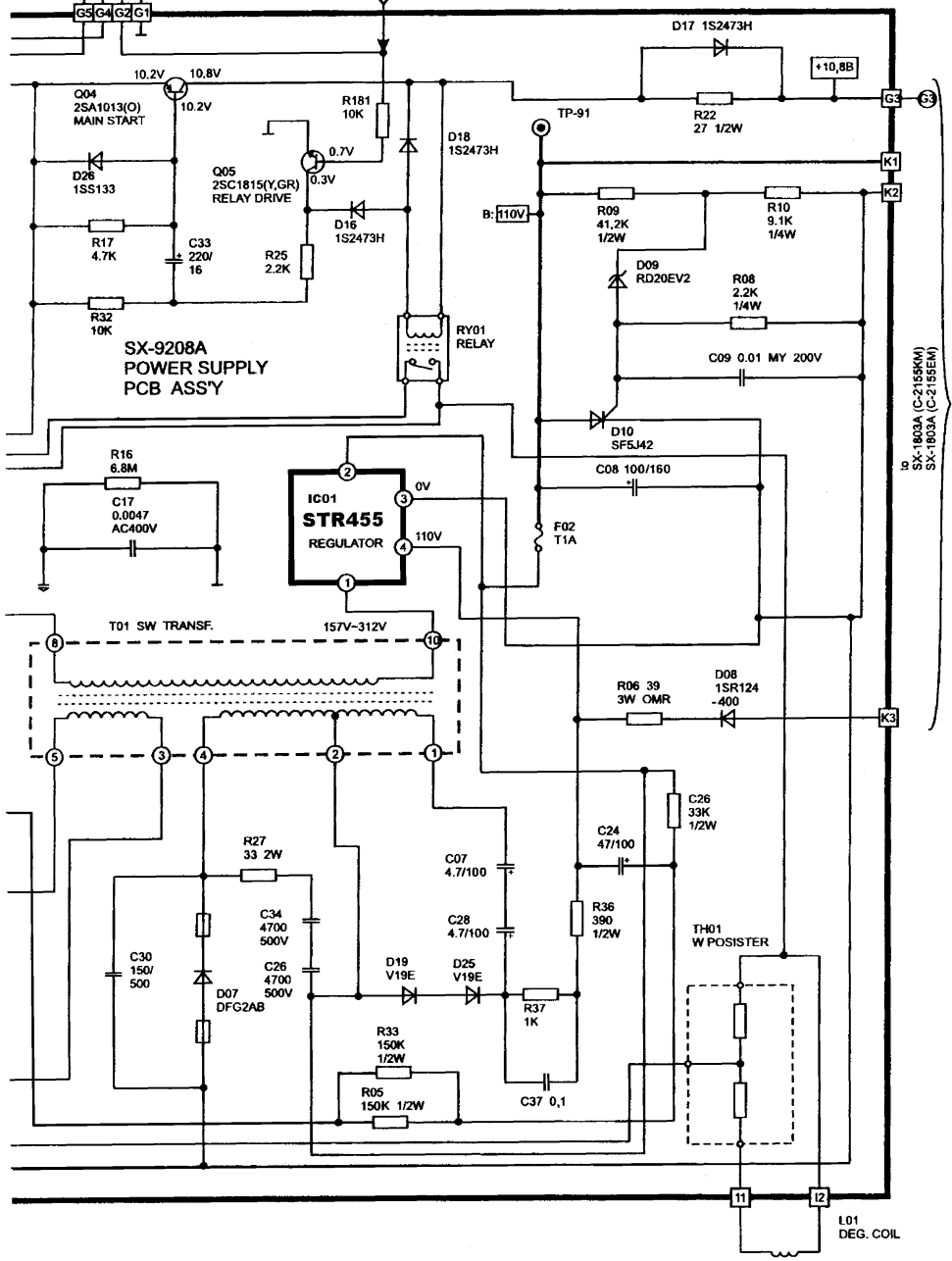


SBY-9902A  
LINE FILTER PCB ASSY



AC120B-240B  
(C-2155KM)  
AC105B-260B  
(C-2155EM)  
50 / 60 Hz

to  
SX-1803A(C-2155KM)  
SX-1804A(C-2155EM)

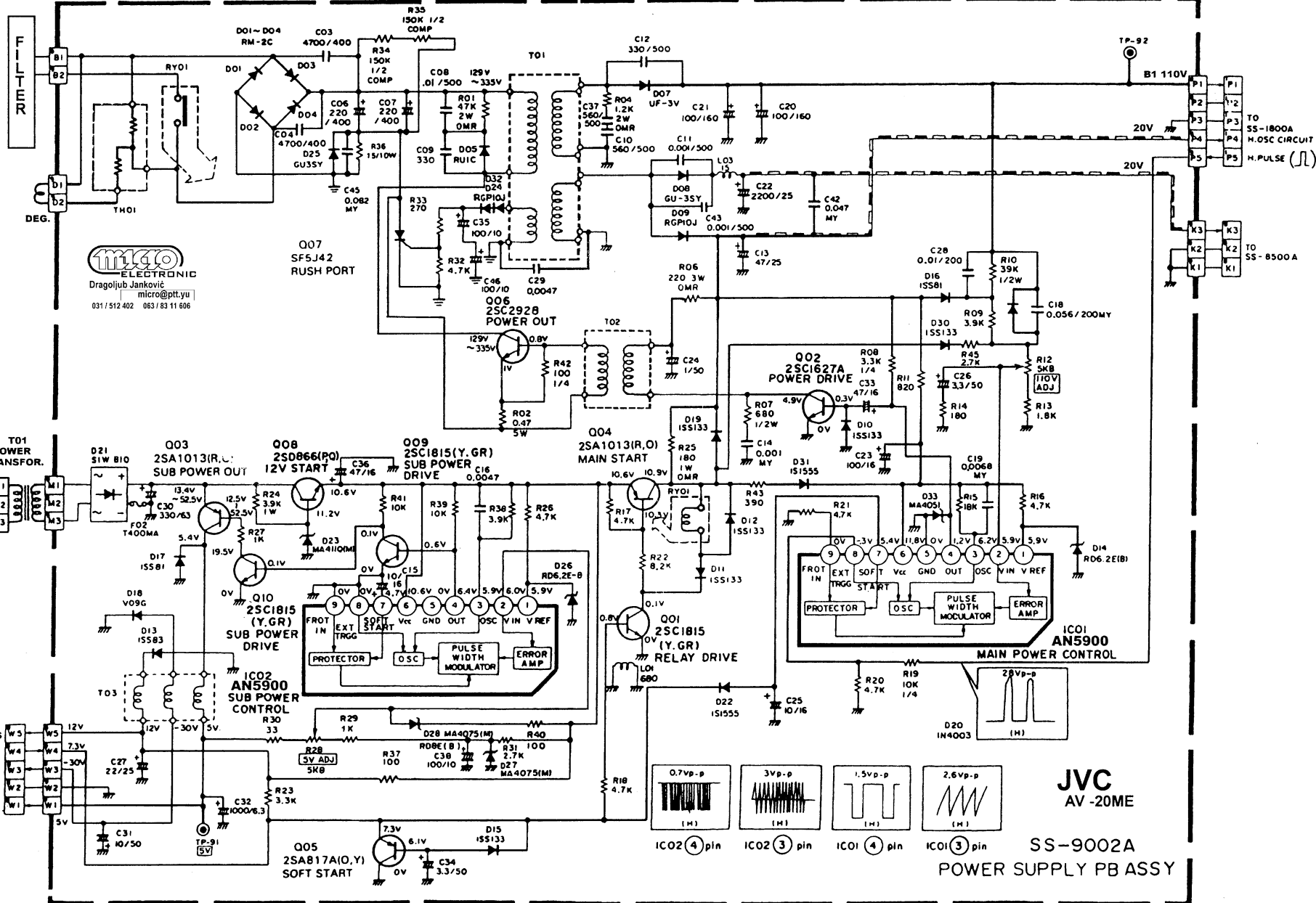


**SX-9208A  
POWER SUPPLY  
PCB ASSY**

IC01  
**STR455**  
REGULATOR

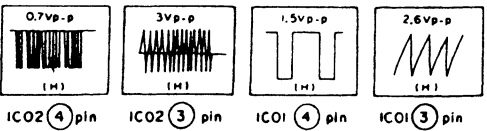
9  
SX-1803A (C-2155KM)  
SX-1804A (C-2155EM)

L01  
DEG. COIL



**micro ELECTRONIC**  
 Dragoljub Janković  
 micro@ppt.yu  
 031/512.402 063/83.11.606

REMOCON BIAS W3  
 SW ON/OFF W4  
 MEMORY TO SS-8500A W3  
 MICON BIAS W1



**JVC**  
 AV-20ME

SS-9002A  
 POWER SUPPLY PB ASSY