



LA7837, 7838

Vertical Deflection Circuit with TV/CRT Display Drive

Overview

The LA7837, 7838 are vertical deflection output ICs developed for use in high-grade TVs and displays. The interlace and crossover distortion responses, in particular, have been greatly improved, allowing excellent picture quality on large size televisions and high precision interlace mode displays.

Also, pulse signals can be used for input signals due to the on-chip sawtooth wave generating circuit and driver circuit. Further, the DC and AC feedback circuit can be formed with these ICs alone, simplifying pattern design of sets and ensuring stable performance. All of the functions in a color TV signal system can be processed by connecting these ICs with SANYO's single-chip IC LA7670 series (NTSC) and LA7680/85 series (PAL/NTSC) (VIF/SIF, video, chroma, deflection).

The LA7837 has a maximum deflection current of 1.8Ap-p, making it appropriate for use in portable to mid-size televisions.

The LA7838 has a maximum deflection current of 2.2Ap-p, so it can be used for large size sets, and can drive from 33 to 37 inches.

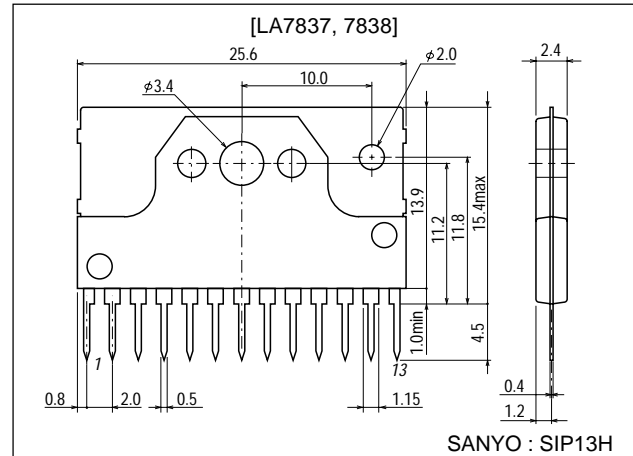
Features

- Low power dissipation due to on-chip pump-up circuit.
- On-chip 50/60Hz vertical size control circuit.
- On-chip sawtooth wave generating circuit.
- On-chip driver circuit.
- Vertical output circuit.
- On-chip thermal protection circuit.
- Excellent interlace response.
- Excellent crossover response.

Package Dimensions

unit:mm

3107-SIP13H



■ Any and all SANYO products described or contained herein do not have specifications that can handle applications that require extremely high levels of reliability, such as life-support systems, aircraft's control systems, or other applications whose failure can be reasonably expected to result in serious physical and/or material damage. Consult with your SANYO representative nearest you before using any SANYO products described or contained herein in such applications.

■ SANYO assumes no responsibility for equipment failures that result from using products at values that exceed, even momentarily, rated values (such as maximum ratings, operating condition ranges, or other parameters) listed in products specifications of any and all SANYO products described or contained herein.

SANYO Electric Co., Ltd. Semiconductor Company

TOKYO OFFICE Tokyo Bldg., 1-10, 1 Chome, Ueno, Taito-ku, TOKYO, 110-8534 JAPAN

LA7837, 7838

Specifications

Maximum Ratings at $T_a = 25^\circ\text{C}$

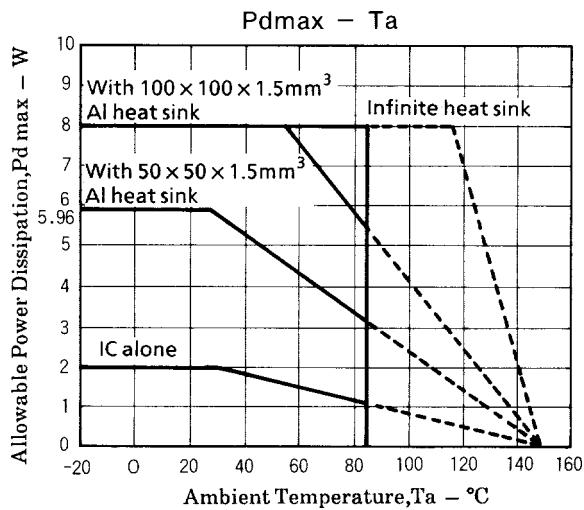
Parameter	Symbol	Conditions	Ratings	Unit
Driver supply voltage	$+V_{CC1}$ max		15	V
Pump-up supply voltage	$+V_{CC8}$ max		30	V
Output supply voltage	$+V_{CC13}$ max		62	V
Deflection output current	I_{DEF}		-1.5 to +1.5	Ap-o
Thermal resistance	θ_{j-c}		4	$^\circ\text{C/W}$
Allowable power dissipation	P_d max	With infinite heat sink	8	W
Operating temperature	T_{opr}		-20 to +85	$^\circ\text{C}$
Storage temperature	T_{stg}		-40 to +150	$^\circ\text{C}$

Operating Conditions at $T_a = 25^\circ\text{C}$, parenthesis () indicates LA7838.

Parameter	Symbol	Conditions	Ratings	Unit
Recommended driver supply voltage	$+V_{CC1}$		12	V
Operating driver supply voltage	$+V_{CC1}$		8 to 14	V
Recommended pump-up supply voltage	$+V_{CC8}$		24	V
Operating pump-up supply voltage	$+V_{CC8}$		10 to 27	V
Deflection output current	I_{12p-p}		up to 1.8 (2.2)	Ap-p
Operating ramp waveform pulse height	V_{6p-p}		up to $\{(B1/3)-1.0\}$	Vp-p

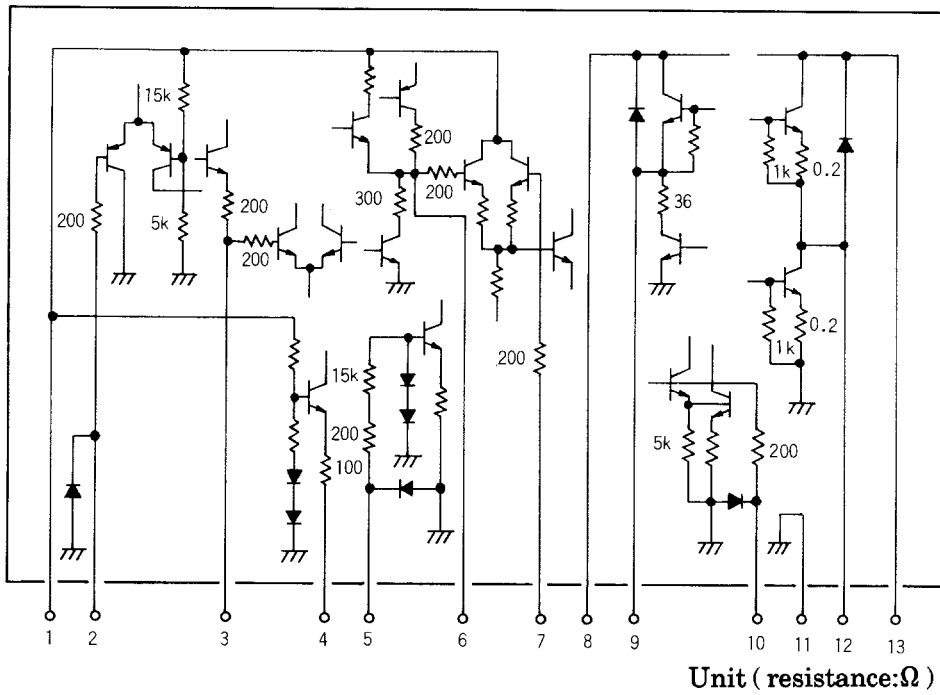
Operating Characteristics at $T_a = 25^\circ\text{C}$, $+V_{CC1}=12\text{V}$, $+V_{CC8}=24\text{V}$, parenthesis () indicate LA7838.

Parameter	Symbol	Conditions	Ratings			Unit
			min	typ	max	
Driver supply current	I_{CC1}		5.6	6.7	7.8	mA
Trigger input threshold voltage	V_2		2.6	2.9	3.2	V
Vertical amplitude control pin voltage	V_4		5.9	6.1	6.3	V
Ramp waveform Generation start voltage	V_{RAMP}		4.6	4.9	5.2	V
Pump-up charge saturation voltage	V_{s9-11}	$I_9=20\text{mA}$			1.8	V
Pump-up discharge saturation voltage	V_{s8-9}	$I_9=0.9\text{A}$			3.0	V
		$(I_9=1.1\text{A})$			(3.2)	V
Deflection output saturation voltage (lower)	V_{s12-11}	$I_{12}=0.9\text{A}$			1.2	V
		$(I_{12}=1.1\text{A})$			(1.5)	V
Deflection output saturation voltage (upper)	V_{s13-12}	$I_{12}=0.9\text{A}$			3.2	V
		$(I_{12}=1.1\text{A})$			(3.5)	V
Idling current	I_{DL}		35		65	mA
Voltage gain				59		dB

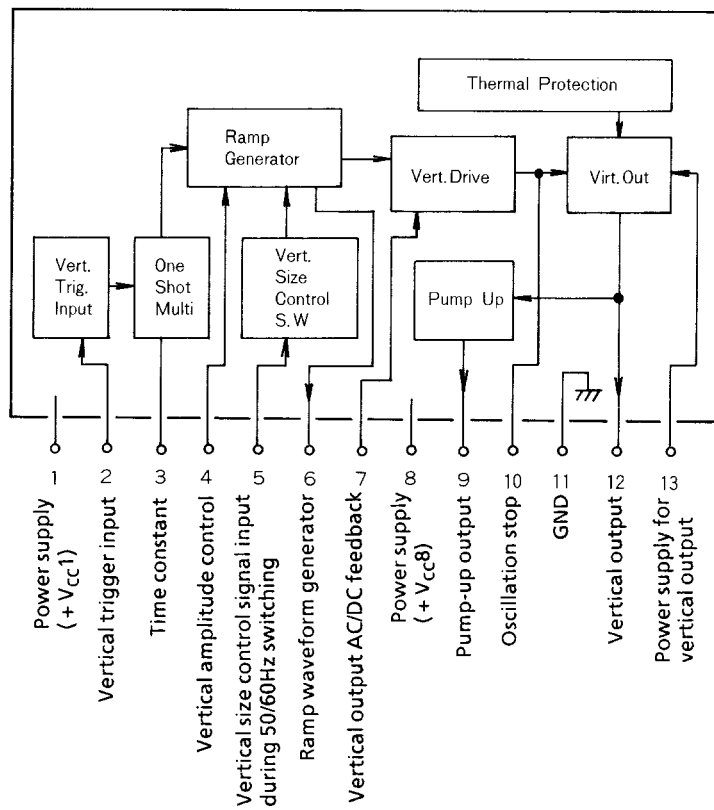


LA7837, 7838

LA7837, 7838 Interface Circuit



LA7837, 7838 Pin Connection Diagram and Block Diagram



LA7837, 7838

Sample Application Circuits for 14" Color TV

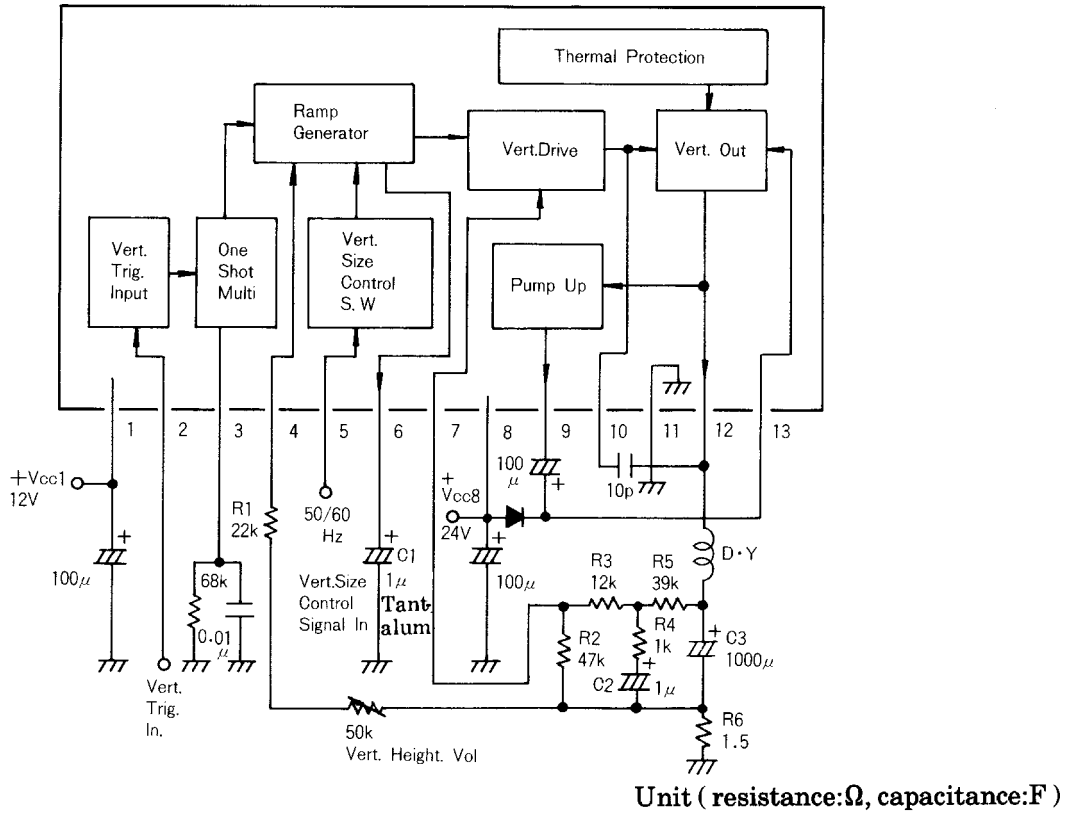


Fig. 1 +V_{CC1}, 12V

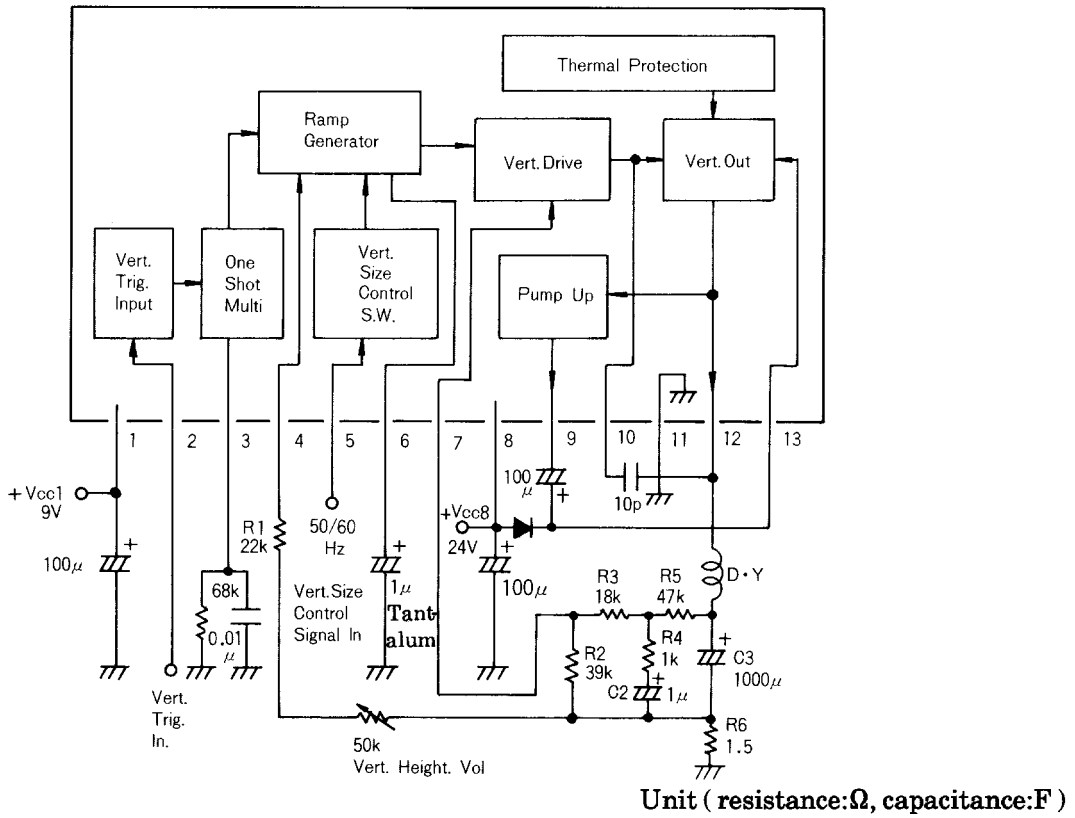


Fig. 2 +V_{CC1}, 9V

LA7837, 7838

Sample Application Circuits for 14" Display (Retrace Time≈300μs)

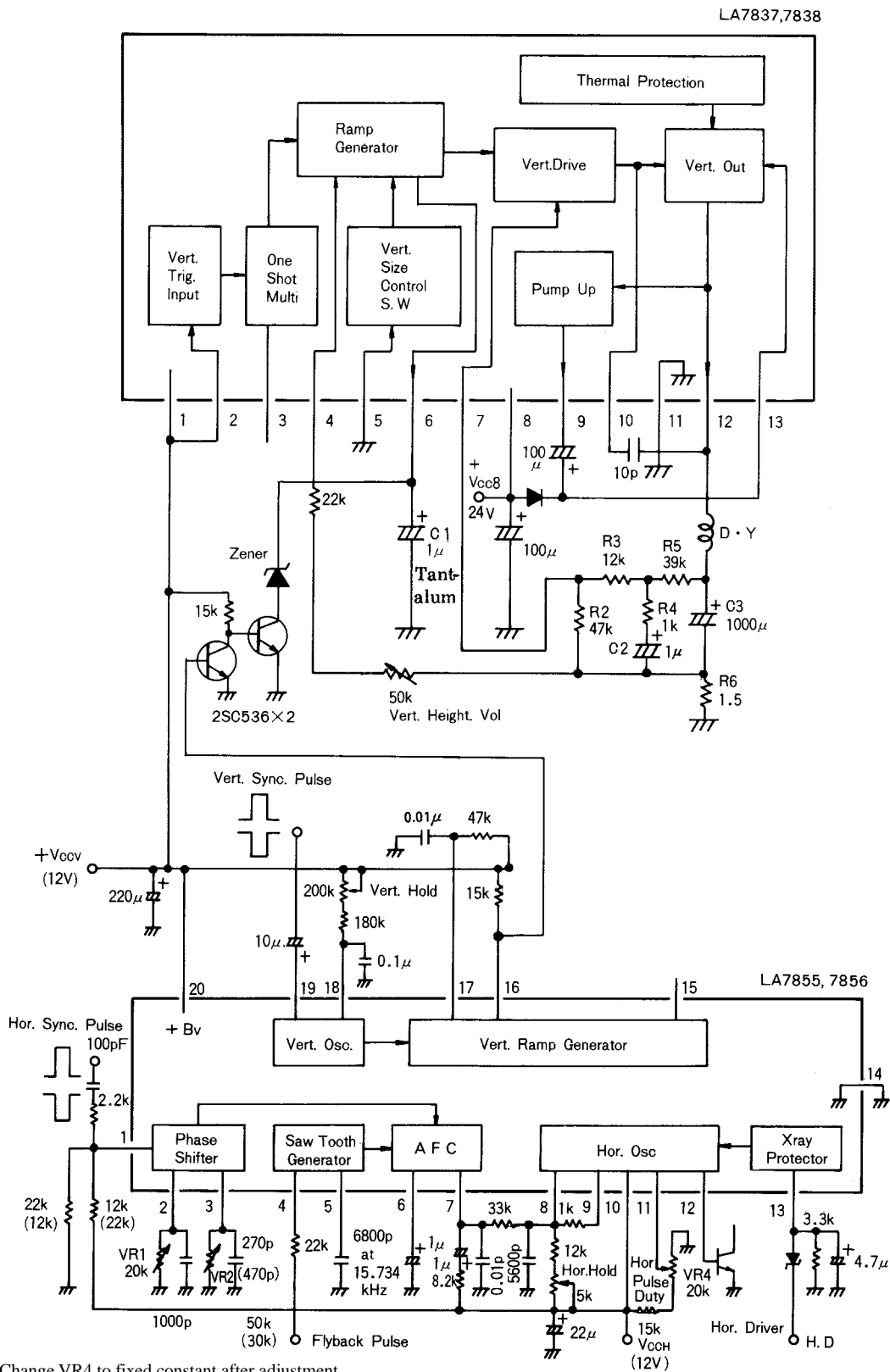


Fig. 3

Unit (resistance:Ω, capacitance:F)

Precautions when using with display having short retrace time :

The vertical output ICs LA7837, 7838 are appropriate for use in monitors and displays because the interlace and crossover distortion responses are superior to those of the LA7835, 7836.

However, since the vertical retrace time of displays is shorter than that of TV, the upper portion of the vertical picture may stretch. This is because the start waveform of the pin 6 sawtooth wave bends, as shown in Fig.4, due to the diode response of the clamp waveform. If there is not much time difference between T_1 and T_R , the upper portion of the vertical picture will tend to stretch. The use of a circuit as shown in Fig.3 will cause pin 6 waveform start wave to become linear, so that stretching is suppressed. The example of circuit application shown in Fig.3 does not use the trigger input circuit (pin 2) and one-shot multivibrator (pin 3) built in the LA7837, 7838 ; the pin 6 sawtooth wave is controlled by the LA7855, 7856 vertical output pulse.

Therefore, the discharge circuit and clamp circuit are formed by the external Zener diode and transistor TR2.

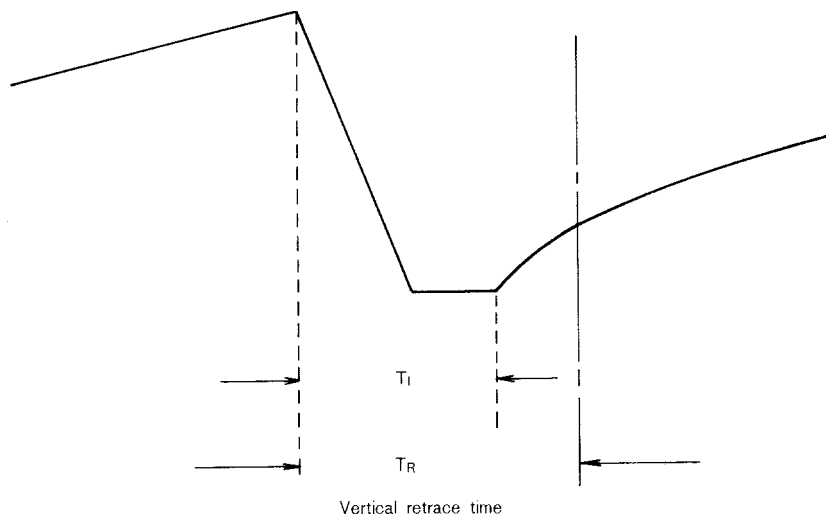


Fig. 4

Design Example

For 12V pin 1 power supply

On the LA7837, 7838, pin 3 one-shot multivibrator operates when a trigger pulse enters pin 2. During this time, the sawtooth wave generator discharge circuit and clamp circuit inside pin 6 operate.

The clamp voltage at this time is figured according to this formula :

$$V_{CLAMP} = 5/12 \cdot V_{CC} \dots\dots\dots \textcircled{1}$$

For 12V,

$$V_{CLAMP} = 5 \text{ [V]}$$

Therefore, the Zener diode used in Fig.3 must be rated more than 5V (e.g. 5.6V), otherwise the clamp circuit inside the IC will operate.

For 9V pin 1 power supply

The same as for 12V, according to formula $\textcircled{1}$:

$$V_{CLAMP} = 3.75 \text{ [V]}$$

So, that Zener diode must be rated more than 4V (e.g. 4.5V).

LA7837, 7838

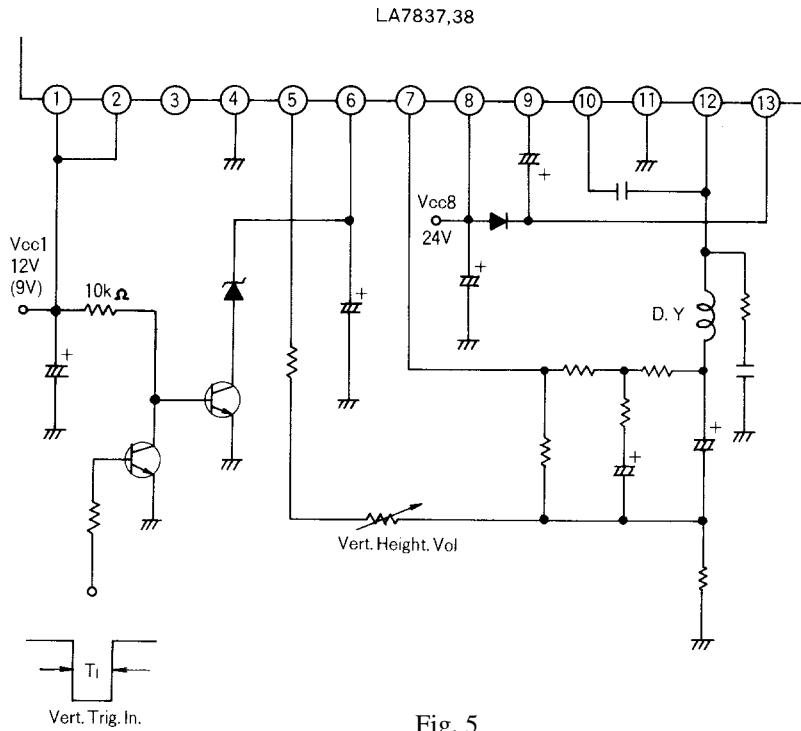


Fig. 5

Pin 6 waveform when using the LA7837, 7838 in a display application circuit (Fig. 3)

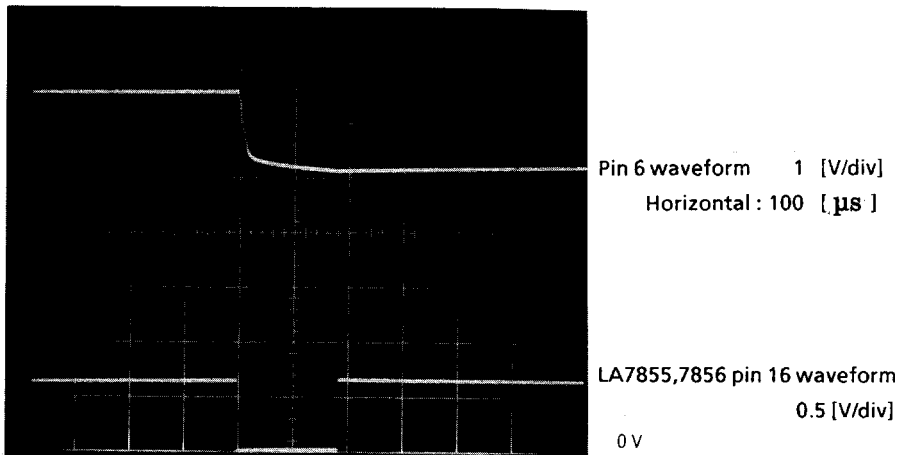


Fig. 6

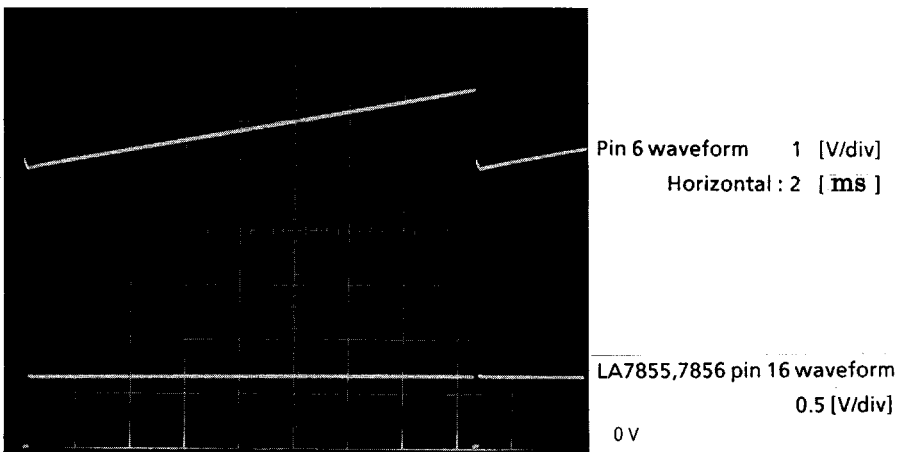


Fig. 7

LA7837, 7838 application in a multi-sync system

The LA7837, 7838 can also be used in a vertical frequency multi-sync system.

The LA7837, 7838 do not have an on-chip vertical oscillation circuit, so they operate merely by impressing a trigger pulse (e.g. 40 to 80Hz) on pin 2.

However, there are two problems with using the LA7837, 7838 as are in a multi-sync system.

One is vertical amplitude. When the trigger pulse changes between 40 to 80Hz, the vertical frequency will rise and amplitude size decreases (because pin 6 cycle (T1, T2) in the diagram below becomes shorter).

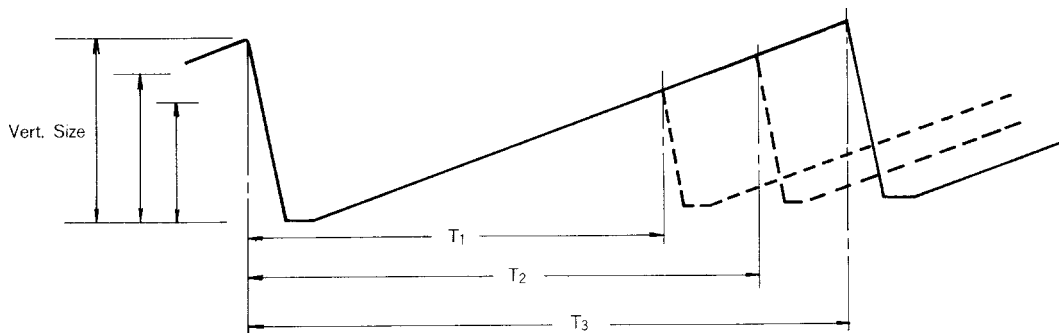
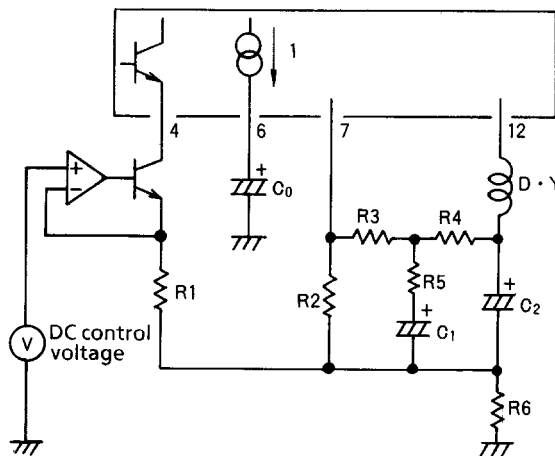


Fig. 8

Countermeasure 1

In order to stabilize vertical size change, an operational amplifier is used to change the circuit to one which controls pin 4 vertical size control current.

Voltage which corresponds to vertical frequency changes is applied to the operational amplifier to stabilize vertical size.



The other problem is that vertical linearity changes when used at multi-frequency (e.g. 40 to 80Hz).

The reason for this is that R5 and C1 time constants are used for linearity correction (Fig.9), so even though the value is optimum for a certain frequency, it is not for others.

Countermeasure 2

As shown in Fig.10, good linearity can be obtained by setting frequency ranges of use for R5 and C1 time constants for vertical linearity correction, and switching them.

For example :

- 40 to 60Hz Switch A
- 60 to 80Hz Switch B

For switch A, R5 and C1 are set so that vertical linearity response is optimum for $f_v \approx 50\text{Hz}$.

Next, for switch B, R5' and C1' are set for optimum value at $f_v \approx 70\text{Hz}$.

By dividing the vertical trigger pulse range (e.g.40 to 80Hz) and performing linearity correction in this way, linearity distortion can be kept below about 3%.

Reference

For example, when using the LA7837, 7838 on a multi-sync system with 40 to 80Hz vertical frequency, vertical linearity distortion will be less than approximately 4%, if vertical size is always uniform.

Therefore, if linearity response of better than 4% is desired, the linearity correction time constant switching circuit shown in Fig.10 should be used.

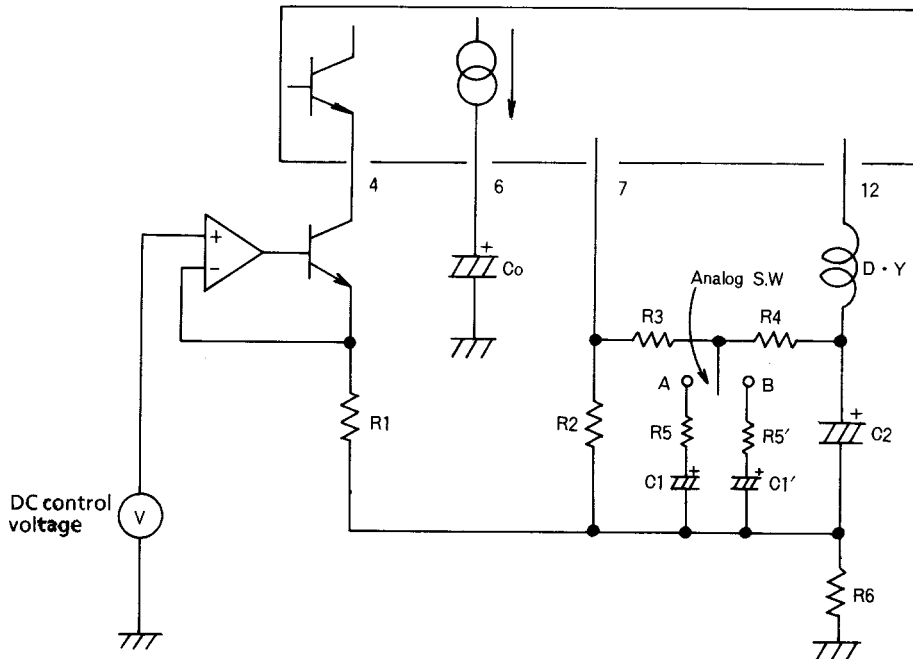


Fig. 10

- Specifications of any and all SANYO products described or contained herein stipulate the performance, characteristics, and functions of the described products in the independent state, and are not guarantees of the performance, characteristics, and functions of the described products as mounted in the customer's products or equipment. To verify symptoms and states that cannot be evaluated in an independent device, the customer should always evaluate and test devices mounted in the customer's products or equipment.
- SANYO Electric Co., Ltd. strives to supply high-quality high-reliability products. However, any and all semiconductor products fail with some probability. It is possible that these probabilistic failures could give rise to accidents or events that could endanger human lives, that could give rise to smoke or fire, or that could cause damage to other property. When designing equipment, adopt safety measures so that these kinds of accidents or events cannot occur. Such measures include but are not limited to protective circuits and error prevention circuits for safe design, redundant design, and structural design.
- In the event that any or all SANYO products(including technical data, services) described or contained herein are controlled under any of applicable local export control laws and regulations, such products must not be exported without obtaining the export license from the authorities concerned in accordance with the above law.
- No part of this publication may be reproduced or transmitted in any form or by any means, electronic or mechanical, including photocopying and recording, or any information storage or retrieval system, or otherwise, without the prior written permission of SANYO Electric Co., Ltd.
- Any and all information described or contained herein are subject to change without notice due to product/technology improvement, etc. When designing equipment, refer to the "Delivery Specification" for the SANYO product that you intend to use.
- Information (including circuit diagrams and circuit parameters) herein is for example only ; it is not guaranteed for volume production. SANYO believes information herein is accurate and reliable, but no guarantees are made or implied regarding its use or any infringements of intellectual property rights or other rights of third parties.

This catalog provides information as of January, 2001. Specifications and information herein are subject to change without notice.