

EVALUATION KIT  
AVAILABLE

# MAXIM

## +5V Single-Supply, 1MSPS, 14-Bit Self-Calibrating ADC

MAX1205

### General Description

The MAX1205 is a 14-bit, monolithic, analog-to-digital converter (ADC) capable of conversion rates up to 1MSPS. This integrated circuit, built on a CMOS process, uses a fully differential, pipelined architecture with digital error correction and a short self-calibration procedure that corrects for capacitor and gain mismatches and ensures 14-bit linearity at full sample rates. An on-chip track/hold (T/H) maintains superb dynamic performance up to the Nyquist frequency. The MAX1205 operates from a single +5V supply.

The fully differential inputs allow an input swing of  $\pm V_{REF}$ . The reference is also differential, with the positive reference (RFPF) typically connected to +4.096V and the negative reference (RFNF) connected to analog ground. Additional sensing pins (RFPS, RFNS) are provided to compensate for any resistive-divider action that may occur due to finite internal and external resistances in the reference traces and the on-chip resistance of the reference pins. A single-ended input is also possible using two operational amplifiers.

The power dissipation is typically 257mW at +5V, at a sampling rate of 1MSPS. The device employs a CMOS-compatible, 14-bit parallel, two's complement output data format. For higher sampling rates, the MAX1201 is a 2.2MSPS pin-compatible upgrade to the MAX1205.

The MAX1205 is available in an MQFP package, and operates over the commercial (0°C to +70°C) and the extended (-40°C to +85°C) temperature ranges.

### Applications

- Imaging
- Communications
- Medical
- Scanners
- Data Acquisition

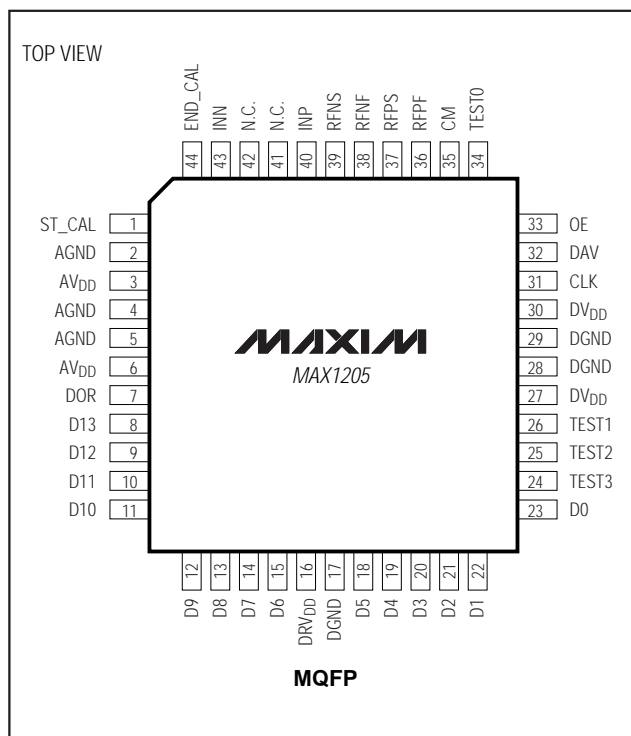
### Features

- ◆ Monolithic, 14-Bit, 1MSPS ADC
- ◆ +5V Single Supply
- ◆ SNR of 80dB for  $f_{IN} = 500\text{kHz}$
- ◆ SFDR of 87dB for  $f_{IN} = 500\text{kHz}$
- ◆ Low Power Dissipation: 257mW
- ◆ On-Demand Self-Calibration
- ◆ Differential Nonlinearity Error:  $\pm 0.3\text{LSB}$
- ◆ Integral Nonlinearity Error:  $\pm 1.2\text{LSB}$
- ◆ Three-State, Two's Complement Output Data

### Ordering Information

PART	TEMP. RANGE	PIN-PACKAGE
MAX1205CMH	0°C to +70°C	44 MQFP
MAX1205EMH	-40°C to +85°C	44 MQFP

### Pin Configuration



MAXIM

Maxim Integrated Products 1

For free samples & the latest literature: <http://www.maxim-ic.com>, or phone 1-800-998-8800.  
For small orders, phone 1-800-835-8769.

# +5V Single-Supply, 1MSPS, 14-Bit Self-Calibrating ADC

## ABSOLUTE MAXIMUM RATINGS

AV <sub>DD</sub> to AGND, DGND .....	+7V	Continuous Power Dissipation (T <sub>A</sub> = +70°C)	
DV <sub>DD</sub> to DGND, AGND .....	+7V	44-Pin MQFP (derate 11.11mW/°C above +70°C) .....	889mW
DRV <sub>DD</sub> to DGND, AGND .....	+7V	Operating Temperature Ranges (T <sub>A</sub> )	
INP, INN, RFPF, RFPS, RFNF, RFNS, CLK, CM .....	(AGND - 0.3V) to (AV <sub>DD</sub> + 0.3V)	MAX1205CMH .....	0°C to +70°C
Digital Inputs to DGND .....	-0.3V to (DV <sub>DD</sub> + 0.3V)	MAX1205EMH .....	-40°C to +85°C
Digital Output (DAV) to DGND .....	-0.3V to (DRV <sub>DD</sub> + 0.3V)	Storage Temperature Range .....	-65°C to +150°C
Other Digital Outputs to DGND .....	-0.3V to (DRV <sub>DD</sub> + 0.3V)	Lead Temperature (soldering, 10sec) .....	+300°C

Stresses beyond those listed under "Absolute Maximum Ratings" may cause permanent damage to the device. These are stress ratings only, and functional operation of the device at these or any other conditions beyond those indicated in the operational sections of the specifications is not implied. Exposure to absolute maximum rating conditions for extended periods may affect device reliability.

## ELECTRICAL CHARACTERISTICS

(AV<sub>DD</sub> = +5V ±5%, DV<sub>DD</sub> = DRV<sub>DD</sub> = +3.3V, V<sub>RFPS</sub> = +4.096V, V<sub>RFNS</sub> = AGND, V<sub>CM</sub> = +2.048V, V<sub>IN</sub> = -0.5dBFS, f<sub>CLK</sub> = 2.048MHz, digital output load ≤ 20pF, T<sub>A</sub> = T<sub>MIN</sub> to T<sub>MAX</sub>, unless otherwise noted. Typical values are at T<sub>A</sub> = +25°C.) (Note 1)

PARAMETER	SYMBOL	CONDITIONS	MIN	TYP	MAX	UNITS
<b>ANALOG INPUT</b>						
Input Voltage Range (Notes 2, 3)	V <sub>IN</sub>	Single-ended		4.096	4.5	V
		Differential		±4.096	±4.5	
Input Resistance (Note 4)	R <sub>I</sub>			55		kΩ
Input Capacitance (Note 3)	C <sub>I</sub>	Per side in track mode		21		pF
<b>REFERENCE/EXTERNAL</b>						
Reference Voltage (Note 3)	V <sub>REF</sub>			4.096	4.5	V
Reference Input Resistance			700	1000		Ω
<b>TRANSFER CHARACTERISTICS</b>						
Resolution (no missing codes) (Note 5)	RES	After calibration, guaranteed	14			Bits
Integral Nonlinearity	INL			±1.2		LSB
Differential Nonlinearity	DNL		-1	±0.3	+1	LSB
Offset Error			-0.2	±0.003	+0.2	%FSR
Gain Error			-5	-3.0	+5	%FSR
Input-Referred Noise				75		μV <sub>RMS</sub>
<b>DYNAMIC SPECIFICATIONS</b> (Note 6)						
Maximum Sampling Rate	f <sub>SAMPLE</sub>	f <sub>SAMPLE</sub> = f <sub>CLK</sub> / 2	1.024			MSPS
Conversion Time (Pipeline Delay/Latency)				4		f <sub>SAMPLE</sub> Cycles
Acquisition Time	t <sub>ACQ</sub>	To full-scale step (0.006%)		100		ns
Overshoot Recovery Time	t <sub>OVR</sub>			410		ns
Aperture Delay	t <sub>AD</sub>			3		ns
Full-Power Bandwidth				3.3		MHz
Small-Signal Bandwidth				78		MHz

# +5V Single-Supply, 1MSPS, 14-Bit Self-Calibrating ADC

MAX1205

## ELECTRICAL CHARACTERISTICS (continued)

(AVDD = +5V ±5%, DVDD = DRVDD = +3.3V, VRFPS = +4.096V, VRFNS = AGND, VCM = +2.048V, VIN = -0.5dBFS, fCLK = 2.048MHz, digital output load ≤ 20pF, TA = TMIN to TMAX, unless otherwise noted. Typical values are at TA = +25°C.) (Note 1)

PARAMETER	SYMBOL	CONDITIONS	MIN	TYP	MAX	UNITS
Signal-to-Noise Ratio (Note 5)	SNR	f <sub>IN</sub> = 99.5kHz	78	83		dB
		f <sub>IN</sub> = 300.5kHz		81.5		
		f <sub>IN</sub> = 504.5kHz		80		
Spurious-Free Dynamic Range (Note 5)	SFDR	f <sub>IN</sub> = 99.5kHz	84	91		dB
		f <sub>IN</sub> = 300.5kHz		88		
		f <sub>IN</sub> = 504.5kHz		87		
Total Harmonic Distortion (Note 5)	THD	f <sub>IN</sub> = 99.5kHz		-86	-80	dB
		f <sub>IN</sub> = 300.5kHz		-85		
		f <sub>IN</sub> = 504.5kHz		-84		
Signal-to-Noise Ratio plus Distortion (Note 5)	SINAD	f <sub>IN</sub> = 99.5kHz	77	82		dB
		f <sub>IN</sub> = 300.5kHz		79		
		f <sub>IN</sub> = 504.5kHz		78		
<b>POWER REQUIREMENTS</b>						
Analog Supply Voltage	AVDD		4.75	5	5.25	V
Analog Supply Current	I(AVDD)			51	70	mA
Digital Supply Voltage	DVDD		3		5.25	V
Digital Supply Current	I(DVDD)			0.4	1.2	mA
Output Drive Supply Voltage	DRVDD		3		DRVDD	V
Output Drive Supply Current	I(DRVDD)	10pF loads on D0–D13 and DAV		0.1	0.6	mA
Power Dissipation	PDSS			257	377	mW
Warm-Up Time				0.1		sec
Power-Supply Rejection Ratio	PSRR	Offset	55			dB
		Gain	55			

# +5V Single-Supply, 1MSPS, 14-Bit Self-Calibrating ADC

## TIMING CHARACTERISTICS

(AVDD = +5V ±5%, DVDD = DRVDD = +3.3V, fCLK = 2.048MHz, TA = TMIN to TMAX, unless otherwise noted. Typical values are at TA = +25°C.) (Note 1)

PARAMETER	SYMBOL	CONDITIONS	MIN	TYP	MAX	UNITS
Conversion Time	tCONV		4 / fSAMPLE			ns
Clock Period	tCLK		488			ns
Clock High Time	tCH		187	244	301	ns
Clock Low Time	tCL		187	244	301	ns
Acquisition Time	tACO		tCLK / 2			ns
Output Delay	tOD			70	150	ns
DAV Pulse Width	tDAV		1 / fCLK			ns
CLK-to-DAV Rising Edge	ts			65	145	ns
Data Access Time	tAC	CL = 20pF		16	75	ns
Bus Relinquish Time	tREL			16	75	ns
Calibration Time	tCAL	ST_CAL = 1, Figure 8	17,400			fCLK cycles

## DIGITAL INPUTS AND OUTPUTS

(AVDD = +5V ±5%, DVDD = DRVDD = +3.3V, TA = TMIN to TMAX, unless otherwise noted. Typical values are at TA = +25°C.)

PARAMETER	SYMBOL	CONDITIONS	MIN	TYP	MAX	UNITS
Input Low Voltage	VIL				0.8	V
Input High Voltage	VIH		DVDD - 0.8			V
Input Capacitance				4		pF
CLK Input Low Voltage	CLKVIL				0.8	V
CLK Input High Voltage	CLKVIH		AVDD - 0.8			V
CLK Input Capacitance	CCLK			9		pF
Digital Input Current	IIN_	VIN_ = 0 or DVDD		±0.1	±10	µA
Clock Input Current	ICLK		-10	±1	+10	µA
Output Low Voltage	VOL	ISINK = 1.6mA		70	400	mV
Output High Voltage	VOH	ISOURCE = 200µA	DVDD - 0.4	DVDD - 0.03		V
Three-State Leakage Current	I Leakage			±0.1	±10	µA
Three-State Output Capacitance	COUT			3.5		pF

**Note 1:** Reference inputs driven by operational amplifiers for Kelvin-sensed operation.

**Note 2:** For unipolar mode, the analog input voltage VINP must be within 0V and VREF. VINN = VREF / 2; where VREF = VRFPS - VRFNS. For differential mode, the analog inputs INP and INN must be within 0V and VREF; where VREF = VRFPS - VRFNS. The common mode of the inputs INP and INN is VREF / 2.

**Note 3:** Minimum and maximum parameters are not tested. Guaranteed by design.

**Note 4:** RI varies inversely with sample rate.

**Note 5:** Calibration remains valid for temperature changes within ±20°C and power-supply variations ±5%.

**Note 6:** All AC specifications are shown for the differential mode.

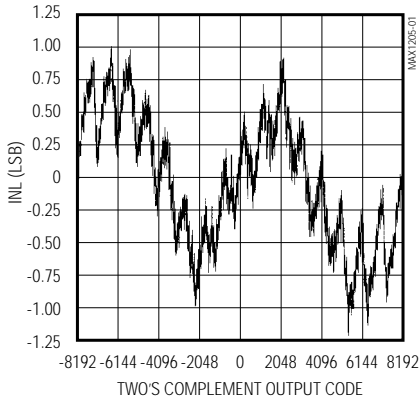
# +5V Single-Supply, 1MSPS, 14-Bit Self-Calibrating ADC

MAX1205

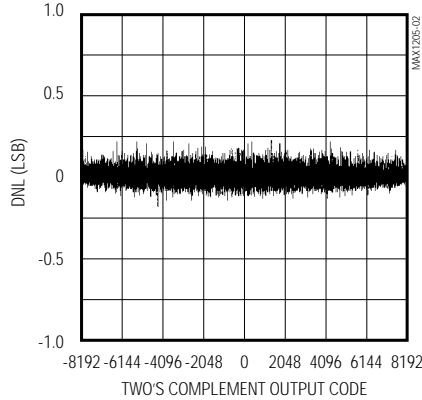
## Typical Operating Characteristics

( $V_{DD} = +5V \pm 5\%$ ,  $DV_{DD} = DRV_{DD} = +3.3V$ ,  $V_{RFS} = +4.096V$ ,  $V_{RNS} = AGND$ ,  $V_{CM} = +2.048V$ , differential input,  $f_{CLK} = 2.048MHz$ , calibrated,  $T_A = +25^\circ C$ , unless otherwise noted.)

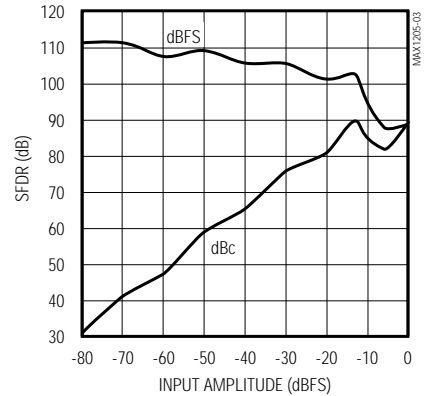
**INTEGRAL NONLINEARITY vs. TWO'S COMPLEMENT OUTPUT CODE**



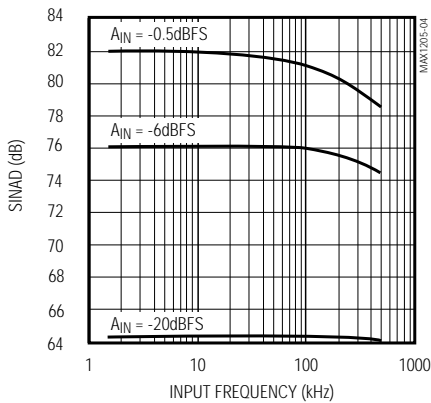
**DIFFERENTIAL NONLINEARITY vs. TWO'S COMPLEMENT OUTPUT CODE**



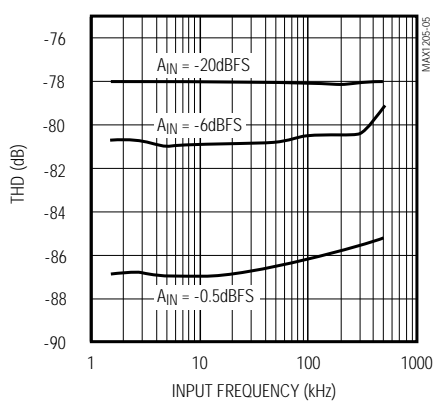
**SINGLE-TONE SPURIOUS-FREE DYNAMIC RANGE vs. INPUT AMPLITUDE ( $f_{IN} = 99.5kHz$ )**



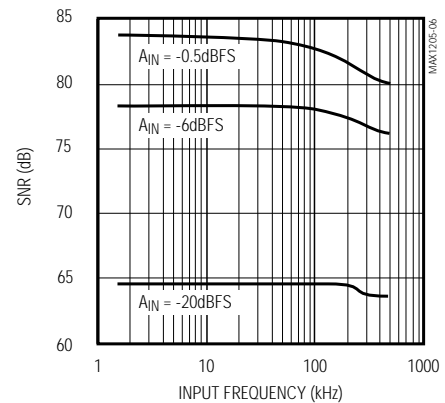
**SIGNAL-TO-NOISE RATIO PLUS DISTORTION vs. INPUT FREQUENCY**



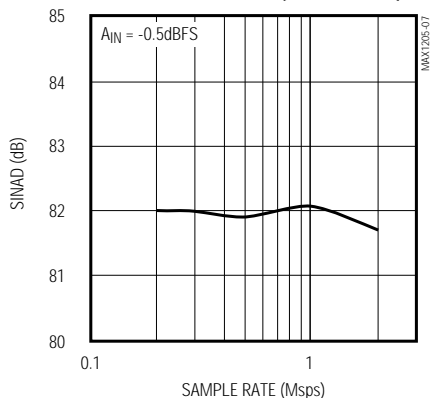
**TOTAL HARMONIC DISTORTION vs. INPUT FREQUENCY**



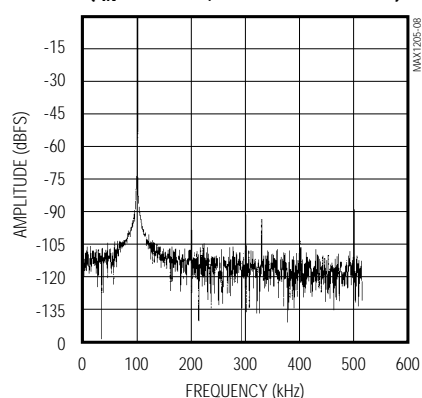
**SIGNAL-TO-NOISE RATIO vs. INPUT FREQUENCY**



**SIGNAL-TO-NOISE RATIO PLUS DISTORTION vs. SAMPLING RATE ( $f_{IN} = 99.5kHz$ )**



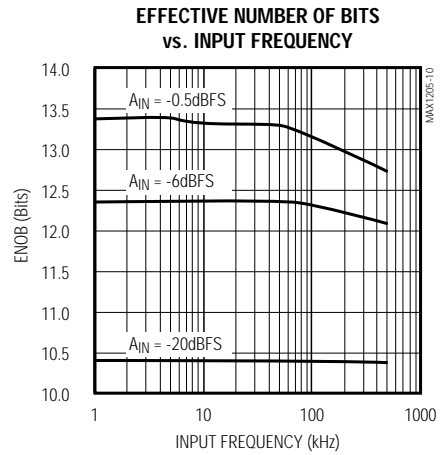
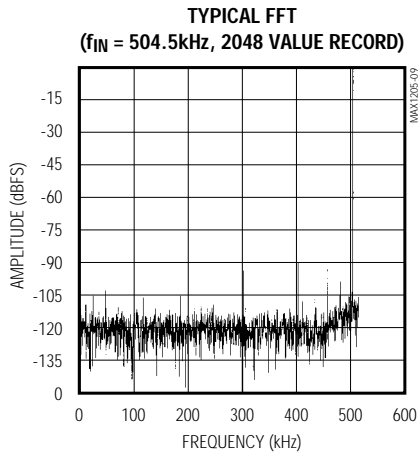
**TYPICAL FFT ( $f_{IN} = 99.5kHz$ , 2048 VALUE RECORD)**



# +5V Single-Supply, 1MSPS, 14-Bit Self-Calibrating ADC

## Typical Operating Characteristics (continued)

(AVDD = +5V ±5%, DVDD = DRVDD = +3.3V, VRFPS = +4.096V, VRFNS = AGND, VCM = +2.048V, differential input, fCLK = 2.048MHz, calibrated, TA = +25°C, unless otherwise noted.)



## Pin Description

PIN	NAME	FUNCTION
1	ST_CAL	Digital Input to Start Calibration. ST_CAL = 0: Normal conversion mode. ST_CAL = 1: Start self-calibration.
2, 4, 5	AGND	Analog Ground
3, 6	AVDD	Analog Power Supply, +5V ±5%
7	DOR	Data Out-of-Range Bit
8	D13	Bit 13 (MSB)
9	D12	Bit 12
10	D11	Bit 11
11	D10	Bit 10
12	D9	Bit 9
13	D8	Bit 8
14	D7	Bit 7
15	D6	Bit 6
16	DRVDD	Digital Power Supply for the Output Drivers, +3V to +5.25V, DRVDD ≤ DVDD
17, 28, 29	DGND	Digital Ground
18	D5	Bit 5
19	D4	Bit 4
20	D3	Bit 3
21	D2	Bit 2
22	D1	Bit 1
23	D0	Bit 0 (LSB)
24	TEST3	Test Pin 3. <b>Leave unconnected.</b>

# +5V Single-Supply, 1MSPS, 14-Bit Self-Calibrating ADC

## Pin Description (continued)

PIN	NAME	FUNCTION
25	TEST2	Test Pin 2. <b>Leave unconnected.</b>
26	TEST1	Test Pin 1. <b>Leave unconnected.</b>
27, 30	DVDD	Digital Power Supply, +3V to +5.25V
31	CLK	Input Clock. Receives power from AVDD to reduce jitter.
32	DAV	Data Valid Clock Output. This clock can be used to transfer the data to a memory or any other data-acquisition system.
33	OE	Output Enable Input. OE = 0: D0-D13 and DOR are high impedance. OE = 1: All bits are active.
34	TEST0	Test Pin 0. <b>Leave unconnected.</b>
35	CM	Common-Mode Voltage. Analog Input. Drive midway between positive and negative reference voltages.
36	RFPF	Positive Reference Voltage. Force input.
37	RFPS	Positive Reference Voltage. Sense input.
38	RFNF	Negative Reference Voltage. Force input.
39	RFNS	Negative Reference Voltage. Sense input.
40	INP	Positive Input Voltage
41, 42	N.C.	Not Connected. No internal connection.
43	INN	Negative Input Voltage
44	END_CAL	Digital Output for End of Calibration. END_CAL = 0: Calibration in progress. END_CAL = 1: Normal conversion mode.

## Detailed Description

### Converter Operation

The MAX1205 is a 14-bit, monolithic, analog-to-digital converter (ADC) capable of conversion rates up to 1MSPS. It uses a multistage, fully differential pipelined architecture with digital error correction and self-calibration to provide typically greater than 91dB spurious-free dynamic range at a 1MSPS sampling rate. Its signal-to-noise ratio, harmonic distortion, and intermodulation products are also consistent with 14-bit accuracy up to the Nyquist frequency. This makes the device suitable for applications such as imaging, scanners, data acquisition, and digital communications.

Figure 1 shows the simplified, internal structure of the ADC. A switched-capacitor pipelined architecture is used to digitize the signal at a high throughput rate. The first four stages of the pipeline use a low-resolution quantizer to approximate the input signal. The multiplying digital-to-analog converter (MDAC) stage is used to subtract the quantized analog signal from the input. The residue is then amplified with a fixed gain and

passed on to the next stage. The accuracy of the converter is improved by a digital calibration algorithm which corrects for mismatches between the capacitors in the switched capacitor MDAC. Note that the pipeline introduces latency of four sampling periods between the input being sampled and the output appearing at D13–D0.

While the device can handle both single-ended and differential inputs (see *Requirements for Reference and Analog Signal Inputs*), the latter mode of operation will guarantee best THD and SFDR performance. The differential input provides the following advantages compared to a single-ended operation:

- Twice as much signal input span
- Common-mode noise immunity
- Virtual elimination of the even-order harmonics
- Less stringent requirements on the input signal processing amplifiers

# +5V Single-Supply, 1MSPS, 14-Bit Self-Calibrating ADC

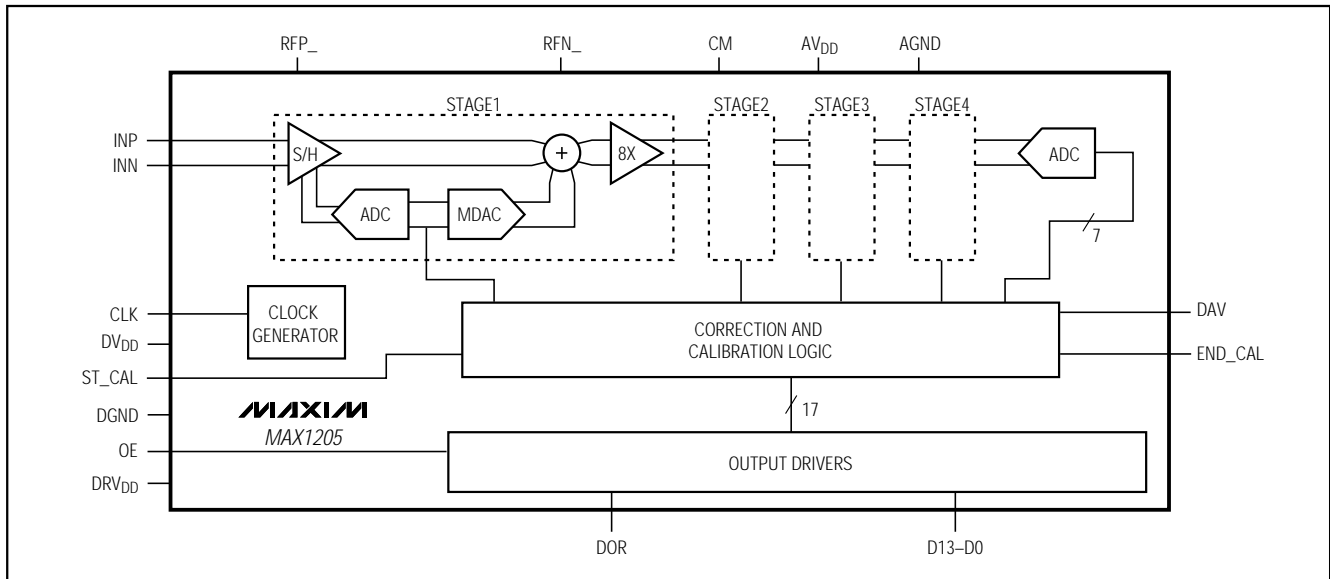


Figure 1. Internal Block Diagram

### Requirements for Reference and Analog Signal Inputs

Fully differential switched-capacitor circuits (SC) are used for both the reference and analog inputs (Figure 2). This allows either single-ended or differential signals to be used in the reference and/or analog signal paths. The signal voltage on these pins (INP, INN, RFN\_, RFP\_) should never exceed the analog supply rail, AVDD, and should not fall below ground.

### Choice of Reference

It is important to choose a low-noise reference, such as the MAX6341, which can provide both excellent load regulation and low temperature drift. The equivalent input circuit for the reference pins is shown in Figure 3. Note that the reference pins drive approximately 1kΩ of

resistance on chip. They also drive a switched capacitor of 21pF. To meet the dynamic performance, the reference voltage is required to settle to 0.0015% within one clock cycle. Accomplish this by choosing an appropriate driving circuit (Figure 4). The capacitors at the reference pins (RFPF, RFNF) provide the dynamic charge required during each clock cycle, while the op amps ensure accuracy of the reference signals. These capacitors must have low dielectric-absorption characteristics, such as polystyrene or teflon capacitors.

The reference pins can be connected to either single-ended or differential voltages within the specified maximum levels. Typically the positive reference pin (RFPF) would be driven to 4.096V, and the negative reference pin (RFNF) connected to analog ground. There are sense pins, RFPS and RFNS, which can be used with

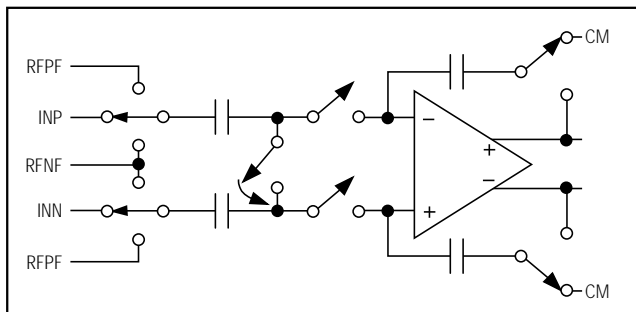


Figure 2. Simplified MDAC Architecture

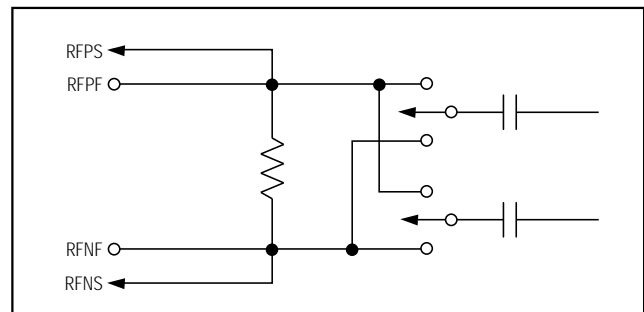


Figure 3. Equivalent Input at the Reference Pins. The sense pins should not draw any DC current.



# +5V Single-Supply, 1MSPS, 14-Bit Self-Calibrating ADC

external amplifiers to compensate for any resistive drop on these lines, internal or external to the chip. Ensure a correct reference voltage by using proper Kelvin connections at the sense pins.

### Common-Mode Voltage

The switched capacitor input circuit at the analog input allows signals between AGND and the analog power supply. Since the common-mode voltage has a strong influence on the performance of the ADC, the best results are obtained by choosing  $V_{CM}$  to be at half the difference between the reference voltages  $V_{RFP}$  and  $V_{RFN}$ . Achieve this by using a resistive divider between the two reference potentials. Figure 4 shows a typical driving circuit for good dynamic performance.

### Analog Signal Conditioning

For single-ended inputs the negative analog input pin (INN) is connected to the common-mode voltage pin (CM), and the positive analog input pin (INP) is connected to the input.

To take full advantage of the ADC's superior AC performance up to the Nyquist frequency, drive the chip with differential signals. In communication systems, the signals may inherently be available in differential mode. Medical and/or other applications may only provide sin-

gle-ended inputs. In this case, convert the single-ended signals into differential ones by using the circuit recommended in Figure 5. Use low-noise, wideband amplifiers such as the MAX4108 to maintain the signal purity over the full-power bandwidth of the MAX1205 input.

Lowpass or bandpass signals may be required to improve the signal-to-noise-and-distortion ratio of the incoming signal. For low-frequency signals (<100kHz), active filters may be used. For higher frequencies, passive filters are more convenient.

### Single-Ended to Differential Conversion Using Transformers

An alternative single-ended to differential-ended conversion method is a balun transformer such as the CTX03-13675 from Coiltronics. An important benefit of these transformers is their ability to level-shift single-ended signals referred to ground on the primary side to optimum common-mode voltages on the secondary side. At frequencies below 20kHz, the transformer core begins to saturate, causing odd-order harmonics.

### Clock Source Requirements

Pipelined ADCs typically need a 50% duty cycle clock. To avoid this constraint, the MAX1205 provides a

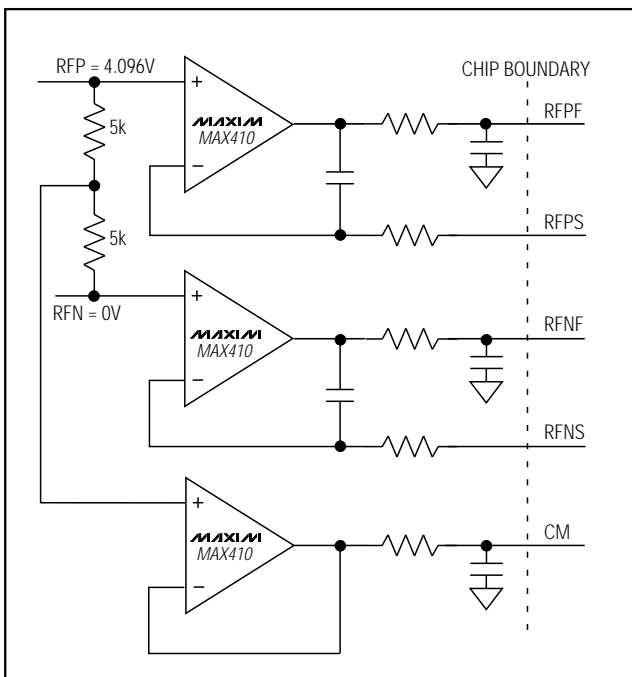


Figure 4. Drive Circuit for the Reference Pins and the Common-Mode Pin

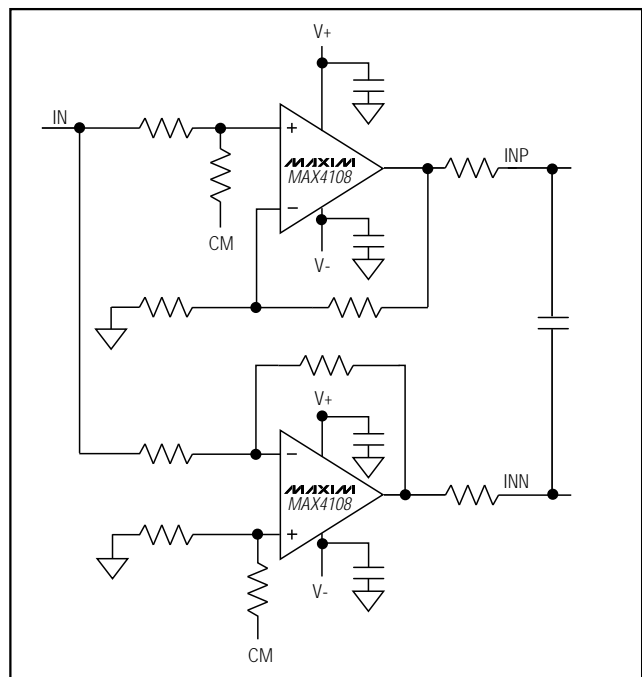


Figure 5. A simple circuit generates differential signals from a single-ended input referred to analog ground. The common-mode voltage at INP and INN is the same as CM.

# +5V Single-Supply, 1MSPS, 14-Bit Self-Calibrating ADC

divide-by-two circuit, which relaxes this requirement. The clock generator should be chosen commensurate with the frequency range, amplitude, and slew rate of the signal source. If the slew rate of the input signal is small, the jitter requirement on the clock is relaxed. However, if the slew rate is high, the clock jitter needs to be kept at a minimum. For a full-scale amplitude input sine wave, the maximum possible signal-to-noise ratio (SNR) due completely to clock jitter is given by:

$$SNR_{MAX} = \frac{1}{2\pi f_{IN} \sigma_{JITTER}}$$

For example, if  $f_{IN}$  is 0.5MHz and  $\sigma_{JITTER}$  is 20ps RMS, then the SNR limit due to jitter is about 84dB. Generating such a clock source requires a low-noise comparator and a low-phase-noise signal generator. The clock circuit shown in Figure 6 is a possible solution.

### Calibration Procedure

Since the MAX1205 is based on a pipelined architecture, low-resolution quantizers ("coarse ADCs") are used to approximate the input signal. MDACs of the same resolution are then used to reconstruct the input signal, which is subtracted from the input and the residue amplified by the SC gain stage. This residue is then passed on to the next stage.

The accuracy of the MAX1205 is limited by the precision of the MDAC, which is strongly dependent on the matching of the capacitors used. The mismatch between the capacitors is determined and stored in an on-chip memory, which is later used during the conversion of the input signal.

During the calibration procedure, the clock must be running continuously. ST\_CAL (start of calibration) is

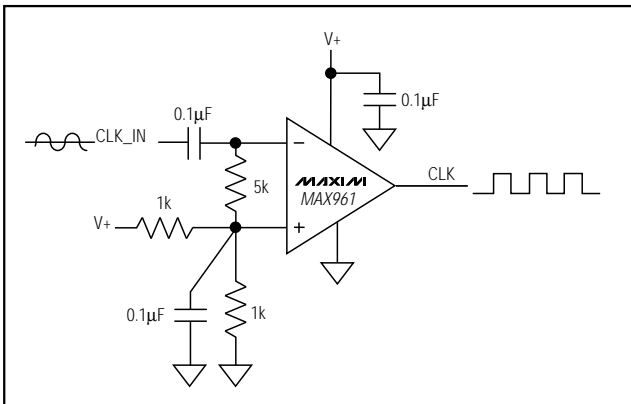


Figure 6. Clock Generation Circuit Using a Low-Noise Comparator

initiated by a positive pulse with a minimum width of four clock cycles, but no longer than about 17,400 clock cycles (Figure 8).

The ST\_CAL input may be asynchronous with the clock, since it is retimed internally. With ST\_CAL activated, END\_CAL goes low one or two clock cycles later and remains low until the calibration is complete. During this period, the reference voltages must be stable to less than 0.01%; otherwise the calibration will be invalid. During calibration, the analog inputs INP and INN are not used; however, better performance is achieved if these inputs are static. Once END\_CAL goes high (indicating that the calibration procedure is complete), the ADC is ready for conversion.

Once calibrated, the MAX1205 is insensitive to small changes (<5%) in power-supply voltage or temperature. Following calibration, if the temperature changes more than  $\pm 20^{\circ}\text{C}$ , the device should be recalibrated to maintain optimum performance.

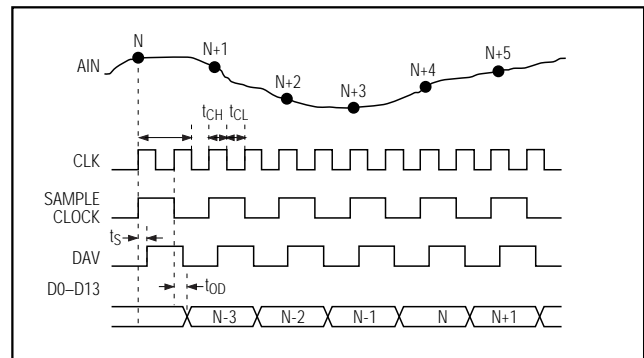


Figure 7. Main Timing Diagram

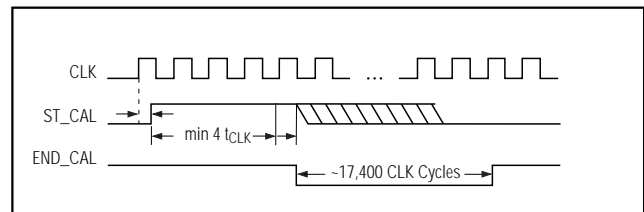


Figure 8. Timing for Start and End of Calibration

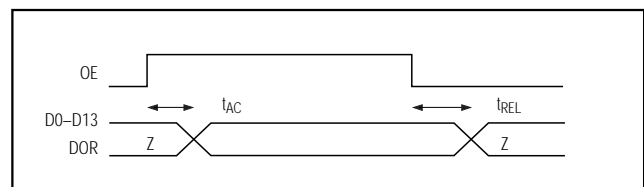


Figure 9. Timing for Bus Access and Bus Relinquish—Controlled by Output Enable (OE)

## +5V Single-Supply, 1MSPS, 14-Bit Self-Calibrating ADC

### Two's Complement Output

The MAX1205 outputs data in two's complement format. Table 1 shows how to convert the various full-scale inputs into their two's complement output codes.

### Applications Information

#### Signal-to-Noise Ratio (SNR)

For a waveform perfectly reconstructed from digital samples, the theoretical maximum SNR is the ratio of full-scale analog input (RMS value) to the RMS quantization error (residual error). The ideal, theoretical minimum analog-to-digital noise is caused by quantization error only and results directly from the ADC's resolution (N bits):

$$\text{SNR}_{(\text{MAX})} = (6.02N + 1.76)\text{dB}$$

In reality, there are other noise sources besides quantization noise including thermal noise, reference noise, clock jitter, etc. Therefore, SNR is computed by taking the ratio of the RMS signal to the RMS noise, which includes all spectral components minus the fundamental, the first nine harmonics, and the DC offset.

#### Signal-to-Noise Plus Distortion (SINAD)

SINAD is the ratio of the fundamental input frequency's RMS amplitude to all other ADC output signals:

$$\text{SINAD (dB)} = 20\log \left[ \frac{\text{Signal}_{\text{RMS}}}{(\text{Noise} + \text{Distortion})_{\text{RMS}}} \right]$$

#### Effective Number of Bits (ENOB)

ENOB indicates the global accuracy of an ADC at a specific input frequency and sampling rate. An ideal ADC's error consists of quantization noise only. With an input range equal to the full-scale range for the ADC,

the effective number of bits can be calculated as follows:

$$\text{ENOB} = (\text{SINAD} - 1.76) / 6.02$$

#### Total Harmonic Distortion (THD)

THD is the ratio of the RMS sum of the first nine harmonics of the input signal to the fundamental itself. This is expressed as:

$$\text{THD} = 20\log \left[ \frac{\sqrt{V_2^2 + V_3^2 + V_4^2 + \dots + V_9^2}}{V_1} \right]$$

where  $V_1$  is the fundamental amplitude, and  $V_2$  through  $V_9$  are the amplitudes of the 2nd through 9th order harmonics.

#### Spurious-Free Dynamic Range (SFDR)

SFDR is the ratio of RMS amplitude of the fundamental (maximum signal component) to the RMS value of the next largest spurious component, excluding DC offset.

#### Grounding and Power-Supply Decoupling

Grounding and power-supply decoupling strongly influence the performance of the MAX1205. At 14-bit resolution, unwanted digital crosstalk may couple through the input, reference, power-supply, and ground connections; this adversely affects the SNR or SFDR. In addition, electromagnetic interference (EMI) can either couple into or be generated by the MAX1205. Therefore, grounding and power-supply decoupling guidelines should be closely followed.

**Table 1. Two's Complement Conversion**

SCALE	OFFSET BINARY	TWO'S COMPLEMENT	ONE'S COMPLEMENT
+FSR - 1LSB	1111...1111	0111...1111	0111...1111
+3/4FSR	1110...0000	0110...0000	0110...0000
+1/2FSR	1100...0000	0100...0000	0100...0000
+1/4FSR	1010...0000	0010...0000	0010...0000
+0	1000...0000	0000...0000	0000...0000
-0	—	—	1111...1111
-1/4FSR	0110...0000	1110...0000	1101...1111
-1/2FSR	0100...0000	1100...0000	1011...1111
-3/4FSR	0010...0000	1010...0000	1001...1111
-FSR + 1LSB	0000...0001	1000...0001	1000...0000
-FSR	0000...0000	1000...0000	—

# +5V Single-Supply, 1MSPS, 14-Bit Self-Calibrating ADC

First, a multilayer printed circuit board (PCB) with separate ground and power-supply planes is recommended. Run high-speed signal traces directly above the ground plane. Since the MAX1205 has separate analog and digital ground buses (AGND and DGND respectively), the PCB should also have separate analog and digital ground sections connected at only one point (star ground). Digital signals should run above the digital ground plane and analog signals should run above the analog ground plane. Digital signals should be kept far away from the sensitive analog inputs, reference inputs, sense, common-mode input, and clock input.

The MAX1205 has three power-supply inputs: analog V<sub>DD</sub> (AV<sub>DD</sub>), digital V<sub>DD</sub> (DV<sub>DD</sub>), and drive V<sub>DD</sub> (DRV<sub>DD</sub>). Each AV<sub>DD</sub> input should be decoupled with parallel ceramic-chip capacitors of values 0.1µF and 0.001µF, with these capacitors as close to the pin as possible and with the shortest possible connection to the ground plane. The DV<sub>DD</sub> pins should also have separate 0.1µF capacitors adjacent to their respective pins, as should the DRV<sub>DD</sub> pin. Minimize the digital load capacitance. However, if the total load capacitance on each digital output exceeds 20pF, the DRV<sub>DD</sub> decoupling capacitor should be increased or, preferably, digital buffers should be added.

The power-supply voltages should be decoupled with large tantalum or electrolytic capacitors at the point they enter the PCB. Ferrite beads with additional

decoupling capacitors forming a pi-network may improve performance.

The analog power-supply input (AV<sub>DD</sub>) for the MAX1205 is typically +5V while the digital supplies can vary from +5V to +3V. Usually, DV<sub>DD</sub> and DRV<sub>DD</sub> pins are connected to the same power supply. Note that the DV<sub>DD</sub> supply voltage must be greater than or equal to the DRV<sub>DD</sub> voltage. For example, a digital +3.3V supply could be connected to DRV<sub>DD</sub> while a cleaner +5V supply is connected to DV<sub>DD</sub>, resulting in slightly improved performance. Alternatively, the +3.3V supply could be connected to both DRV<sub>DD</sub> and DV<sub>DD</sub>. However, the +3.3V supply should not be connected to DV<sub>DD</sub> while the +5V supply is connected to DRV<sub>DD</sub> (Table 2).

**Table 2. Power-Supply Voltage Combinations**

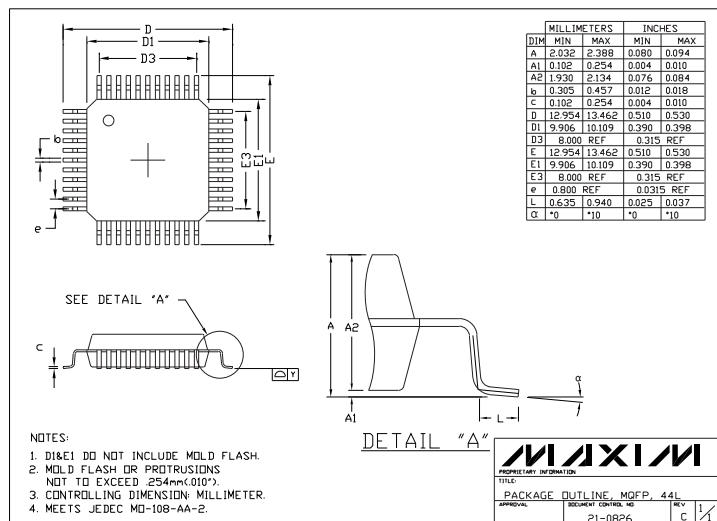
AV <sub>DD</sub> (V)	DV <sub>DD</sub> (V)	DRV <sub>DD</sub> (V)	ALLOWED/NOT ALLOWED
+5	+5	+5	Allowed
+5	+5	+3.3	Allowed
+5	+3.3	+3.3	Allowed
+5	+3.3	+5	Not Allowed

## Chip Information

TRANSISTOR COUNT: 56,577

SUBSTRATE CONNECTED TO: AGND

## Package Information



Maxim cannot assume responsibility for use of any circuitry other than circuitry entirely embodied in a Maxim product. No circuit patent licenses are implied. Maxim reserves the right to change the circuitry and specifications without notice at any time.

12 Maxim Integrated Products, 120 San Gabriel Drive, Sunnyvale, CA 94086 408-737-7600