

MAXIM**Multirange, +5V, 8-Channel,
Serial 12-Bit ADCs****General Description**

The MAX1270/MAX1271 are multirange, 12-bit data-acquisition systems (DAS) that require only a single +5V supply for operation, yet accept signals at their analog inputs that may span above the power-supply rail and below ground. These systems provide eight analog input channels that are independently software programmable for a variety of ranges: $\pm 10V$, $\pm 5V$, 0 to +10V, 0 to +5V for the MAX1270; $\pm V_{REF}$, $\pm V_{REF}/2$, 0 to V_{REF} , 0 to $V_{REF}/2$ for the MAX1271. This range switching increases the effective dynamic range to 14 bits and provides the flexibility to interface 4–20mA, $\pm 12V$, and $\pm 15V$ powered sensors directly to a single +5V system. In addition, these converters are fault protected to $\pm 16.5V$; a fault condition on any channel will **not** affect the conversion result of the selected channel. Other features include a 5MHz bandwidth track/hold, software-selectable internal/external clock, 110ksps throughput rate, and internal 4.096V or external reference operation.

The MAX1270/MAX1271 serial interface directly connects to SPI™/QSPI™ and MICROWIRE™ devices without external logic.

A hardware shutdown input (\overline{SHDN}) and two software-programmable power-down modes, standby (STBYPD) or full power-down (FULLPD), are provided for low-current shutdown between conversions. In standby mode, the reference buffer remains active, eliminating start-up delays.

The MAX1270/MAX1271 are available in 24-pin narrow DIP or space-saving 28-pin SSOP packages.

Applications

Industrial Control Systems
Data-Acquisition Systems
Robotics
Automatic Testing
Battery-Powered Instruments
Medical Instruments

Ordering Information

PART	TEMP. RANGE	PIN-PACKAGE	INL (LSB)
MAX1270ACNG	0°C to +70°C	24 Narrow Plastic DIP	$\pm 1/2$
MAX1270BCNG	0°C to +70°C	24 Narrow Plastic DIP	± 1
MAX1270ACAI	0°C to +70°C	28 SSOP	$\pm 1/2$
MAX1270BCAI	0°C to +70°C	28 SSOP	± 1

Ordering Information continued at end of data sheet.

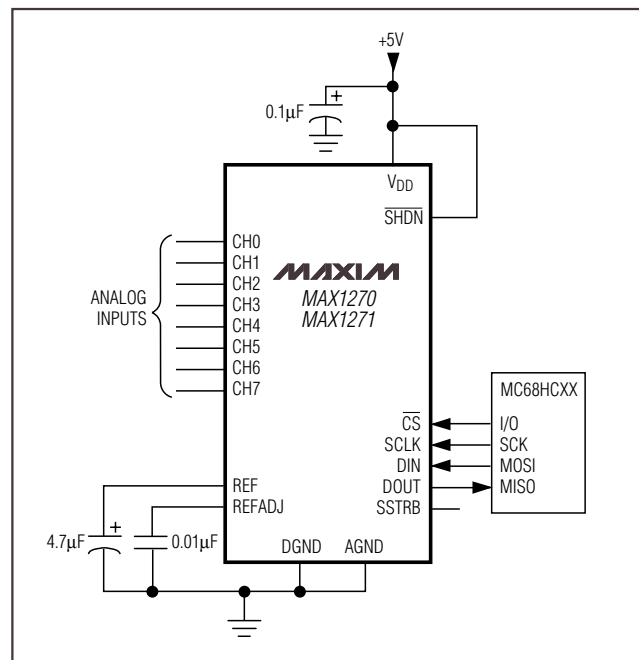
MAXIM

Maxim Integrated Products 7-169

For free samples & the latest literature: <http://www.maxim-ic.com>, or phone 1-800-998-8800.
For small orders, phone 1-800-835-8769.

Features

- ◆ 12-Bit Resolution, 1/2LSB Linearity
- ◆ +5V Single-Supply Operation
- ◆ SPI/QSPI and MICROWIRE-Compatible 3-Wire Interface
- ◆ Four Software-Selectable Input Ranges
MAX1270: 0 to +10V, 0 to +5V, $\pm 10V$, $\pm 5V$
MAX1271: 0 to V_{REF} , 0 to $V_{REF}/2$, $\pm V_{REF}$, $\pm V_{REF}/2$
- ◆ Eight Analog Input Channels
- ◆ 110ksps Sampling Rate
- ◆ $\pm 16.5V$ Overvoltage-Tolerant Input Multiplexer
- ◆ Internal 4.096V or External Reference
- ◆ Two Power-Down Modes
- ◆ Internal or External Clock
- ◆ 24-Pin Narrow DIP or 28-Pin SSOP Packages

Typical Operating Circuit

Pin Configurations appear at end of data sheet.

SPI and QSPI are trademarks of Motorola, Inc.

MICROWIRE is a trademark of National Semiconductor Corp.

MAX1270/MAX1271

Multirange, +5V, 8-Channel, Serial 12-Bit ADCs

ABSOLUTE MAXIMUM RATINGS

V _{DD} to AGND	-0.3V to +6V
AGND to DGND	-0.3V to +0.3V
CH0-CH7 to AGND	±16.5V
REF, REFADJ to AGND	-0.3V to (V _{DD} + 0.3V)
SSTRB, DOUT to DGND	-0.3V to (V _{DD} + 0.3V)
SHDN, CS, DIN, SCLK to DGND	-0.3V to +6V
Max Current into Any Pin	50mA
Continuous Power Dissipation (T _A = +70°C)	
24-Pin Narrow DIP (derate 13.33mW/°C above +70°C)	1067mW
28-Pin SSOP (derate 9.52mW/°C above +70°C)	762mW

Operating Temperature Ranges	
MAX127_C_	0°C to +70°C
MAX127_E_	-40°C to +85°C
Storage Temperature Range	-65°C to +150°C
Lead Temperature (soldering, 10sec)	+300°C

Stresses beyond those listed under "Absolute Maximum Ratings" may cause permanent damage to the device. These are stress ratings only, and functional operation of the device at these or any other conditions beyond those indicated in the operational sections of the specifications is not implied. Exposure to absolute maximum rating conditions for extended periods may affect device reliability.

ELECTRICAL CHARACTERISTICS

(V_{DD} = +5.0V ±5%; unipolar/bipolar range; external reference mode, V_{REF} = +4.096V; 4.7μF at REF; external clock, f_{CLK} = 2.0MHz (50% duty cycle), 18 clock/conversion cycle, 110ksps; T_A = T_{MIN} to T_{MAX}; unless otherwise noted. Typical values are T_A = +25°C.)

PARAMETERS	SYMBOL	CONDITIONS	MIN	TYP	MAX	UNITS
ACCURACY (Note 1)						
Resolution			12			bits
Integral Nonlinearity	INL	MAX127_A			±0.5	LSB
		MAX127_B			±1.0	
Differential Nonlinearity	DNL	No missing codes over temperature			±1	LSB
Offset Error	Unipolar	MAX127_A			±3	LSB
		MAX127_B			±5	
	Bipolar	MAX127_A			±5	
		MAX127_B			±10	
Channel-to-Channel Offset Error Matching	Unipolar			±0.1	LSB	
	Bipolar			±0.3		
Gain Error (Note 2)	Unipolar	MAX127_A			±7	LSB
		MAX127_B			±10	
	Bipolar	MAX127_A			±7	
		MAX127_B			±10	
Gain Error Temperature Coefficient (Note 2)	Unipolar, external reference			±3	ppm/°C	
	Bipolar, external reference			±5		
DYNAMIC SPECIFICATIONS (10kHz sine-wave input, ±10Vp-p (MAX1270), or ±4.096Vp-p (MAX1271), f _{SAMPLE} = 110ksps)						
Signal-to-Noise + Distortion Ratio	SINAD		70			dB
Total Harmonic Distortion	THD	Up to the 5th harmonic		-87	-78	dB
Spurious-Free Dynamic Range	SFDR		80			dB
Channel-to-Channel Crosstalk		50kHz (Note 3)		-86		dB
		DC, V _{IN} = ±16.5V		-96		
Aperture Delay		External clock mode		15		ns
Aperture Jitter		External clock mode		<50		ps
		Internal clock mode		10		ns

Multirange, +5V, 8-Channel, Serial 12-Bit ADCs

MAX1270/MAX1271

ELECTRICAL CHARACTERISTICS (continued)

($V_{DD} = +5.0V \pm 5\%$; unipolar/bipolar range; external reference mode, $V_{REF} = +4.096V$; $4.7\mu F$ at REF; external clock, $f_{CLK} = 2.0MHz$ (50% duty cycle), 18 clock/conversion cycle, 110ksp/s; $T_A = T_{MIN}$ to T_{MAX} ; unless otherwise noted. Typical values are $T_A = +25^\circ C$.)

PARAMETERS	SYMBOL	CONDITIONS		MIN	TYP	MAX	UNITS
ANALOG INPUT							
Track/Hold Acquisition Time	t_{ACQ}	$f_{CLK} = 2.0MHz$				3	μs
Small-Signal Bandwidth		-3dB rolloff	$\pm 10V$ or $\pm V_{REF}$ range		5		MHz
			$\pm 5V$ or $\pm V_{REF}/2$ range		2.5		
			0 to 10V or 0 to V_{REF} range		2.5		
			0 to 5V or 0 to $V_{REF}/2$ range		1.25		
Input Voltage Range	V_{IN}	Unipolar (BIP = 0), Table 3	MAX1270	RNG = 1	0	10	V
				RNG = 0	0	5	
		MAX1271	RNG = 1	0	V_{REF}		
			RNG = 0	0	$V_{REF}/2$		
		Bipolar (BIP = 1), Table 3	MAX1270	RNG = 1	-10	10	
				RNG = 0	-5	5	
MAX1271	RNG = 1	$-V_{REF}$	V_{REF}				
RNG = 0	$-V_{REF}/2$	$V_{REF}/2$					
Input Current	I_{IN}	Unipolar	MAX1270	0 to 10V range	-10	720	μA
				0 to 5V range	-10	360	
		MAX1271		-10	0.1	10	
		Bipolar	MAX1270	$\pm 10V$ range	-1200	720	
				$\pm 5V$ range	-600	360	
			MAX1271	$\pm V_{REF}$ range	-1200	10	
				$\pm V_{REF}/2$ range	-600	10	
Dynamic Resistance	$\Delta V_{IN}/\Delta I_{IN}$	Unipolar			21		$k\Omega$
		Bipolar			16		
Input Capacitance		(Note 4)				40	pF
INTERNAL REFERENCE							
REF Output Voltage	V_{REF}	$T_A = +25^\circ C$		4.076	4.096	4.116	V
REF Output Tempco	$TC V_{REF}$	MAX1270_C/MAX1271_C		± 15			ppm/ $^\circ C$
		MAX1270_E/MAX1271_E		± 30			
Output Short Circuit Current						30	mA
Load Regulation (Note 5)		0 to 0.5mA output current				10	mV
Capacitive Bypass at REF				4.7			μF
Capacitive Bypass at REFADJ				0.01			μF
REFADJ Output Voltage				2.465	2.500	2.535	V
REFADJ Adjustment Range		Figure 1			± 1.5		%
Buffer Voltage Gain					1.638		V/V
REFERENCE INPUT (Reference buffer disabled, reference input applied to REF)							
Input Voltage Range				2.40		4.18	V
Input Current		$V_{REF} = 4.18V$	Normal or STBYPD			400	μA
			FULLPD			1	

Multirange, +5V, 8-Channel, Serial 12-Bit ADCs

ELECTRICAL CHARACTERISTICS (continued)

($V_{DD} = +5.0V \pm 5\%$; unipolar/bipolar range; external reference mode, $V_{REF} = +4.096V$; $4.7\mu F$ at REF; external clock, $f_{CLK} = 2.0MHz$ (50% duty cycle), 18 clock/conversion cycle, 110ksp/s; $T_A = T_{MIN}$ to T_{MAX} ; unless otherwise noted. Typical values are $T_A = +25^\circ C$.)

PARAMETERS	SYMBOL	CONDITIONS		MIN	TYP	MAX	UNITS
Input Resistance		$V_{REF} = 4.18V$	Normal or STBYPD	10			$k\Omega$
			FULLPD	4.18			$M\Omega$
REFADJ Threshold for Buffer Disable				$V_{DD} - 0.5$			V
POWER REQUIREMENT							
Supply Voltage	V_{DD}			4.75		5.25	V
Supply Current	I_{DD}	Normal	Bipolar range			18	mA
			Unipolar range		6	10	
		STBYPD power down mode (Note 6)			700	850	μA
		FULLPD power down mode			120	220	
Power-Supply Rejection Ratio (Note 7)	PSRR	External reference = 4.096V			± 0.1	± 0.5	LSB
		Internal reference			± 0.5		
TIMING							
External Clock Frequency Range	f_{CLK}			0.1		2.0	MHz
Acquisition Phase		External clock mode (Note 8)		3			μs
		Internal clock mode, Figure 9		3	5		
Conversion Time	t_{CONV}	External clock mode (Note 8)		6			μs
		Internal clock mode, Figure 9		6	7.7	11	
Throughput Rate		External clock mode				110	ksp/s
		Internal clock mode				43	
Bandgap Reference Start-Up Time (Note 9)		Power-up			200		μs
Reference Buffer Settling Time		To 0.1mV, REF bypass capacitor fully discharged	$C_{REF} = 4.7\mu F$		8		ms
			$C_{REF} = 33\mu F$		60		
DIGITAL INPUTS: DIN, SCLK, CS, SHDN							
Input High Threshold Voltage	V_{IH}					2.4	V
Input Low Threshold Voltage	V_{IL}			0.8			V
Input Hysteresis	V_{HYS}				0.2		V
Input Leakage Current	I_{IN}	$V_{IN} = 0$ to V_{DD}		-10		10	μA
Input Capacitance	C_{IN}	(Note 4)				15	pF
DIGITAL OUTPUTS: DOUT, SSTRB							
Output Voltage Low	V_{OL}	$I_{SINK} = 5mA$				0.4	V
		$I_{SINK} = 16mA$			0.4		
Output Voltage High	V_{OH}	$I_{SOURCE} = 0.5mA$		$V_{DD} - 0.5$			V
Three-State Leakage Current	I_L	$\overline{CS} = V_{DD}$		-10		10	μA
Three-State Output Capacitance	C_{OUT}	$\overline{CS} = V_{DD}$ (Note 4)				15	pF

Multirange, +5V, 8-Channel, Serial 12-Bit ADCs

MAX1270/MAX1271

TIMING CHARACTERISTICS

($V_{DD} = +4.75V$ to $+5.25V$; unipolar/bipolar range; external reference mode, $V_{REF} = +4.096V$; $4.7\mu F$ at REF; external clock, $f_{CLK} = 2MHz$; $T_A = T_{MIN}$ to T_{MAX} , unless otherwise noted. Typical values are $T_A = +25^\circ C$.) (Figures 2, 5, 7, 10)

PARAMETERS	SYMBOL	CONDITIONS	MIN	TYP	MAX	UNITS
DIN to SCLK Setup	t_{DS}		100			ns
DIN to SCLK Hold	t_{DH}				0	ns
SCLK Fall to Output Data Valid	t_{DO}	$C_{LOAD} = 100pF$	20		170	ns
\overline{CS} Fall to Output Enable	t_{DV}	$C_{LOAD} = 100pF$			120	ns
\overline{CS} Rise to Output Disable	t_{TR}	$C_{LOAD} = 100pF$			100	ns
\overline{CS} to SCLK Rise Setup	t_{CSS}		100			ns
\overline{CS} to SCLK Rise Hold	t_{CSH}		0			ns
SCLK Pulse Width High	t_{CH}		200			ns
SCLK Pulse Width Low	t_{CL}		200			ns
SCLK Fall to SSTRB	t_{SSTRB}	$C_{LOAD} = 100pF$			200	ns
\overline{CS} to SSTRB Output Enable	t_{SDV}	$C_{LOAD} = 100pF$ External clock mode only			200	ns
\overline{CS} to SSTRB Output Disable	t_{STR}	$C_{LOAD} = 100pF$ External clock mode only			200	ns
SSTRB Rise to SCLK Rise (Note 4)	t_{SCK}	Internal clock mode only	0			ns

Note 1: Accuracy specifications tested at $V_{DD} = +5.0V$. Performance at power-supply tolerance limit is guaranteed by Power-Supply Rejection test.

Note 2: External reference: $V_{REF} = 4.096V$, offset error nulled. Ideal last-code transition = $FS - 3/2LSB$.

Note 3: Ground "on" channel; sine wave applied to all "off" channels. $V_{IN} = \pm 5V$ (MAX1270), $V_{IN} = \pm 4V$ (MAX1271).

Note 4: Guaranteed by design, not production tested.

Note 5: Use static external loads during conversion for specified accuracy.

Note 6: Tested using internal reference.

Note 7: PSRR measured at full scale. Tested for the $\pm 10V$ (MAX1270) and $\pm 4.096V$ (MAX1271) input ranges.

Note 8: Acquisition phase and conversion time are dependent on the clock period; clock has 50% duty cycle (Figure 6).

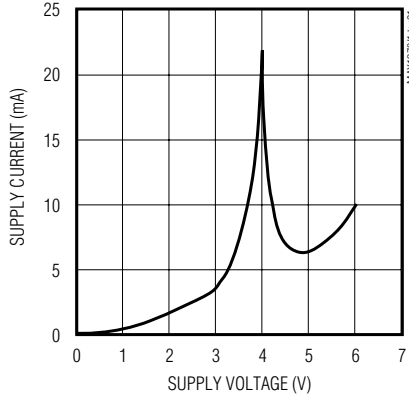
Note 9: Not production tested. Provided for design guidance only.

Multirange, +5V, 8-Channel, Serial 12-Bit ADCs

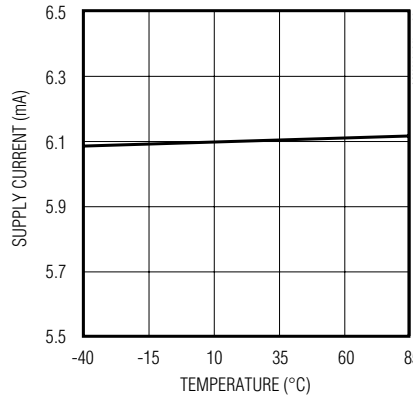
Typical Operating Characteristics

(Typical Operating Circuit, $V_{DD} = +5V$; external reference mode, $V_{REF} = +4.096V$; $4.7\mu F$ at REF; external clock, $f_{CLK} = 2MHz$; $110ksp/s$; $T_A = +25^\circ C$; unless otherwise noted.)

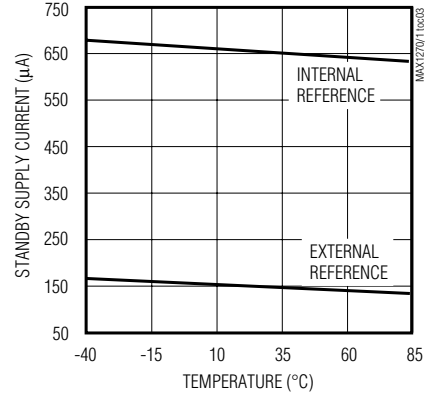
SUPPLY CURRENT vs. SUPPLY VOLTAGE



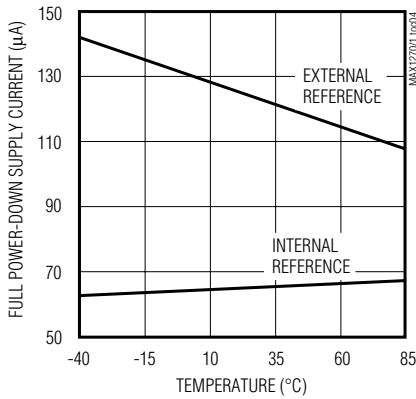
SUPPLY CURRENT vs. TEMPERATURE



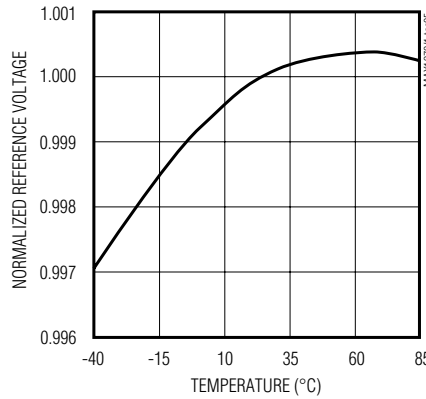
STANDBY SUPPLY CURRENT vs. TEMPERATURE



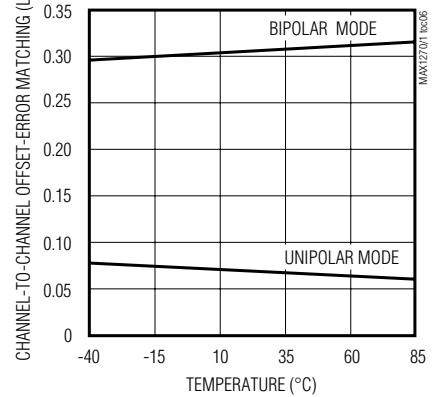
FULL POWER-DOWN SUPPLY CURRENT vs. TEMPERATURE



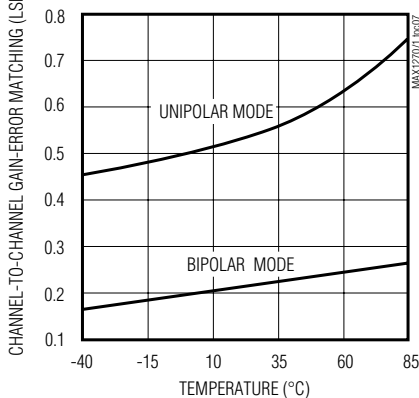
NORMALIZED REFERENCE VOLTAGE vs. TEMPERATURE



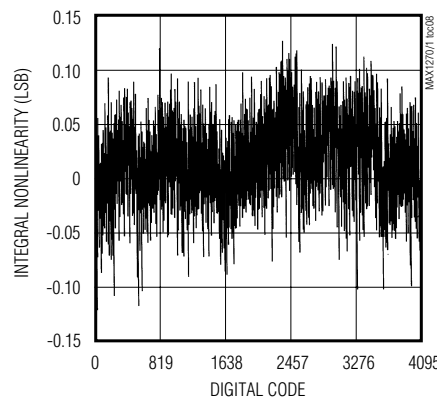
CHANNEL-TO-CHANNEL OFFSET-ERROR MATCHING vs. TEMPERATURE



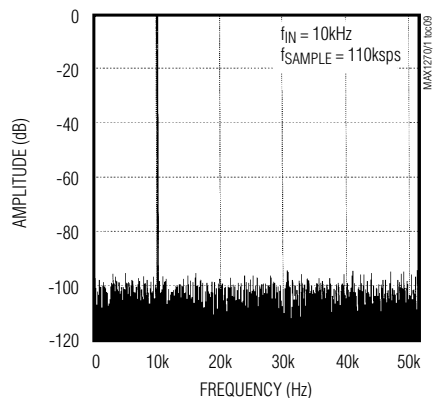
CHANNEL-TO-CHANNEL GAIN-ERROR MATCHING vs. TEMPERATURE



INTEGRAL NONLINEARITY vs. DIGITAL CODE



FTT PLOT

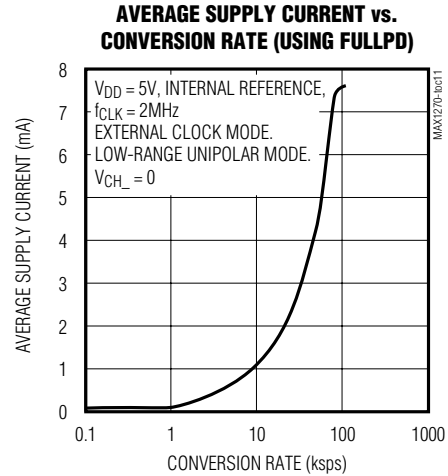
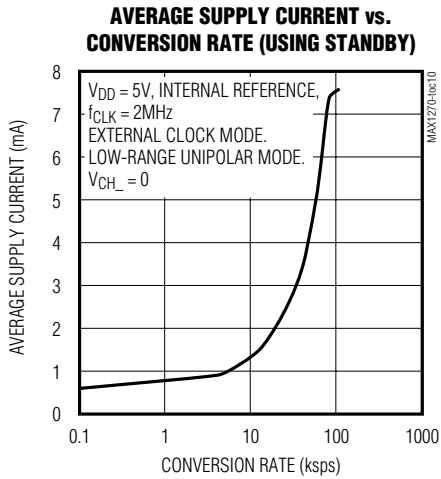


Multirange, +5V, 8-Channel, Serial 12-Bit ADCs

MAX1270/MAX1271

Typical Operating Characteristics (continued)

(Typical Operating Circuit, $V_{DD} = +5V$; external reference mode, $V_{REF} = +4.096V$; $4.7\mu F$ at REF; external clock, $f_{CLK} = 2MHz$; 110ksps; $T_A = +25^\circ C$; unless otherwise noted.)



Pin Description

PIN		NAME	FUNCTION
DIP	SSOP		
1	1	V_{DD}	+5V Supply. Bypass with a $0.1\mu F$ capacitor to AGND.
2, 4	2, 3	DGND	Digital Ground
3, 9, 22, 24	4, 7, 8, 11, 22, 24, 25, 28	N.C.	No Connect. No internal connection.
5	5	SCLK	Serial Clock Input. Clocks data in and out of serial interface. In external clock mode, SCLK also sets the conversion speed.
6	6	\overline{CS}	Active-Low Chip-Select Input. Data is not clocked into DIN unless \overline{CS} is low. When \overline{CS} is high, DOUT is high impedance.
7	9	DIN	Serial Data Input. Data is clocked in on the rising edge of SCLK.
8	10	SSTRB	Serial Strobe Output. In internal clock mode, SSTRB goes low after the falling edge of the eighth SCLK and returns high when conversion is done. In external clock mode, SSTRB pulses high for one clock period before the MSB decision. High impedance when \overline{CS} is high in external clock mode.
10	12	DOUT	Serial Data Output. Data is clocked out on the falling edge of SCLK. High impedance when \overline{CS} is high.
11	13	\overline{SHDN}	Shutdown Input. When low, device is in FULLPD mode. Connect high for normal operation.
12	14	AGND	Analog Ground
13–20	15–21, 23	CH0–CH7	Analog Input Channels
21	26	REFADJ	Bandgap Voltage-Reference Output/External Adjust Pin. Bypass with a $0.01\mu F$ capacitor to AGND. Connect to V_{DD} when using an external reference at REF.
23	27	REF	Reference-Buffer Output/ADC Reference Input. In internal reference mode, the reference buffer provides a 4.096V nominal output, externally adjustable at REFADJ. In external reference mode, disable the internal reference by pulling REFADJ to V_{DD} and applying the external reference to REF.

Multirange, +5V, 8-Channel, Serial 12-Bit ADCs

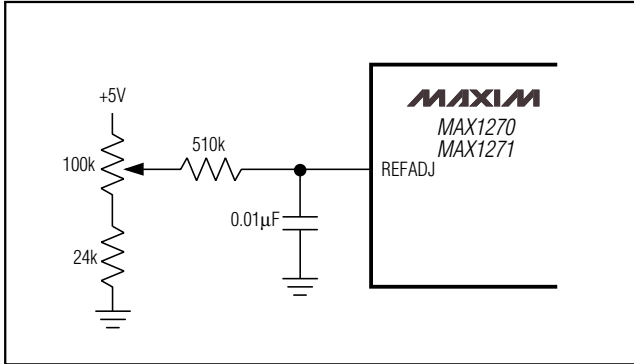


Figure 1. Reference-Adjust Circuit

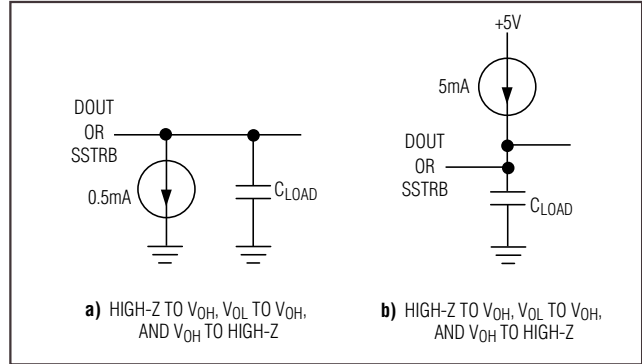


Figure 2. Output Load Circuit for Timing Characteristics

Detailed Description

Converter Operation

The MAX1270/MAX1271 multirange, fault-tolerant ADCs use successive approximation and internal track/hold (T/H) circuitry to convert an analog signal to a 12-bit digital output. Figure 3 shows the block diagram of the MAX1270/MAX1271.

Analog-Input Track/Hold

The T/H enters tracking/acquisition mode on the falling edge of the sixth clock in the 8-bit input control word, and enters hold/conversion mode when the timed acquisition interval (six clock cycles, 3µs minimum) ends. In internal clock mode, the acquisition is timed by two external clock cycles and four internal clock cycles. When operating in bipolar (MAX1270 and MAX1271) or

unipolar mode (MAX1270) the signal applied at the input channel is rescaled through the resistor-divider network formed by R1, R2, and R3 (Figure 4); a low-impedance (<4Ω) input source is recommended to minimize gain error. When the MAX1271 is configured for unipolar mode, the channel input resistance (R_{IN}) becomes a fixed 5.12kΩ (typ). Source impedances below 15kΩ (0 to V_{REF}) and 5kΩ (0 to V_{REF}/2) do not significantly affect the AC performance of the ADC.

The acquisition time (t_{ACQ}) is a function of the source output resistance, the channel input resistance, and the T/H capacitance. Higher source impedances can be used if an input capacitor is connected between the analog inputs and AGND. Note that the input capacitor forms an RC filter with the input source impedance, limiting the ADC's signal bandwidth.

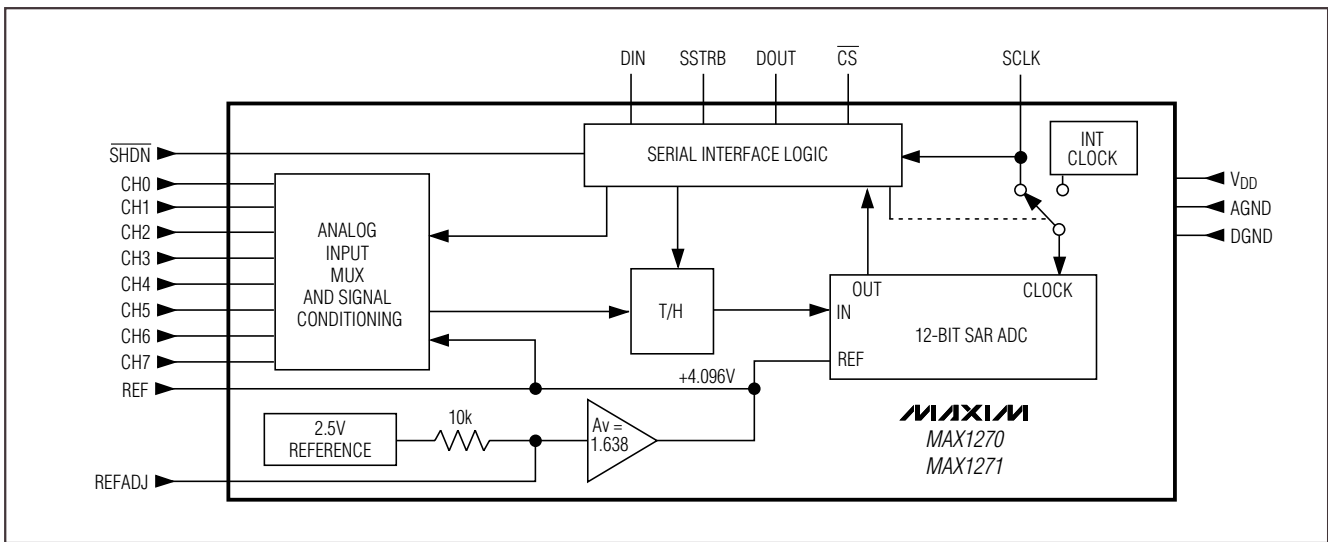


Figure 3. Block Diagram

Multirange, +5V, 8-Channel, Serial 12-Bit ADCs

MAX1270/MAX1271

Input Bandwidth

The ADC's input small-signal bandwidth depends on the selected input range and varies from 1.5MHz to 5MHz (see *Electrical Characteristics*). The MAX1270/MAX1271 maximum sampling rate is 110ksps. By using undersampling techniques, it is possible to digitize high-speed transient events and measure periodic signals with bandwidths exceeding the ADC's sampling rate.

To avoid high-frequency signals being aliased into the frequency band of interest, anti-aliasing filtering is recommended.

Input Range and Protection

The MAX1270/MAX1271 have software-selectable input ranges. Each analog input channel can be independently programmed to one of four ranges by setting the appropriate control bits (RNG, BIP) in the control byte (Table 1). The MAX1270 has selectable input ranges extending to $\pm 10V$ ($\pm V_{REF} \cdot 2.441$), while the MAX1271 has selectable input ranges extending to $\pm V_{REF}$. Figure 4 shows the equivalent input circuit.

A resistor network on each analog input provides $\pm 16.5V$ fault protection for all channels. Whether or not the channel is on, this circuit limits the current going into or out of the pin to less than 2mA. This provides an added layer of protection when momentary overvoltages occur at the selected input channel, when a negative signal is applied to the input, and when the device is configured for unipolar mode. The overvoltage protection is active even if the device is in power-down mode or if $V_{DD} = 0$.

Digital Interface

The MAX1270/MAX1271 feature a serial interface that is fully compatible with SPI/QSPI and MICROWIRE devices. For SPI/QSPI, set $C_{POL} = 0$, $C_{PHA} = 0$ in the SPI control registers of the microcontroller. Figure 5 shows detailed serial interface timing information. Refer to Table 1 for programming the input control byte.

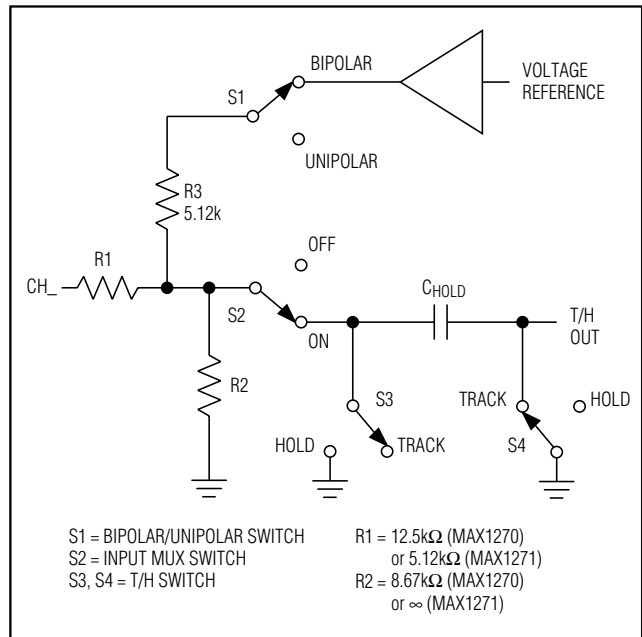


Figure 4. Equivalent Input Circuit

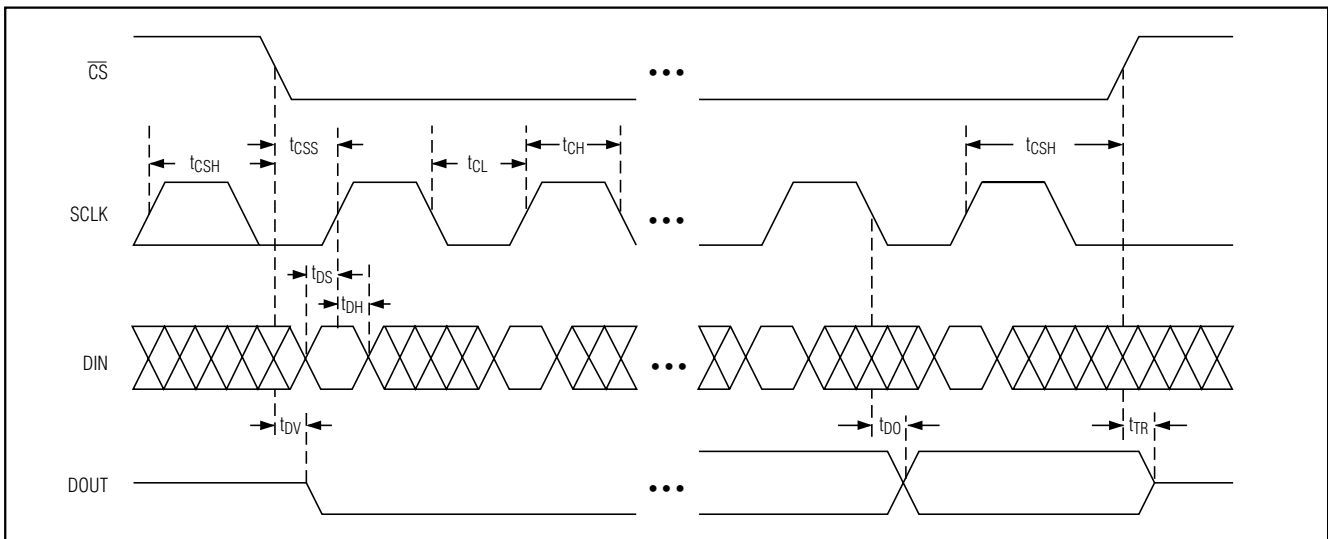


Figure 5. Detailed Serial-Interface Timing

Multirange, +5V, 8-Channel, Serial 12-Bit ADCs

Table 1. Control-Byte Format

Bit 7 (MSB)	Bit 6	Bit 5	Bit 4	Bit 3	Bit 2	Bit 1	Bit 0 (LSB)
START	SEL2	SEL1	SEL0	RNG	BIP	PD1	PD0
BIT	NAME	DESCRIPTION					
7 (MSB)	START	First logic "1" after \overline{CS} goes low defines the beginning of the control byte.					
6, 5, 4	SEL2, SEL1, SEL0	These three bits select the desired "on" channel (Table 2).					
3	RNG	Selects the full-scale input voltage range (Table 3).					
2	BIP	Selects unipolar or bipolar conversion mode (Table 3).					
1, 0 (LSB)	PD1, PD0	Select clock and power-down modes (Table 4).					

Table 2. Channel Selection

SEL2	SEL1	SEL0	CHANNEL
0	0	0	CH0
0	0	1	CH1
0	1	0	CH2
0	1	1	CH3
1	0	0	CH4
1	0	1	CH5
1	1	0	CH6
1	1	1	CH7

Table 4. Power Down and Clock Selection

PD1	PD0	MODE
0	0	Normal Operation (always on), Internal Clock Mode
0	1	Normal Operation (always on), External Clock Mode
1	0	Standby Power-Down Mode (STBYPD), Clock Mode Unaffected
1	1	Full Power-Down Mode (FULLPD), Clock Mode Unaffected

Table 3. Range and Polarity Selection for MAX1270/MAX1271

RANGE AND POLARITY SELECTION FOR MAX1270					
INPUT RANGE	RNG	BIP	NEGATIVE FULL SCALE	ZERO SCALE (V)	FULL SCALE
0 to 5V	0	0	—	0	$V_{REF} \cdot 1.2207$
0 to 10V	1	0	—	0	$V_{REF} \cdot 2.4414$
$\pm 5V$	0	1	$-V_{REF} \cdot 1.2207$	0	$V_{REF} \cdot 1.2207$
$\pm 10V$	1	1	$-V_{REF} \cdot 2.4414$	0	$V_{REF} \cdot 2.4414$
RANGE AND POLARITY SELECTION FOR MAX1271					
INPUT RANGE	RNG	BIP	NEGATIVE FULL SCALE	ZERO SCALE (V)	FULL SCALE
0 to $V_{REF}/2$	0	0	—	0	$V_{REF}/2$
0 to V_{REF}	1	0	—	0	V_{REF}
$\pm V_{REF}/2$	0	1	$-V_{REF}/2$	0	$V_{REF}/2$
$\pm V_{REF}$	1	1	$-V_{REF}$	0	V_{REF}

Multirange, +5V, 8-Channel, Serial 12-Bit ADCs

Input Data Format

Input data (control byte) is clocked in at DIN at the rising edge of SCLK. \overline{CS} enables communication with the MAX1270/MAX1271. After \overline{CS} falls, the first arriving logic "1" bit represents the start bit (MSB) of the input control byte. The start bit is defined as:

The first high bit clocked into DIN with \overline{CS} low anytime the converter is idle; e.g., after V_{DD} is applied.

OR

The first high bit clocked into DIN after bit 6 (D6) of a conversion in progress is clocked onto DOUT.

Output Data Format

Output data is clocked out on the falling edge of SCLK at DOUT, MSB first (D11). In unipolar mode, the output is straight binary. For bipolar mode, the output is two's-complement binary. For output binary codes, refer to the *Transfer Function* section.

How to Start a Conversion

The MAX1270/MAX1271 use either an external serial clock or the internal clock to complete an acquisition and perform a conversion. In both clock modes, the external clock shifts data in and out. Refer to Table 4 for programming clock modes.

The falling edge of \overline{CS} does not start a conversion on the MAX1270/MAX1271; a control byte is required for each conversion. Acquisition starts after the sixth bit is programmed in the input control byte. Conversion starts when the acquisition time, six clock cycles, expires.

Keep \overline{CS} low during successive conversions. If a start-bit is received after \overline{CS} transitions from high to low, but before the output bit 6 (D6) becomes available, the current conversion will terminate and a new conversion will begin.

External Clock Mode (PD1 = 0, PD0 = 1)

In external clock mode, the clock shifts data in and out of the MAX1270/MAX1271 and controls the acquisition and conversion timings. When acquisition is done, SSTRB pulses high for one clock cycle and conversion begins. Successive-approximation bit decisions appear at DOUT on each of the next 12 SCLK falling edges (Figure 6). Additional SCLK falling edges will result in zeros appearing at DOUT. Figure 7 shows the SSTRB timing in external clock mode.

SSTRB and DOUT go into a high-impedance state when \overline{CS} goes high; after the next \overline{CS} falling edge, SSTRB and DOUT will output a logic low.

The conversion must be completed in some minimum time, or droop on the sample-and-hold capacitors may degrade conversion results. Use internal clock mode if the clock period exceeds 10 μ s, or if serial-clock interruptions could cause the conversion interval to exceed 120 μ s. The fastest the MAX1270/MAX1271 can run is 18 clocks per conversion in external clock mode, and with a clock rate of 2MHz, the maximum sampling rate is 111 kpsps (Figure 8). In order to achieve maximum throughput, keep \overline{CS} low, use external clock mode with a continuous SCLK, and start the following control byte after bit 6 (D6) of the conversion in progress is clocked onto DOUT.

If \overline{CS} is low and SCLK is continuous, guarantee a start bit by first clocking in 18 zeros.

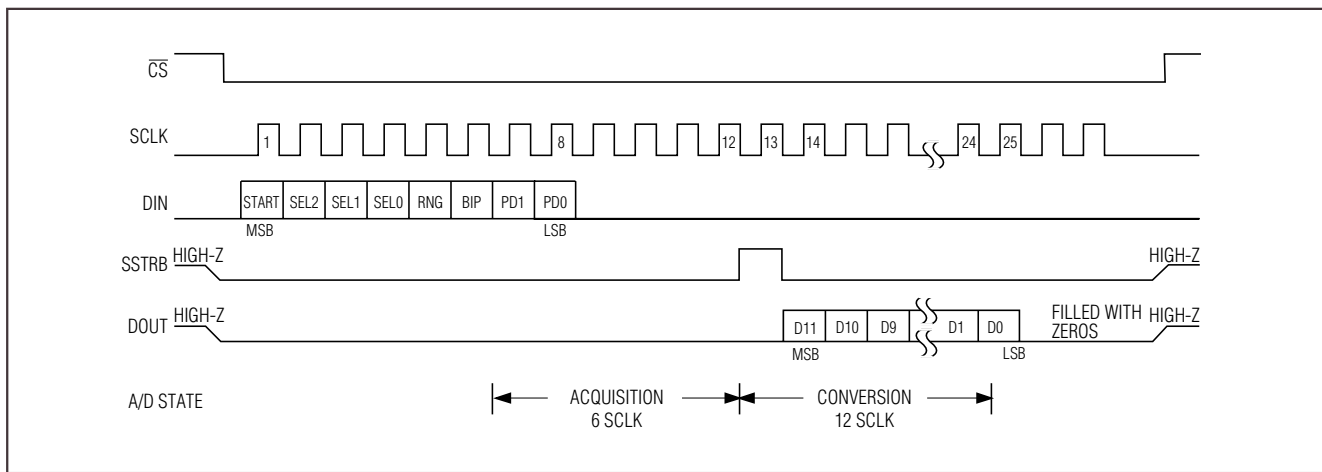


Figure 6. External Clock Mode, 25 Clocks/Conversion Timing

Multirange, +5V, 8-Channel, Serial 12-Bit ADCs

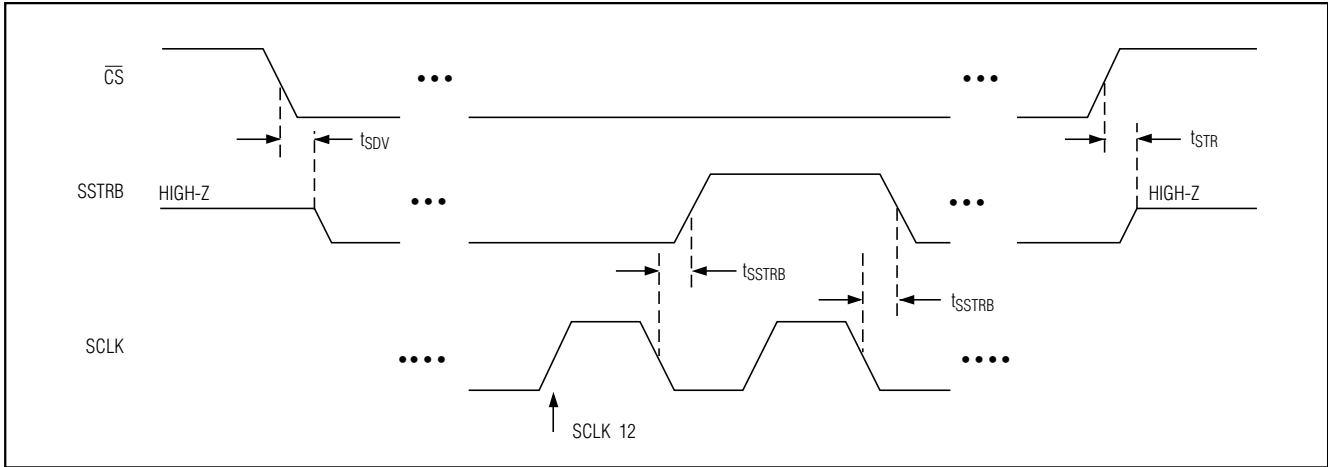


Figure 7. External Clock Mode SSTRB Detailed Timing

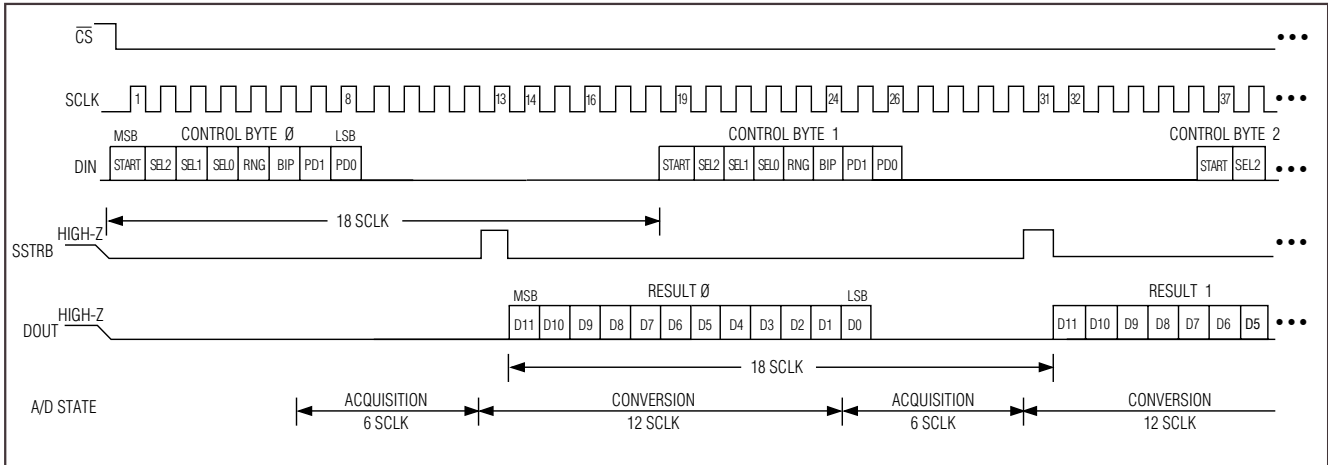


Figure 8. External Clock Mode, 18 Clocks/Conversion Timing

Internal Clock Mode (PD1 = 0, PD0 = 0)

In internal clock mode, the MAX1270/MAX1271 generate their conversion clock internally. This frees the microprocessor from the burden of running the acquisition and the SAR conversion clock, and allows the conversion results to be read back at the processor's convenience, at any clock rate from 0 to typically 10MHz.

SSTRB goes low after the falling edge of the last bit (PDO) of the control byte has been shifted in, and returns high when the conversion is complete. Acquisition is completed and conversion begins on the falling edge of the 4th internal clock pulse after the control byte; conversion ends on the falling edge of the

16th internal clock pulse (12 internal clock cycle pulses are used for conversion). SSTRB will remain low for a maximum of 15 μ s, during which time SCLK should remain low for best noise performance. An internal register stores data while the conversion is in progress. The MSB of the result byte (D11) is present at DOUT starting at the falling edge of the last internal clock of conversion. Successive falling edges of SCLK will shift the remaining data out of this register (Figure 9). Additional SCLK edges will result in zeros on DOUT.

When internal clock mode is selected, SSTRB does not go into a high-impedance state when CS goes high. Pulling CS high prevents data from being clocked in and three-states DOUT, but does not adversely affect a

Multirange, +5V, 8-Channel, Serial 12-Bit ADCs

MAX1270/MAX1271

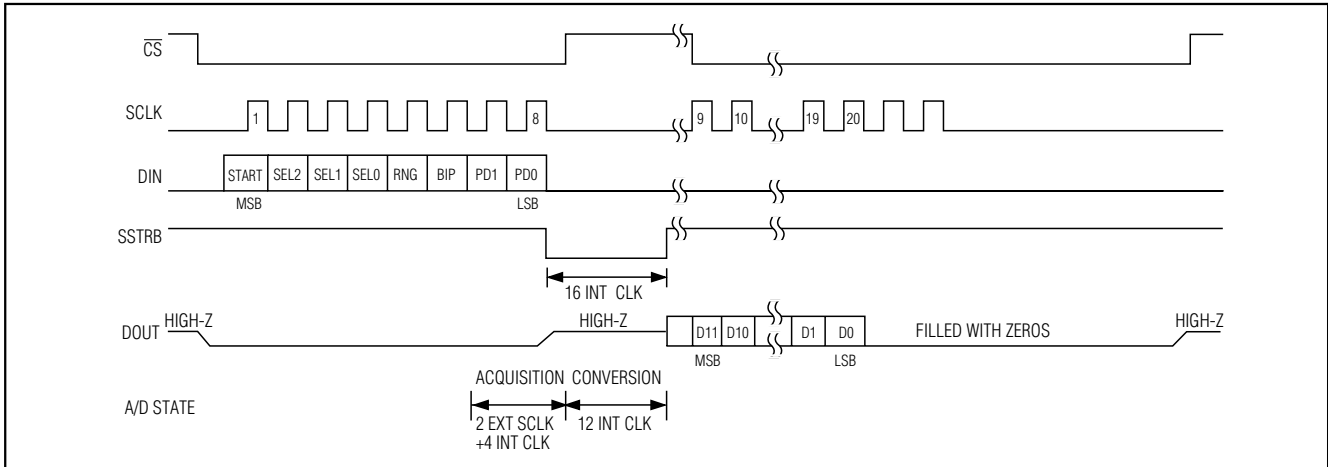


Figure 9. Internal Clock Mode, 20 SCLK/Conversion Timing

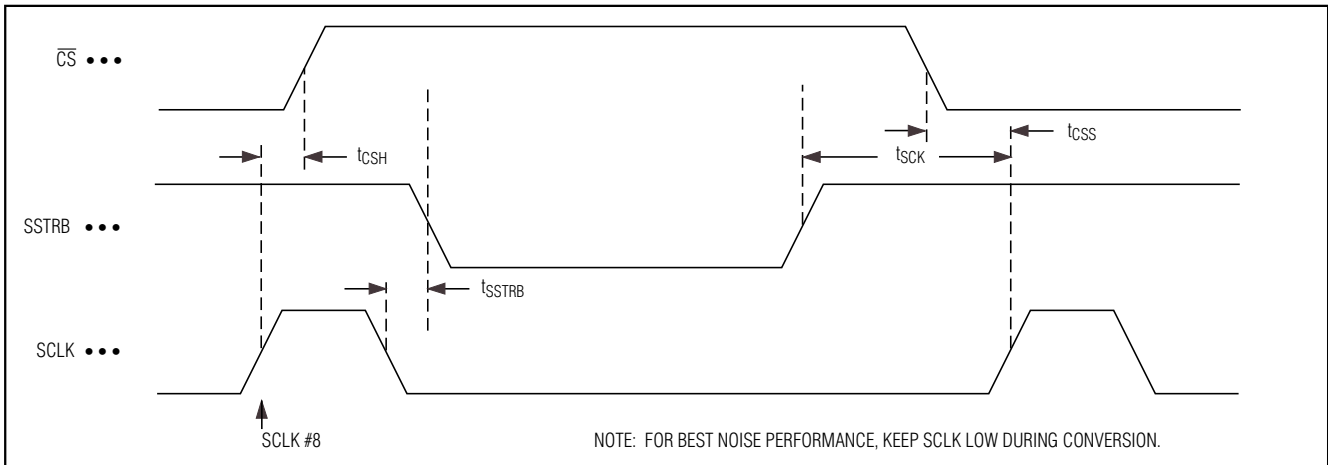


Figure 10. Internal Clock Mode SSTRB Detailed Timing

conversion in progress. Figure 10 shows the SSTRB timing in internal clock mode.

Internal clock mode conversions can be completed with 13 external clocks per conversion but require a waiting period of 15 μ s for the conversion to be completed (Figure 11).

Most microcontrollers require that conversions occur in multiples of 8 SCLK clock cycles; 16 clock cycles per conversion, as shown in Figure 12, will typically be the most convenient way for a microcontroller to drive the MAX1270/MAX1271.

Applications Information

Power-On Reset

The MAX1270/MAX1271 power up in normal operation (all internal circuitry active) and internal clock mode, waiting for a start bit. The contents of the output data register are cleared at power-up.

Internal or External Reference

The MAX1270/MAX1271 operate with either an internal or external reference. An external reference is connected to either REF or REFADJ (Figure 13). The REFADJ internal buffer gain is trimmed to 1.638V to provide 4.096V at REF from a 2.5V reference.

Multirange, +5V, 8-Channel, Serial 12-Bit ADCs

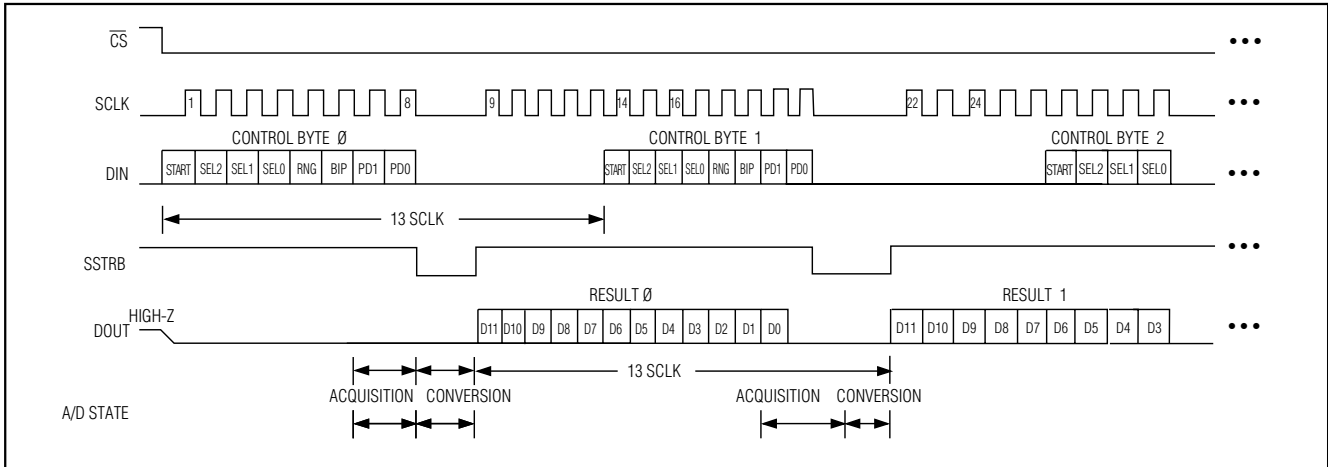


Figure 11. Internal Clock Mode, 13 Clocks/Conversion Timing

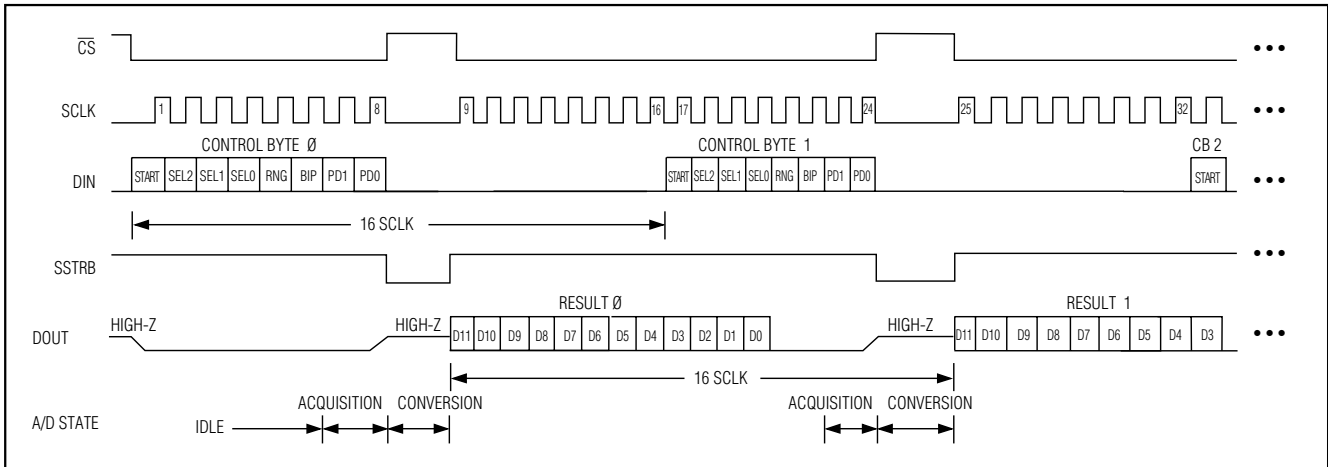


Figure 12. Internal Clock Mode, 16 Clocks/Conversion Timing

Internal Reference

The internally trimmed 2.50V reference is amplified through the REFADJ buffer to provide 4.096V at REF. Bypass REF with a 4.7μF capacitor to AGND and REFADJ with a 0.01μF capacitor to AGND (Figure 13a). The internal reference voltage is adjustable to ±1.5% (±65 LSBs) with the reference-adjust circuit of Figure 1.

External Reference

To use the REF input directly, disable the internal buffer by tying REFADJ to V_{DD} (Figure 13b). Using the REFADJ input eliminates the need to buffer the reference externally. When a reference is applied at REFADJ, bypass REFADJ with a 0.01μF capacitor to AGND. Note that when an external reference is applied at REFADJ, the voltage at REF is given by:

$$V_{REF} = 1.6384 \cdot V_{REFADJ} \quad (2.4 < V_{REF} < 4.18)$$

(Figure 13c). At REF and REFADJ, the input impedance is a minimum of 10kΩ for DC currents. During conversions, an external reference at REF must be able to deliver 400μA DC load currents and must have an output impedance of 10Ω or less. If the reference has higher output impedance or is noisy, bypass REF with a 4.7μF capacitor to AGND as close to the chip as possible.

With an external reference voltage of less than 4.096V at REF or less than 2.5V at REFADJ, the increase in the ratio of RMS noise to the LSB value (full-scale / 4096) results in performance degradation (loss of effective bits).

Multirange, +5V, 8-Channel, Serial 12-Bit ADCs

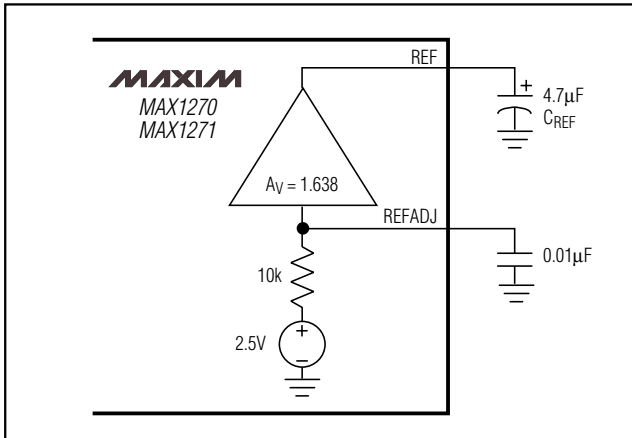


Figure 13a. Internal Reference

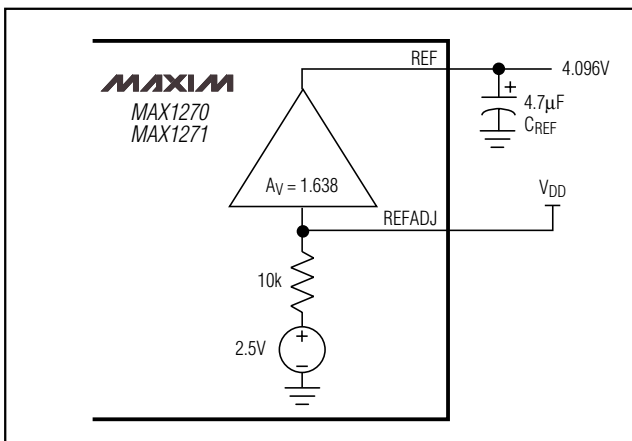


Figure 13b. External Reference, Reference at REF

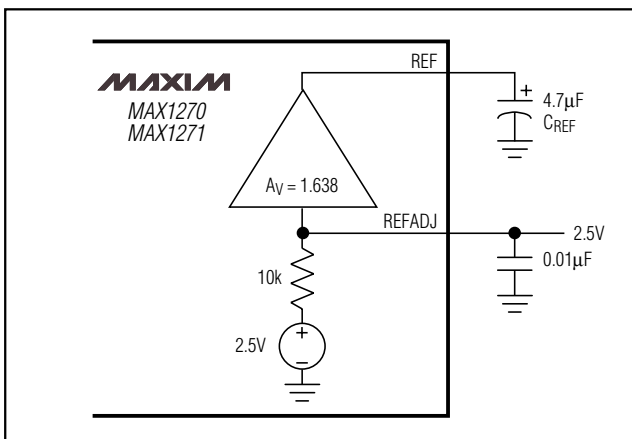


Figure 13c. External Reference, Reference at REFADJ

Power-Down Mode

To save power, configure the converter into low-current shutdown mode between conversions. Two programmable power-down modes are available in addition to a hardware shutdown. Select STBYPD or FULLPD by programming PD0 and PD1 in the input control byte (Table 4). When software power-down is asserted, it becomes effective only after the end of conversion. For example, if the control byte contains PD1 = 0, then the chip will remain powered up. If PD1 = 1, then the chip will power-down at the end of conversion. In all power-down modes, the interface remains active and conversion results may be read. Input overvoltage protection is active in all power-down modes.

The first logical 1 on DIN after \overline{CS} falls is interpreted as a start condition, and powers up the MAX1270/MAX1271 from a software selected STBYPD or FULLPD condition.

For hardware-controlled power-down (FULLPD), pull \overline{SHDN} low. When hardware shutdown is asserted, it becomes effective immediately, and any conversion in progress is aborted.

Choosing Power-Down Modes

The bandgap reference and reference buffer remain active in STBYPD mode, maintaining the voltage on the 4.7µF capacitor at REF. This is a “DC” state that does not degrade after power-down of any duration.

In FULLPD mode, only the bandgap reference is active. Connect a 33µF capacitor between REF and AGND to maintain the reference voltage between conversions and to reduce transients when the buffer is enabled and disabled. Throughput rates down to 1ksps can be achieved without allotting extra acquisition time for reference recovery prior to conversion. This allows conversion to begin immediately after power-up. If the discharge of the REF capacitor during FULLPD exceeds the desired limits for accuracy (less than a fraction of an LSB), run a STBYPD power-down cycle prior to starting conversions. Take into account that the reference buffer recharges the bypass capacitor at an 80mV/ms slew rate, and add 50µs for settling time.

Auto-Shutdown

Selecting STBYPD on every conversion automatically shuts down the MAX1270/MAX1271 after each conversion without requiring any start-up time on the next conversion.

Multirange, +5V, 8-Channel, Serial 12-Bit ADCs

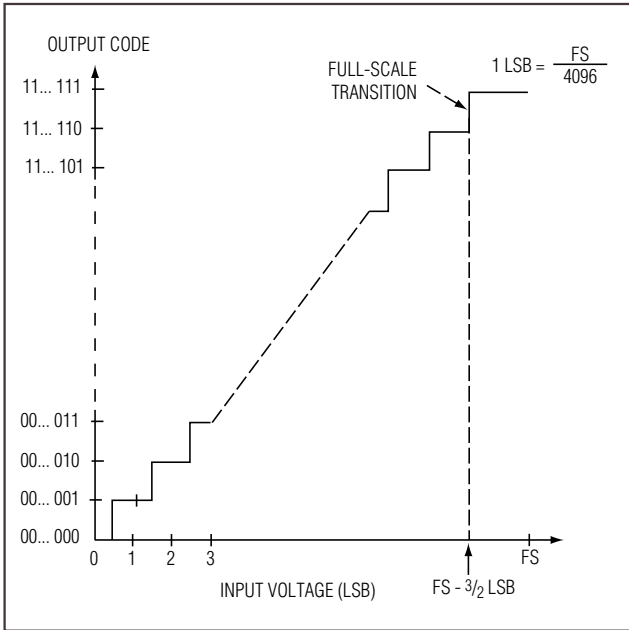


Figure 14a. Unipolar Transfer Function

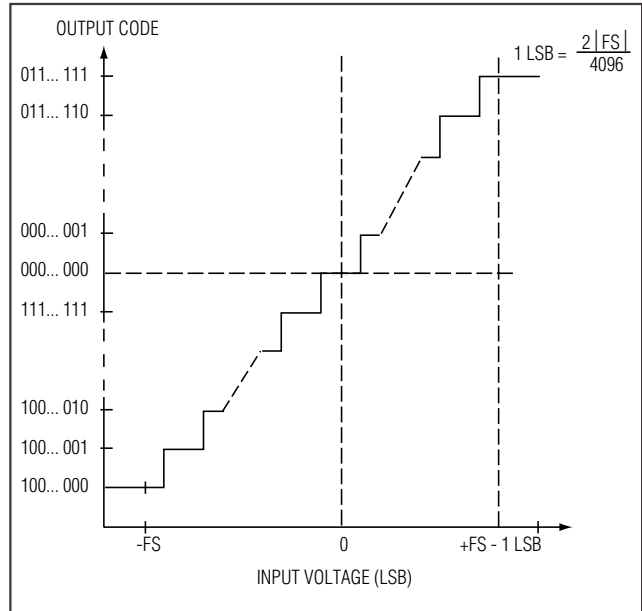


Figure 14b. Bipolar Transfer Function

Transfer Function

Output data coding for the MAX1270/MAX1271 is binary in unipolar mode with $1\text{LSB} = (\text{FS} / 4096)$ and two's complement binary in bipolar mode with $1\text{LSB} = [(2 \cdot |\text{FS}|) / 4096]$. Code transitions occur halfway between successive-integer LSB values. Figures 14a and 14b show the input/output (I/O) transfer functions for unipolar and bipolar operations, respectively. For full-scale values, refer to Table 3.

Layout, Grounding, and Bypassing

Careful printed circuit board layout is essential for best system performance. Use a ground plane for best performance. To reduce crosstalk and noise injection, keep analog and digital signals separate. Connect analog grounds and DGND in a star configuration to AGND. For noise-free operation, ensure the ground return from AGND to the supply ground is low impedance and as short as possible. Connect the logic grounds directly to the supply ground. Bypass V_{DD} with $0.1\mu\text{F}$ and $4.7\mu\text{F}$ capacitors to AGND to minimize high- and low-frequency fluctuations. If the supply is excessively noisy, connect a 5Ω resistor between the supply and V_{DD} , as shown in Figure 15.

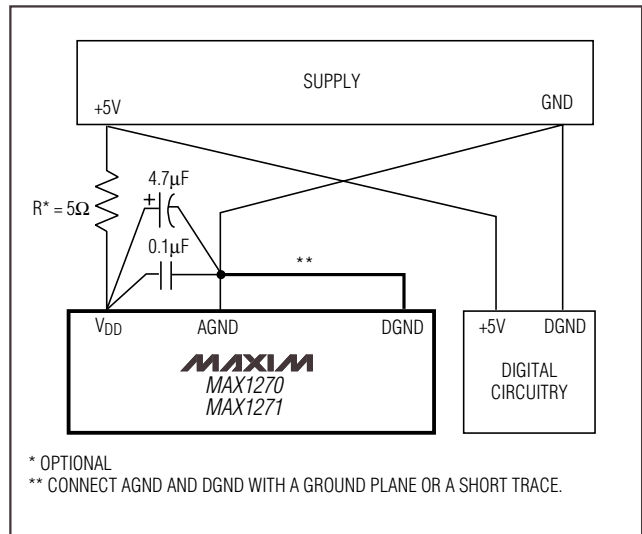
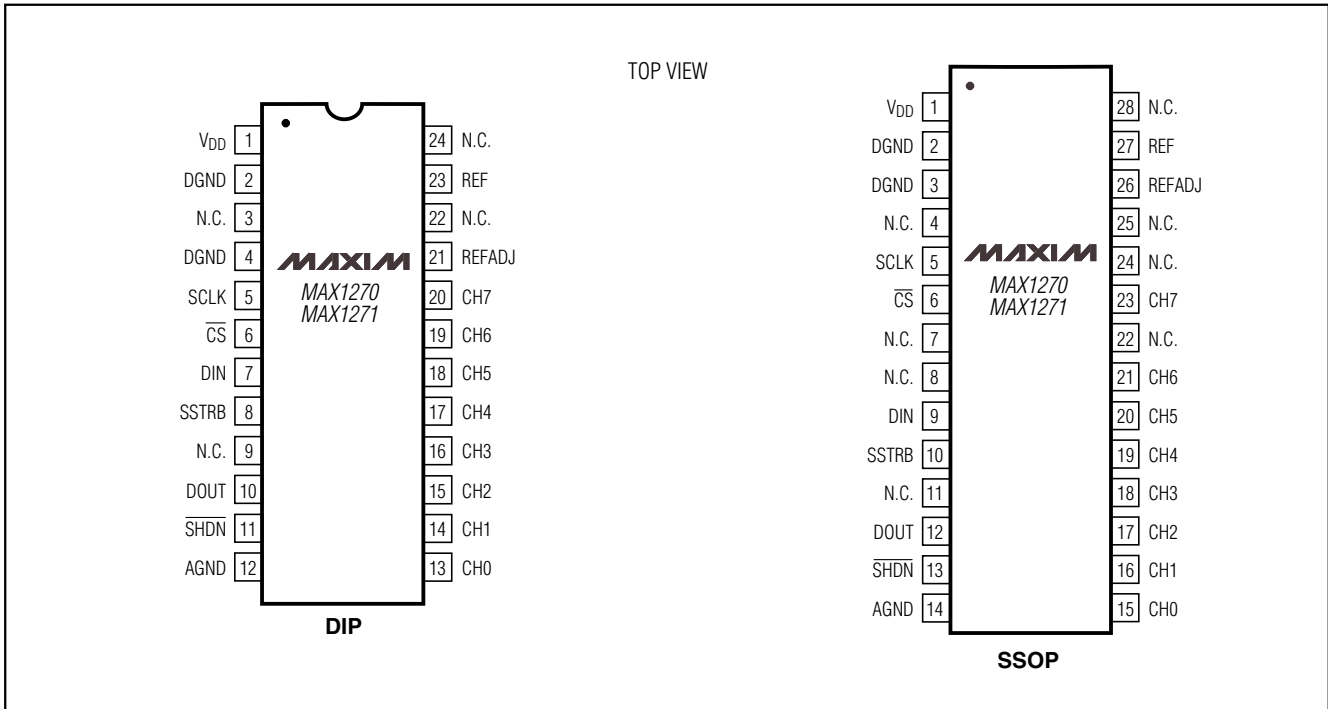


Figure 15. Power-Supply Grounding Connections

Multirange, +5V, 8-Channel, Serial 12-Bit ADCs

Pin Configurations

MAX1270/MAX1271



Ordering Information (continued)

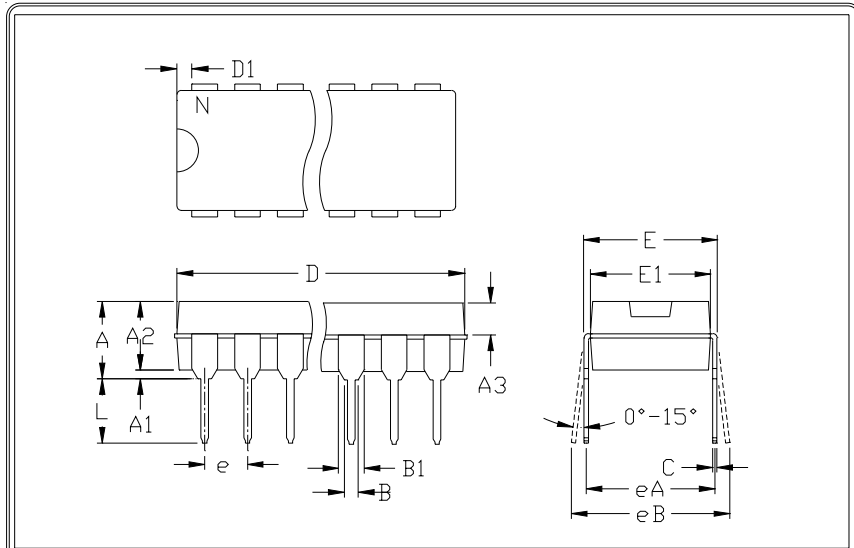
PART	TEMP. RANGE	PIN-PACKAGE	INL (LSB)
MAX1270AENG	-40°C to +85°C	24 Narrow Plastic DIP	±1/2
MAX1270BENG	-40°C to +85°C	24 Narrow Plastic DIP	±1
MAX1270AEAI	-40°C to +85°C	28 SSOP	±1/2
MAX1270BEAI	-40°C to +85°C	28 SSOP	±1
MAX1271ACNG	0°C to +70°C	24 Narrow Plastic DIP	±1/2
MAX1271BCNG	0°C to +70°C	24 Narrow Plastic DIP	±1
MAX1271ACAI	0°C to +70°C	28 SSOP	±1/2
MAX1271BCAI	0°C to +70°C	28 SSOP	±1
MAX1271AENG	-40°C to +85°C	24 Narrow Plastic DIP	±1/2
MAX1271BENG	-40°C to +85°C	24 Narrow Plastic DIP	±1
MAX1271AEAI	-40°C to +85°C	28 SSOP	±1/2
MAX1271BEAI	-40°C to +85°C	28 SSOP	±1

Chip Information

TRANSISTOR COUNT: 4219
SUBSTRATE CONNECTED TO AGND

Multirange, +5V, 8-Channel, Serial 12-Bit ADCs

Package Information



	INCHES		MILLIMETERS	
	MIN	MAX	MIN	MAX
A	---	0.200	---	5.08
A1	0.015	---	0.38	---
A2	0.125	0.175	3.18	4.45
A3	0.055	0.080	1.40	2.03
B	0.016	0.022	0.41	0.56
B1	0.045	0.065	1.14	1.65
C	0.008	0.012	0.20	0.30
D1	0.005	0.080	0.13	2.03
E	0.300	0.325	7.62	8.26
E1	0.240	0.310	6.10	7.87
e	0.100	---	2.54	---
eA	0.300	---	7.62	---
eB	---	0.400	---	10.16
L	0.115	0.150	2.92	3.81

	INCHES		MILLIMETERS		N	MS001
	MIN	MAX	MIN	MAX		
D	0.348	0.390	8.84	9.91	8	AB
D	0.735	0.765	18.67	19.43	14	AC
D	0.745	0.765	18.92	19.43	16	AA
D	0.885	0.915	22.48	23.24	18	AD
D	1.015	1.045	25.78	26.54	20	AE
D	1.14	1.265	28.96	32.13	24	AF
D	1.360	1.380	34.54	35.05	28	*5

- NOTES:
1. D&E DO NOT INCLUDE MOLD FLASH
 2. MOLD FLASH OR PROTRUSIONS NOT TO EXCEED .15mm (.006")
 3. CONTROLLING DIMENSION: MILLIMETER
 4. MEETS JEDEC MS001-XX AS SHOWN IN ABOVE TABLE
 5. SIMILAR TO JEDEC MO-058AB
 6. N = NUMBER OF PINS



PACKAGE FAMILY OUTLINE: PDIP .300"

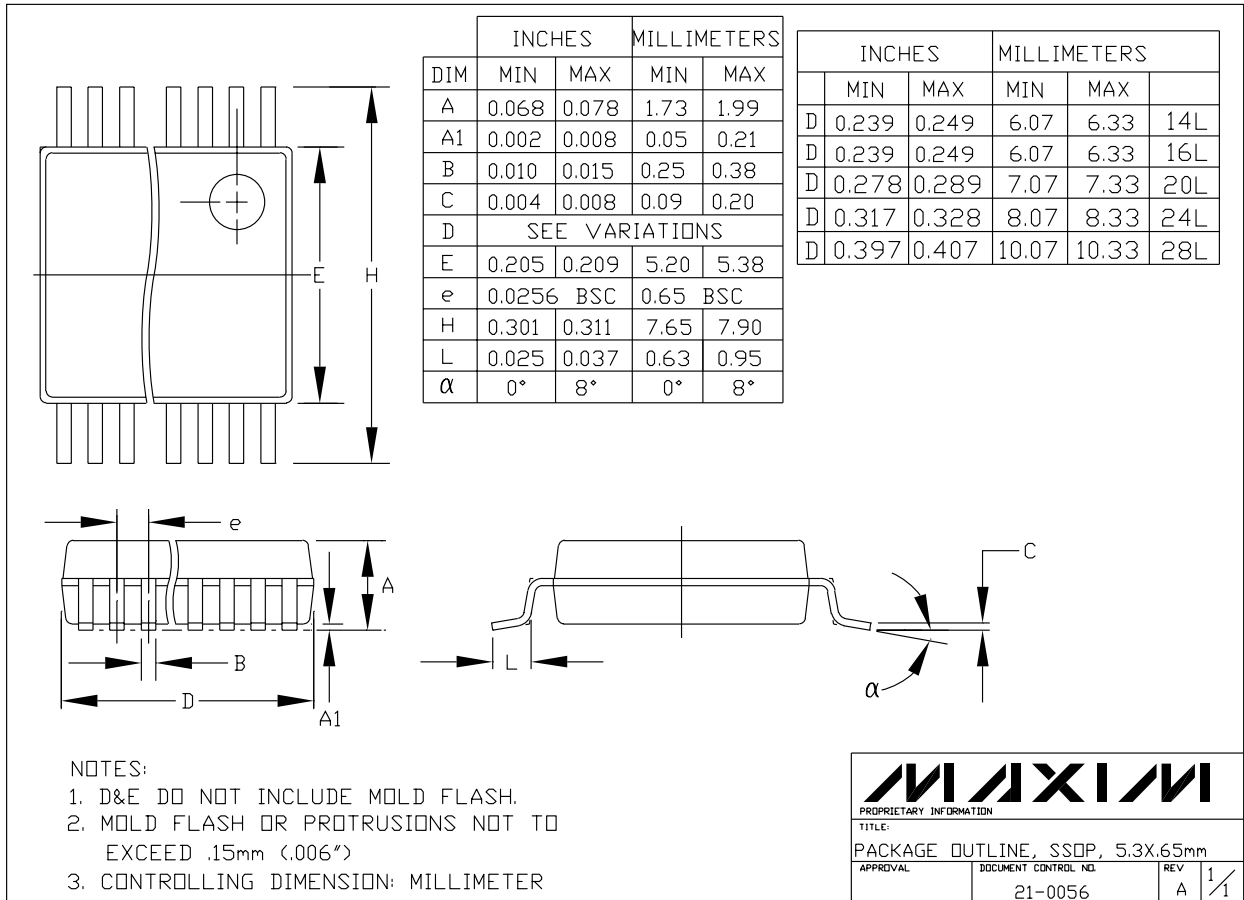


21-0043 A
DOCUMENT CONTROL NUMBER REV

Multirange, +5V, 8-Channel, Serial 12-Bit ADCs

Package Information (continued)

MAX1270/MAX1271



Multirange, +5V, 8-Channel, Serial 12-Bit ADCs

MAX1270/MAX1271

NOTES