



# +2.7V, Low-Power, 2-Channel, 108ksps, Serial 10-Bit ADCs in 8-Pin $\mu$ MAX

## General Description

The MAX157/MAX159 low-power, 10-bit analog-to-digital converters (ADCs) are available in 8-pin  $\mu$ MAX and DIP packages. Both devices operate with a single +2.7V to +5.25V supply and feature a 7.4 $\mu$ s successive-approximation ADC, automatic power-down, fast wake-up (2.5 $\mu$ s), an on-chip clock, and a high-speed, 3-wire serial interface.

Power consumption is only 3.2mW ( $V_{DD} = +3.6V$ ) at the maximum sampling rate of 108ksps. At slower throughput rates, the 0.2 $\mu$ A automatic shutdown further reduces power consumption.

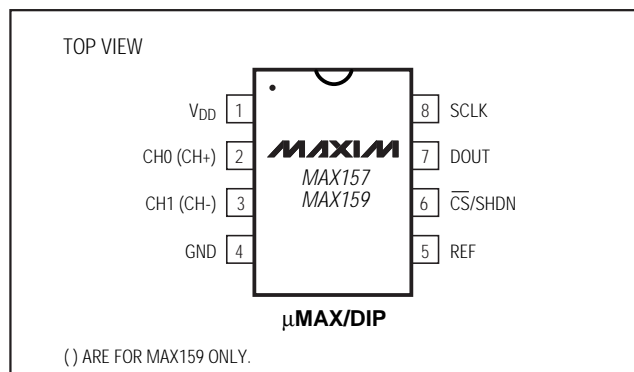
The MAX157 provides 2-channel, single-ended operation and accepts input signals from 0 to  $V_{REF}$ . The MAX159 accepts pseudo-differential inputs ranging from 0 to  $V_{REF}$ . An external clock accesses data through the 3-wire serial interface, which is SPI™, QSPI™, and MICROWIRE™ compatible.

Excellent dynamic performance and low power, combined with ease of use and a small package size, make these converters ideal for battery-powered and data acquisition applications, or for other circuits with demanding power-consumption and space requirements. For pin-compatible 12-bit upgrades, see the MAX144/MAX145 data sheet.

## Applications

Battery-Powered Systems	Instrumentation
Portable Data Logging	Test Equipment
Isolated Data Acquisition	Medical Instruments
Process-Control Monitoring	System Supervision

## Pin Configuration



SPI and QSPI are trademarks of Motorola, Inc.

MICROWIRE is a trademark of National Semiconductor Corp.

## Features

- ♦ **Single-Supply Operation (+2.7V to +5.25V)**
- ♦ **Two Single-Ended Channels (MAX157)  
Single Pseudo-Differential Channel (MAX159)**
- ♦ **Low Power**
  - 0.9mA (at 108ksps, +3V)
  - 100 $\mu$ A (at 10ksps, +3V)
  - 10 $\mu$ A (at 1ksps, +3V)
  - <0.2 $\mu$ A (power-down mode)
- ♦ **Internal Track/Hold**
- ♦ **108ksps Sampling Rate**
- ♦ **SPI/QSPI/MICROWIRE-Compatible 3-Wire  
Serial Interface**
- ♦ **Space-Saving 8-Pin  $\mu$ MAX Package**
- ♦ **Pin-Compatible 12-Bit Upgrades Available**

## Ordering Information

PART	TEMP. RANGE	PIN-PACKAGE	INL (LSB)
<b>MAX157</b> ACUA	0°C to +70°C	8 $\mu$ MAX	$\pm 0.5$
MAX157BCUA	0°C to +70°C	8 $\mu$ MAX	$\pm 1$
MAX157ACPA	0°C to +70°C	8 Plastic DIP	$\pm 0.5$
MAX157BCPA	0°C to +70°C	8 Plastic DIP	$\pm 1$
MAX157AEUA	-40°C to +85°C	8 $\mu$ MAX	$\pm 0.5$
MAX157BEUA	-40°C to +85°C	8 $\mu$ MAX	$\pm 1$
MAX157AEPA	-40°C to +85°C	8 Plastic DIP	$\pm 0.5$
MAX157BEPA	-40°C to +85°C	8 Plastic DIP	$\pm 1$
MAX157AMJA	-55°C to +125°C	8 CERDIP*	$\pm 0.5$
MAX157BMJA	-55°C to +125°C	8 CERDIP*	$\pm 1$
<b>MAX159</b> ACUA	0°C to +70°C	8 $\mu$ MAX	$\pm 0.5$
MAX159BCUA	0°C to +70°C	8 $\mu$ MAX	$\pm 1$
MAX159ACPA	0°C to +70°C	8 Plastic DIP	$\pm 0.5$
MAX159BCPA	0°C to +70°C	8 Plastic DIP	$\pm 1$
MAX159AEUA	-40°C to +85°C	8 $\mu$ MAX	$\pm 0.5$
MAX159BEUA	-40°C to +85°C	8 $\mu$ MAX	$\pm 1$
MAX159AEPA	-40°C to +85°C	8 Plastic DIP	$\pm 0.5$
MAX159BEPA	-40°C to +85°C	8 Plastic DIP	$\pm 1$
MAX159AMJA	-55°C to +125°C	8 CERDIP*	$\pm 0.5$
MAX159BMJA	-55°C to +125°C	8 CERDIP*	$\pm 1$

\*Contact factory for availability.

MAX157/MAX159



# +2.7V, Low-Power, 2-Channel, 108ksps, Serial 10-Bit ADCs in 8-Pin $\mu$ MAX

## ABSOLUTE MAXIMUM RATINGS

$V_{DD}$ to GND	-0.3V to +6V
CH0, CH1 (CH+, CH-) to GND	-0.3V to ( $V_{DD}$ + 0.3V)
REF to GND	-0.3V to ( $V_{DD}$ + 0.3V)
Digital Inputs to GND	-0.3V to +6V
DOUT to GND	-0.3V to ( $V_{DD}$ + 0.3V)
DOUT Sink Current	25mA
Continuous Power Dissipation ( $T_A = +70^\circ\text{C}$ )	
$\mu$ MAX (derate 4.1mW/ $^\circ\text{C}$ above +70 $^\circ\text{C}$ )	330mW
Plastic DIP (derate 9.09mW/ $^\circ\text{C}$ above +70 $^\circ\text{C}$ )	727mW
CERDIP (derate 8.00mW/ $^\circ\text{C}$ above +70 $^\circ\text{C}$ )	640mW

Operating Temperature Ranges	
MAX157/MAX159_C_A	0 $^\circ\text{C}$ to +70 $^\circ\text{C}$
MAX157/MAX159_E_A	-40 $^\circ\text{C}$ to +85 $^\circ\text{C}$
MAX157/MAX159_MJA	-55 $^\circ\text{C}$ to +125 $^\circ\text{C}$
Storage Temperature Range	-60 $^\circ\text{C}$ to +150 $^\circ\text{C}$
Lead Temperature (soldering, 10sec)	+300 $^\circ\text{C}$

Stresses beyond those listed under "Absolute Maximum Ratings" may cause permanent damage to the device. These are stress ratings only, and functional operation of the device at these or any other conditions beyond those indicated in the operational sections of the specifications is not implied. Exposure to absolute maximum rating conditions for extended periods may affect device reliability.

## ELECTRICAL CHARACTERISTICS

( $V_{DD} = +2.7\text{V}$  to +5.25V,  $V_{REF} = 2.5\text{V}$ , 0.1 $\mu\text{F}$  capacitor at REF,  $f_{SCLK} = 2.17\text{MHz}$ , 16 clocks/conversion cycle (108ksps), CH- = GND for MAX159,  $T_A = T_{MIN}$  to  $T_{MAX}$ , unless otherwise noted. Typical values are at  $T_A = +25^\circ\text{C}$ .)

PARAMETER	SYMBOL	CONDITIONS	MIN	TYP	MAX	UNITS
<b>DC ACCURACY</b> (Note 1)						
Resolution	RES		10			Bits
Relative Accuracy (Note 2)	INL	MAX15_A			$\pm 0.5$	LSB
		MAX15_B			$\pm 1$	
Differential Nonlinearity	DNL	No missing codes over temperature			$\pm 0.5$	LSB
Offset Error					$\pm 2$	LSB
Gain Error (Note 3)					$\pm 2$	LSB
Gain Temperature Coefficient		External reference, $V_{REF} = 2.5\text{V}$		$\pm 0.8$		ppm/ $^\circ\text{C}$
Channel-to-Channel Offset Matching				$\pm 0.02$		LSB
Channel-to-Channel Gain Matching				$\pm 0.02$		LSB
<b>DYNAMIC SPECIFICATIONS</b> ( $f_{IN}$ (sine wave) = 10kHz, $V_{IN} = 2.5\text{Vp-p}$ , 108ksps, external $f_{SCLK} = 2.17\text{MHz}$ , CH- = GND for MAX159)						
Signal-to-Noise Ratio plus Distortion	SINAD			66		dB
Total Harmonic Distortion (including 5th-order harmonic)	THD			-70		dB
Spurious-Free Dynamic Range	SFDR			70		dB
Channel-to-Channel Crosstalk		$f_{IN} = 65\text{kHz}$ , $V_{IN} = 2.5\text{Vp-p}$ (Note 4)		-75		dB
Small-Signal Bandwidth		-3dB rolloff		2.25		MHz
Full-Power Bandwidth				1.0		MHz

# +2.7V, Low-Power, 2-Channel, 108ksps, Serial 10-Bit ADCs in 8-Pin $\mu$ MAX

MAX157/MAX159

## ELECTRICAL CHARACTERISTICS (continued)

( $V_{DD}$  = +2.7V to +5.25V,  $V_{REF}$  = 2.5V, 0.1 $\mu$ F capacitor at REF,  $f_{SCLK}$  = 2.17MHz, 16 clocks/conversion cycle (108ksps), CH- = GND for MAX159,  $T_A$  =  $T_{MIN}$  to  $T_{MAX}$ , unless otherwise noted. Typical values are at  $T_A$  = +25°C.)

PARAMETER	SYMBOL	CONDITIONS	MIN	TYP	MAX	UNITS
<b>CONVERSION RATE</b>						
Conversion Time (Note 5)	$t_{CONV}$	External clock, $f_{SCLK}$ = 2.17MHz, 16 clock cycles per conversion	7.4			$\mu$ s
		Internal clock	5		7	
T/H Acquisition Time	$t_{ACQ}$				2.5	$\mu$ s
Aperture Delay				25		ns
Aperture Jitter				<50		ps
Serial Clock Frequency	$f_{SCLK}$	External clock mode	0.1		2.17	MHz
		Internal clock mode, for data transfer only	0		5	
<b>ANALOG INPUTS</b>						
Analog Input Voltage Range (Note 6)	$V_{IN}$		0		$V_{REF}$	V
Multiplexer Leakage Current		On/off-leakage current, $V_{IN}$ = 0 to $V_{DD}$		$\pm 0.01$	$\pm 1$	$\mu$ A
Input Capacitance	$C_{IN}$			16		$\mu$ A
<b>EXTERNAL REFERENCE</b>						
Input Voltage Range (Note 7)	$V_{REF}$		0	$V_{DD} + 50mV$		V
Input Current		$V_{REF}$ = 2.5V		100	140	$\mu$ A
Input Resistance			18	25		k $\Omega$
Shutdown REF Input Current				0.01	10	$\mu$ A
<b>DIGITAL INPUTS (<math>\overline{CS}/SHDN</math>, SCLK) AND DIGITAL OUTPUT (DOUT)</b>						
Input High Voltage	$V_{IH}$	$V_{DD} \leq 3.6V$	2.0			V
		$V_{DD} > 3.6V$	3.0			
Input Low Voltage	$V_{IL}$				0.8	V
Input Hysteresis	$V_{HYS}$			0.2		V
Input Leakage Current	$I_{IN}$	$V_{IN}$ = 0 or $V_{DD}$			$\pm 1$	$\mu$ A
Input Capacitance	$C_{IN}$	(Note 8)			15	pF
Output Low Voltage	$V_{OL}$	$I_{SINK} = 5mA$			0.4	V
		$I_{SINK} = 16mA$		0.5		
Output High Voltage	$V_{OH}$	$I_{SOURCE} = 0.5mA$	$V_{DD} - 0.5$			V
Three-State Output Leakage Current		$\overline{CS}/SHDN = V_{DD}$			$\pm 10$	$\mu$ A
Three-State Output Capacitance	$C_{OUT}$	$\overline{CS}/SHDN = V_{DD}$ (Note 8)			15	pF

# +2.7V, Low-Power, 2-Channel, 108ksps, Serial 10-Bit ADCs in 8-Pin $\mu$ MAX

## ELECTRICAL CHARACTERISTICS (continued)

( $V_{DD} = +2.7V$  to  $+5.25V$ ,  $V_{REF} = 2.5V$ ,  $0.1\mu F$  capacitor at REF,  $f_{SCLK} = 2.17MHz$ , 16 clocks/conversion cycle (108ksps), CH- = GND for MAX159,  $T_A = T_{MIN}$  to  $T_{MAX}$ , unless otherwise noted. Typical values are at  $T_A = +25^\circ C$ .)

PARAMETER	SYMBOL	CONDITIONS	MIN	TYP	MAX	UNITS
<b>POWER REQUIREMENTS</b>						
Positive Supply Voltage	$V_{DD}$		+2.7		+5.25	V
Positive Supply Current	$I_{DD}$	Operating mode		0.9	2.0	mA
Positive Supply Current	$I_{DD}$	Shutdown, $\overline{CS}/SHDN = GND$		0.2	5	$\mu A$
Power-Supply Rejection (Note 9)	PSR	$V_{DD} = 2.7V$ to $5.25V$ , full-scale input		$\pm 0.15$		mV

## TIMING CHARACTERISTICS (Figure 7)

( $V_{DD} = +2.7V$  to  $+5.25V$ ,  $V_{REF} = 2.5V$ ,  $0.1\mu F$  capacitor at REF,  $f_{SCLK} = 2.17MHz$ , 16 clocks/conversion cycle (108ksps), CH- = GND for MAX159,  $T_A = T_{MIN}$  to  $T_{MAX}$ , unless otherwise noted. Typical values are at  $T_A = +25^\circ C$ .)

PARAMETER	SYMBOL	CONDITIONS	MIN	TYP	MAX	UNITS
Wake-Up Time	$t_{WAKE}$		2.5			$\mu s$
$\overline{CS}/SHDN$ Fall to Output Enable	$t_{DV}$	$C_L = 100pF$ (Figure 1)			120	ns
$\overline{CS}/SHDN$ Rise to Output Disable	$t_{TR}$	$C_L = 100pF$ (Figure 1)			120	ns
SCLK Fall to Output Data Valid	$t_{DO}$	$C_L = 100pF$	20		120	ns
SCLK Clock Frequency	$f_{SCLK}$	External clock	0.1		2.17	MHz
		Internal clock, SCLK for data transfer only	0		5	
SCLK Pulse Width High	$t_{CH}$	External clock	215			ns
		Internal clock, SCLK for data transfer only (Note 8)	50			
SCLK Pulse Width Low	$t_{CL}$	External clock	215			ns
		Internal clock, SCLK for data transfer only (Note 8)	50			
SCLK to $\overline{CS}/SHDN$ Setup	$t_{SCLKS}$		60			ns
$\overline{CS}/SHDN$ Pulse Width	$t_{CS}$		60			ns

**Note 1:** Tested at  $V_{DD} = +2.7V$ .

**Note 2:** Relative accuracy is the deviation of the analog value at any code from its theoretical value after full-scale range has been calibrated.

**Note 3:** Offset nulled.

**Note 4:** The on channel is grounded; the sine wave is applied to off channel (MAX157 only).

**Note 5:** Conversion time is defined as the number of clock cycles times the clock period; clock has 50% duty cycle.

**Note 6:** The common-mode range for the analog inputs is from GND to  $V_{DD}$  (MAX159 only).

**Note 7:** ADC performance is limited by the converter's noise floor, typically  $300\mu V_{p-p}$ .

**Note 8:** Guaranteed by design. Not subject to production testing.

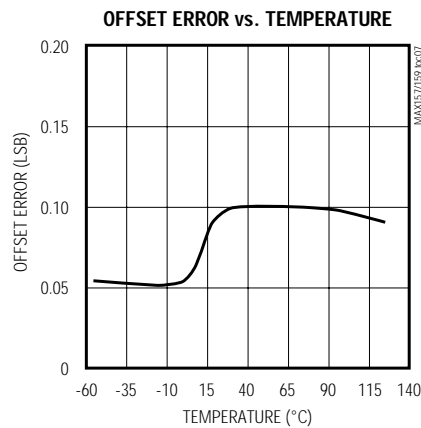
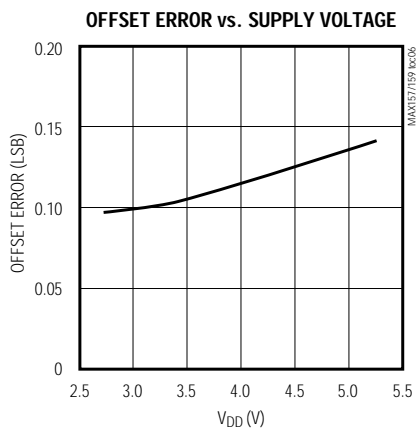
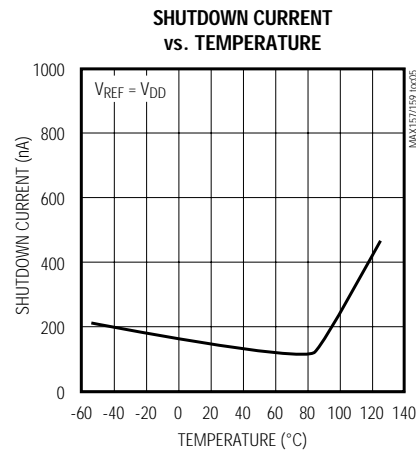
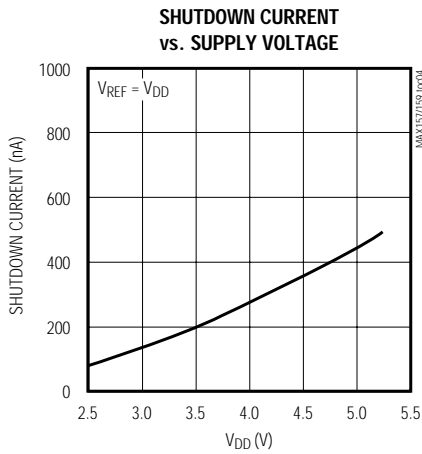
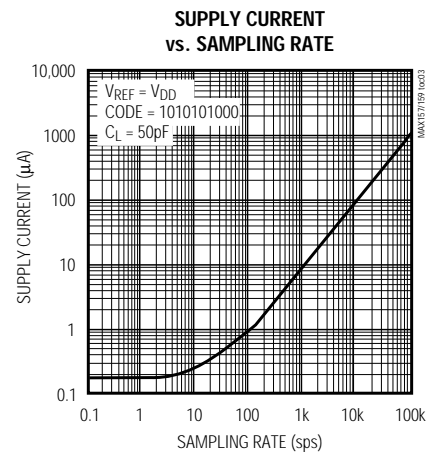
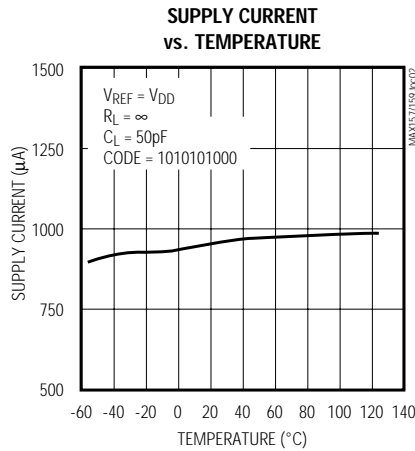
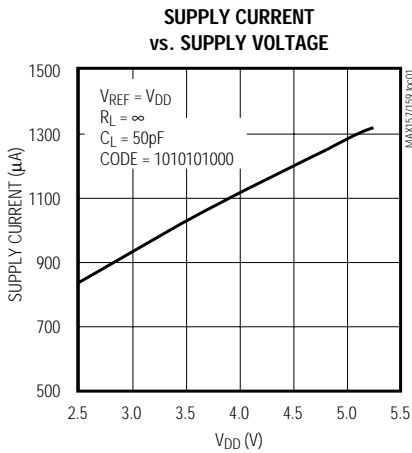
**Note 9:** Measured as  $V_{FS}(2.7V) - V_{FS}(5.25V)$ .

# +2.7V, Low-Power, 2-Channel, 108ksps, Serial 10-Bit ADCs in 8-Pin $\mu$ MAX

## Typical Operating Characteristics

( $V_{DD} = +3.0V$ ,  $V_{REF} = 2.5V$ ,  $0.1\mu F$  capacitor at REF,  $f_{SCLK} = 2.17MHz$ , 16 clocks/conversion cycle (108ksps); CH- = GND for MAX157;  $T_A = +25^\circ C$ , unless otherwise noted.)

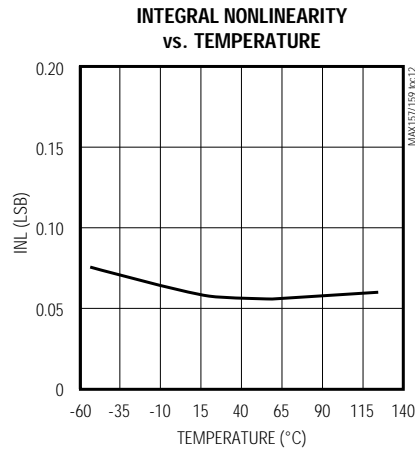
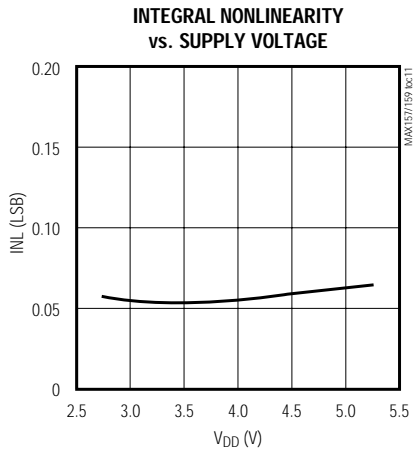
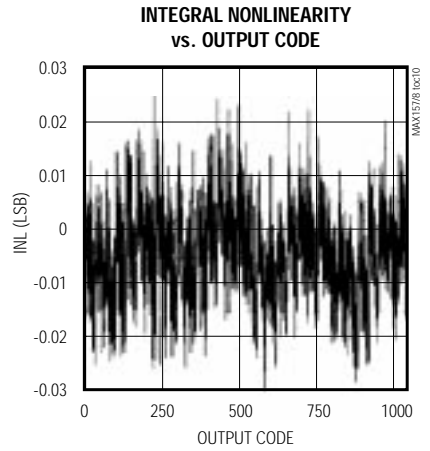
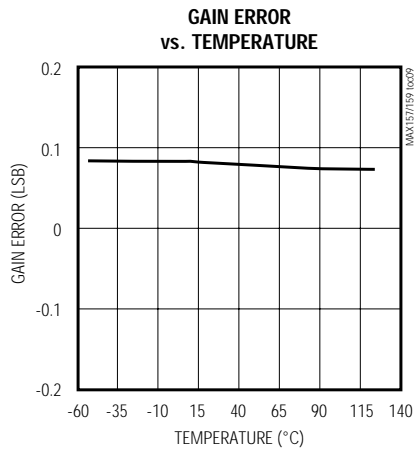
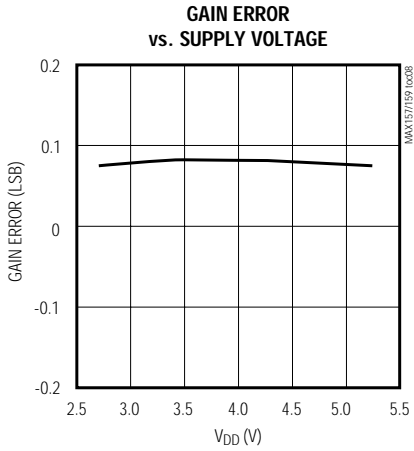
MAX157/MAX159



# +2.7V, Low-Power, 2-Channel, 108ksps, Serial 10-Bit ADCs in 8-Pin $\mu$ MAX

## Typical Operating Characteristics (continued)

( $V_{DD} = +3.0V$ ,  $V_{REF} = 2.5V$ ,  $0.1\mu F$  capacitor at REF,  $f_{SCLK} = 2.17MHz$ , 16 clocks/conversion cycle (108ksps); CH- = GND for MAX159;  $T_A = +25^\circ C$ , unless otherwise noted.)



# +2.7V, Low-Power, 2-Channel, 108ksps, Serial 10-Bit ADCs in 8-Pin $\mu$ MAX

MAX157/MAX159

## Pin Description

PIN	NAME	FUNCTION
1	V <sub>DD</sub>	Positive Supply Voltage, +2.7V to +5.25V
2	CH0 (CH+)	Analog Input, MAX157: Single-Ended (CH0); MAX159: Differential (CH+).
3	CH1 (CH-)	Analog Input, MAX157: Single-Ended (CH1); MAX159: Differential (CH-).
4	GND	Analog and Digital Ground
5	REF	External Reference Voltage Input. Sets analog voltage range. Bypass with a 100nF capacitor close to the part.
6	$\overline{\text{CS}}/\text{SHDN}$	Active-Low Chip-Select Input, Active-High Shutdown Input. Pulling $\overline{\text{CS}}/\text{SHDN}$ high puts chip into shutdown with a maximum current of 5 $\mu$ A.
7	DOUT	Serial Data Output. Data changes state at SCLK's falling edge. High impedance when $\overline{\text{CS}}/\text{SHDN}$ is high.
8	SCLK	Serial Clock Input. DOUT changes on the falling edge of SCLK.

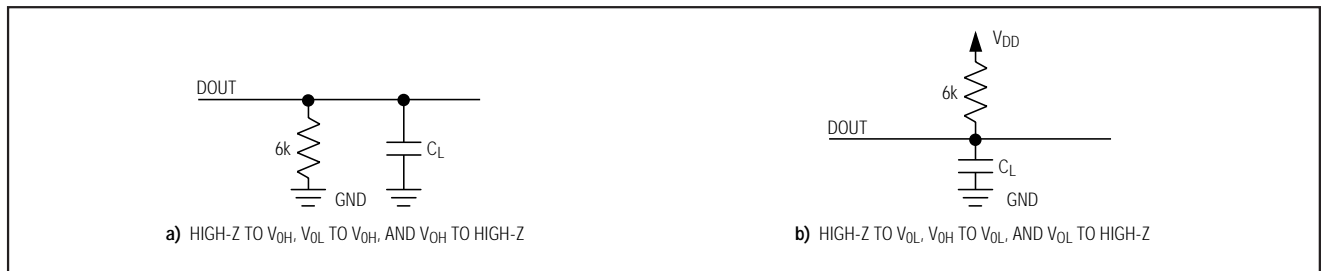


Figure 1. Load Circuits for Enable and Disable Time

## Detailed Description

The MAX157/MAX159 analog-to-digital converters (ADCs) use a successive-approximation conversion (SAR) technique and on-chip track/hold (T/H) structure to convert an analog signal to a serial, 10-bit digital output data stream.

This flexible serial interface provides easy interface to microprocessors ( $\mu$ Ps). Figure 2 shows a simplified functional diagram of the internal architecture for both the MAX157 (2 channels, single-ended) and the MAX159 (1 channel, pseudo-differential).

### Single-Ended (MAX157) and Pseudo-Differential (MAX159) Analog Inputs

The sampling architecture of the ADC's analog comparator is illustrated in the equivalent input circuit in Figure 3. In single-ended mode (MAX157), both channels CH0 and CH1 are referred to GND and can be connected to two different signal sources. Following the power-on reset, the ADC is set to convert CH0. After CH0 has been converted, CH1 will be converted, and the conversions will continue to alternate between channels. Channel switching is performed by toggling the  $\overline{\text{CS}}/\text{SHDN}$  pin. Conversions can be performed on

the same channel by toggling  $\overline{\text{CS}}/\text{SHDN}$  twice between conversions. If only one channel is required, CH0 and CH1 may be connected together; however the output data will still contain the channel identification bit (before the MSB).

For the MAX159, the input channels form a single differential channel pair (CH+, CH-). This configuration is pseudo-differential to the effect that only the signal at IN+ is sampled. The return side IN- must remain stable within  $\pm 0.5\text{LSB}$  ( $\pm 0.1\text{LSB}$  for optimum results) with respect to GND during a conversion. To accomplish this, connect a 0.1 $\mu$ F capacitor from IN- to GND.

During the acquisition interval, the channel selected as the positive input (IN+) charges capacitor C<sub>HOLD</sub>. The acquisition interval spans from when  $\overline{\text{CS}}/\text{SHDN}$  falls to the falling edge of the second clock cycle (external clock mode) or from when  $\overline{\text{CS}}/\text{SHDN}$  falls to the first falling edge of SCLK (internal clock mode). At the end of the acquisition interval, the T/H switch opens, retaining charge on C<sub>HOLD</sub> as a sample of the signal at IN+.

The conversion interval begins with the input multiplexer switching C<sub>HOLD</sub> from the positive input (IN+) to the negative input (IN-). This unbalances node ZERO at the comparator's positive input.

## +2.7V, Low-Power, 2-Channel, 108ksps, Serial 10-Bit ADCs in 8-Pin $\mu$ MAX

The capacitive digital-to-analog converter (DAC) adjusts during the remainder of the conversion cycle to restore node ZERO to 0V within the limits of 10-bit resolution. This action is equivalent to transferring a  $16\text{pF} \cdot [(V_{\text{IN}+}) - (V_{\text{IN}-})]$  charge from  $C_{\text{HOLD}}$  to the binary-weighted capacitive DAC, which in turn forms a digital representation of the analog input signal.

### Track/Hold

The ADC's T/H stage enters its tracking mode on the falling edge of  $\overline{\text{CS}}/\text{SHDN}$ . For the MAX157 (single-ended inputs),  $\text{IN-}$  is connected to GND and the converter samples the positive ("+") input. For the MAX159 (pseudo-differential inputs),  $\text{IN-}$  connects to the negative input ("-"), and the difference of  $[(V_{\text{IN}+}) - (V_{\text{IN}-})]$  is sampled. At the end of the conversion, the positive input connects back to  $\text{IN+}$  and  $C_{\text{HOLD}}$  charges to the input signal.

The time required for the T/H stage to acquire an input signal is a function of how fast its input capacitance is charged. If the input signal's source impedance is high, the acquisition time lengthens and more time must be allowed between conversions. The acquisition time,  $t_{\text{ACQ}}$ , is the maximum time the device takes to acquire the signal, and is also the minimum time required for the signal to be acquired. Calculate this with the following equation:

$$t_{\text{ACQ}} = 7(R_{\text{S}} + R_{\text{IN}})C_{\text{IN}}$$

where  $R_{\text{S}}$  is the source impedance of the input signal,  $R_{\text{IN}}$  ( $9\text{k}\Omega$ ) is the input resistance, and  $C_{\text{IN}}$  ( $16\text{pF}$ ) is the input capacitance of the ADC. Source impedances below  $4\text{k}\Omega$  have no significant impact on the AC performance of the MAX157/MAX159.

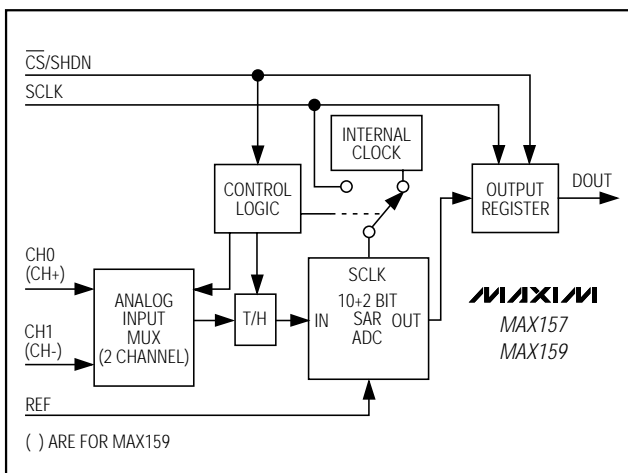


Figure 2. MAX157/MAX159 Simplified Functional Diagram

Higher source impedances can be used if a  $0.01\mu\text{F}$  capacitor is connected to the individual analog inputs. Together with the input impedance, this capacitor forms an RC filter, limiting the ADC's signal bandwidth.

### Input Bandwidth

The MAX157/MAX159 T/H stage offers both a  $2.25\text{MHz}$  small-signal and a  $1\text{MHz}$  full-power bandwidth, which makes it possible to use the parts for digitizing high-speed transients and measuring periodic signals with bandwidths exceeding the ADC's sampling rate by using undersampling techniques. To avoid high-frequency signals being aliased into the frequency band of interest, anti-alias filtering is recommended. Most aliasing problems can be fixed easily with an external resistor and a capacitor. However, if DC precision is required, it is usually best to choose a continuous or switched-capacitor filter, such as the MAX7410/MAX7414 (Figure 4). Their Butterworth characteristic generally provides the best compromise (with regard to rolloff and attenuation) in filter configurations, is easy to design, and provides a maximally flat passband response.

### Analog Input Protection

Internal protection diodes, which clamp the analog input to  $V_{\text{DD}}$  and GND, allow each input channel to swing within  $\text{GND} - 300\text{mV}$  to  $V_{\text{DD}} + 300\text{mV}$  without damage. However, for accurate conversions both inputs must not exceed  $V_{\text{DD}} + 50\text{mV}$  or be less than  $\text{GND} - 50\text{mV}$ .

**If an off-channel analog input voltage exceeds the supplies, limit the input current to  $4\text{mA}$ .**

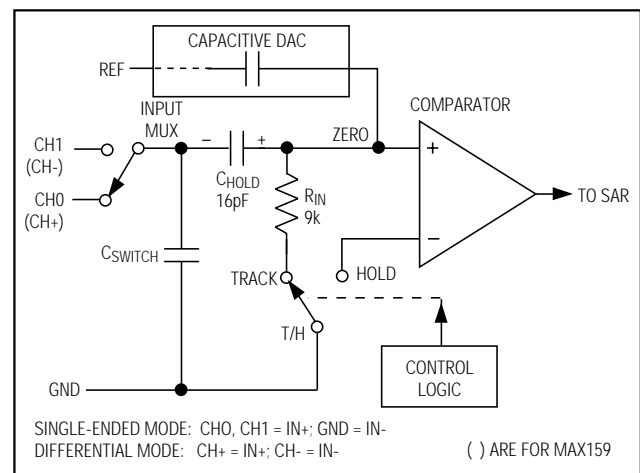


Figure 3. Analog Input Channel Structure



# +2.7V, Low-Power, 2-Channel, 108ksps, Serial 10-Bit ADCs in 8-Pin $\mu$ MAX

MAX157/MAX159

## Selecting Clock Mode

To start the conversion process on the MAX157/MAX159, pull  $\overline{CS}/SHDN$  low. At  $\overline{CS}/SHDN$ 's falling edge, the part wakes up, the internal T/H enters track mode, and a conversion begins. In addition, the state of SCLK at  $\overline{CS}/SHDN$ 's falling edge selects internal (SCLK = high) or external (SCLK = low) clock mode.

### Internal Clock ( $f_{SCLK} < 100\text{kHz}$ or $f_{SCLK} > 2.17\text{MHz}$ )

In internal clock mode, the MAX157/MAX159 run from an internal, laser-trimmed oscillator to within 20% of the 2MHz specified clock rate. This releases the system microprocessor from running the SAR conversion clock and allows the conversion results to be read back at the processor's convenience, at any clock rate from 0 to 5MHz. Operating the MAX157/MAX159 in internal clock mode is necessary for serial interfaces operating with clock frequencies lower than 100kHz or greater than 2.17MHz. Select internal clock mode (Figure 5) by hold-

ing SCLK high during a high/low transition of  $\overline{CS}/SHDN$ . The first SCLK falling edge samples the data and initiates a conversion using the integrated on-chip oscillator. After the conversion, the oscillator shuts off and DOUT goes high, signaling the end of conversion (EOC). Data can then be read out with SCLK.

### External Clock ( $f_{SCLK} = 100\text{kHz}$ to $2.17\text{MHz}$ )

External clock mode (Figure 6) is selected by transitioning  $\overline{CS}/SHDN$  from high to low while SCLK is low. The external clock signal not only shifts data out, but also drives the analog-to-digital conversion. The input is sampled and conversion begins on the falling edge of the second clock pulse. Conversion must be completed within  $140\mu\text{s}$  to prevent degradation in the conversion results caused by droop on the T/H capacitors. External clock mode provides the best throughput for clock frequencies between 100kHz and 2.17MHz.

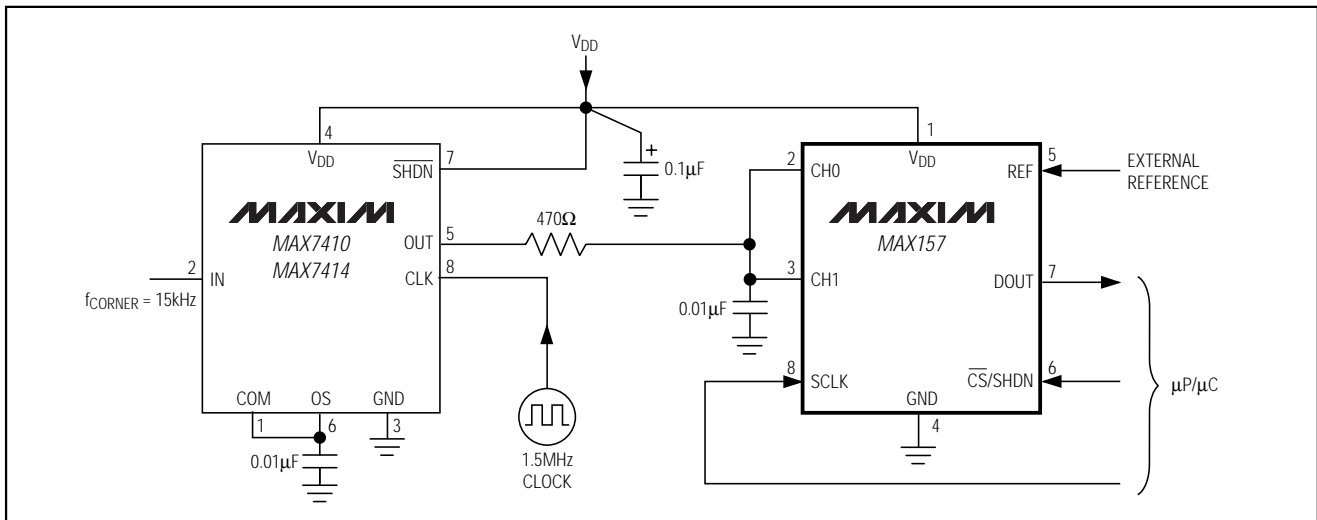


Figure 4. Analog Input with Anti-Aliasing Filter Structure

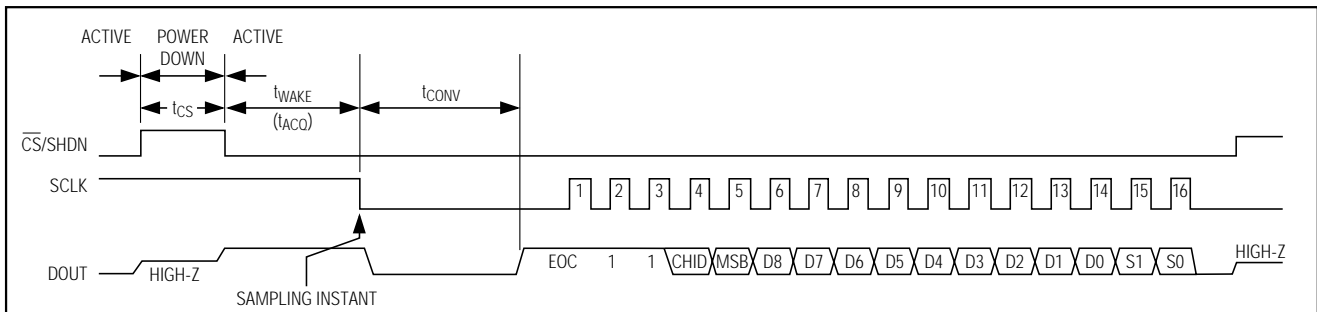


Figure 5. Internal Clock Mode Timing

# +2.7V, Low-Power, 2-Channel, 108ksps, Serial 10-Bit ADCs in 8-Pin $\mu$ MAX

### Output Data Format

Table 1 illustrates the 16-bit, serial data-stream output format for both the MAX157 and MAX159. The first three bits are always logic high (including the EOC bit for internal clock mode), followed by the channel identification (CHID = 0 for CH0, CHID = 1 for CH1, CHID = 1 for MAX159), the 10 bits of data in MSB first format, and two sub-LSB bits (S1 and S0). After the last bit has been read out, additional SCLK pulses will clock out trailing zeros. DOUT transitions on the falling edge of SCLK. The output remains high impedance when  $\overline{\text{CS}}/\text{SHDN}$  is high.

### External Reference

An external reference is required for both the MAX157 and MAX159. At REF, the DC input resistance is a minimum of  $18\text{k}\Omega$ . During a conversion, a reference must be able to deliver  $250\mu\text{A}$  of DC load current and have an output impedance of  $10\Omega$  or less. Use a  $0.1\mu\text{F}$  bypass capacitor for best performance. The reference input structure allows a voltage range of 0 to  $(\text{V}_{\text{DD}} + 50\text{mV})$  although noise levels will decrease effective resolution at lower reference voltages.

### Automatic Power-Down Mode

Whenever the MAX157/MAX159 are not selected ( $\overline{\text{CS}}/\text{SHDN} = \text{V}_{\text{DD}}$ ), the parts enter their shutdown mode. In shutdown all internal circuitry is turned off, which reduces the supply current to typically less than  $0.2\mu\text{A}$ . With an external reference stable to within 1LSB, the wake-up time is  $2.5\mu\text{s}$ . If the external reference is not stable within 1LSB, the wake-up time must be increased to allow the reference to stabilize.

## Applications Information

### Signal-to-Noise Ratio (SNR)

For a waveform perfectly reconstructed from digital samples, SNR is the ratio of full-scale analog input (RMS value) to the RMS quantization error (residual error). The ideal, theoretical minimum analog-to-digital noise is caused by quantization error only and results directly from the ADC's resolution (N bits):

$$\text{SNR}_{(\text{MAX})} = (6.02 \cdot N + 1.76)\text{dB}$$

In reality, there are other noise sources besides quantization noise: thermal noise, reference noise, clock jitter,

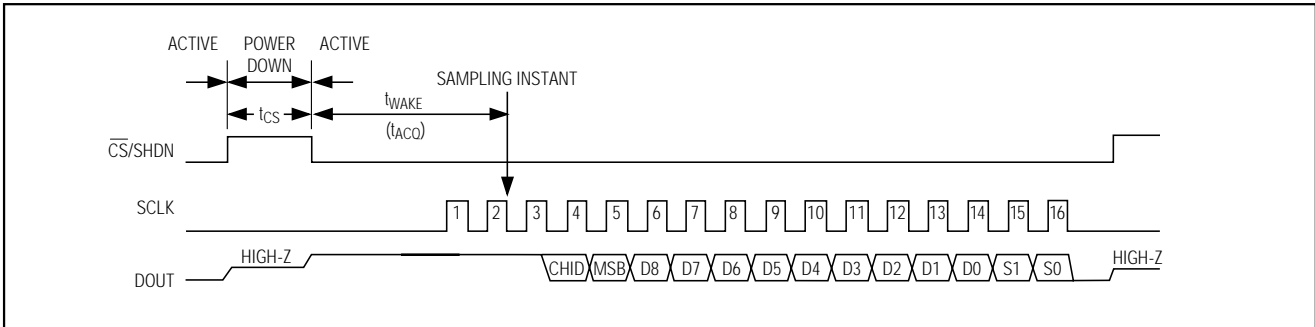


Figure 6. External Clock Mode Timing

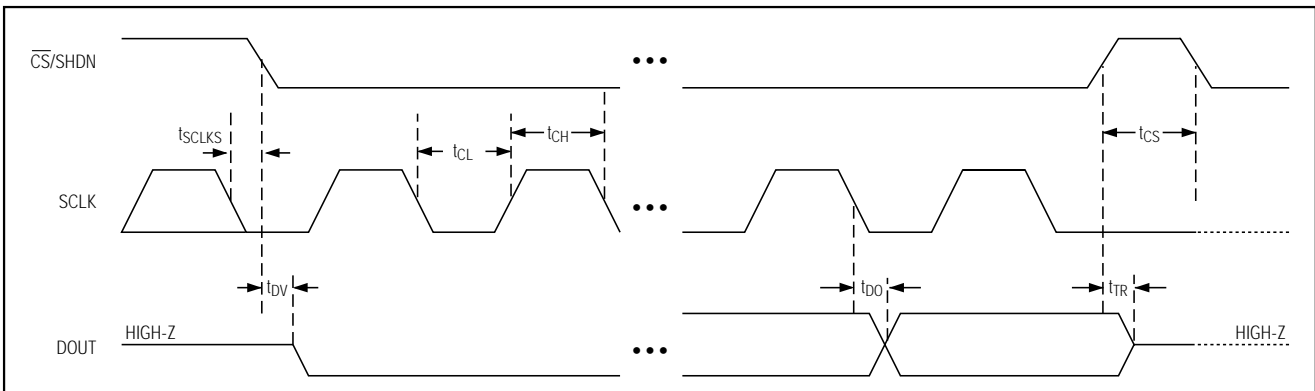


Figure 7. Detailed Serial-Interface Timing Sequence

# +2.7V, Low-Power, 2-Channel, 108ksps, Serial 10-Bit ADCs in 8-Pin $\mu$ MAX

**Table 1. Serial Output Data Stream for Internal and External Clock Mode**

SCLK CYCLE	1	2	3	4	5	6	7	8	9	10	11	12	13	14	15	16
DOUT (Internal Clock)	EOC	1	1	CHID	D9	D8	D7	D6	D5	D4	D3	D2	D1	D0	S1	S0
DOUT (External Clock)	1	1	1	CHID	D9	D8	D7	D6	D5	D4	D3	D2	D1	D0	S1	S0

etc. Therefore, SNR is computed by taking the ratio of the RMS signal to the RMS noise (which includes all spectral components minus the fundamental), the first five harmonics, and the DC offset.

### Signal-to-Noise Plus Distortion (SINAD)

Signal-to-noise plus distortion is the ratio of the fundamental input frequency's RMS amplitude to RMS equivalent of all other ADC output signals:

$$\text{SINAD(dB)} = 20 \cdot \log \left[ \frac{\text{Signal}_{\text{RMS}}}{(\text{Noise} + \text{Distortion})_{\text{RMS}}} \right]$$

### Effective Number of Bits (ENOB)

ENOB indicates the global accuracy of an ADC at a specific input frequency and sampling rate. An ideal ADC's error consists of quantization noise only. With an input range equal to the full-scale range of the ADC, calculate the effective number of bits as follows:

$$\text{ENOB} = (\text{SINAD} - 1.76) / 6.02$$

### Total Harmonic Distortion (THD)

THD is the ratio of the RMS sum of the first five harmonics of the input signal to the fundamental itself. This is expressed as:

$$\text{THD} = 20 \cdot \log \left( \sqrt{\frac{V_2^2 + V_3^2 + V_4^2 + V_5^2}{V_1^2}} \right)$$

where  $V_1$  is the fundamental amplitude and  $V_2$  through  $V_5$  are the amplitudes of the 2nd through 5th-order harmonics.

### Spurious-Free Dynamic Range (SFDR)

SFDR is the ratio of RMS amplitude of the fundamental (maximum signal component) to the RMS value of the next largest spurious component, excluding DC offset.

### Connection to Standard Interfaces

The MAX157/MAX159 interface is fully compatible with SPI/QSPI and MICROWIRE standard serial interfaces.

If a serial interface is available, establish the CPU's serial interface as master so that the CPU generates the

serial clock for the MAX157/MAX159. Select a clock frequency from 100kHz to 2.17MHz (external clock mode).

- 1) Use a general-purpose I/O line on the CPU to pull  $\overline{\text{CS}}/\text{SHDN}$  low while SCLK is low.
- 2) Wait for the minimum wake-up time ( $t_{\text{WAKE}}$ ) specified before activating SCLK.
- 3) Activate SCLK for a minimum of 16 clock cycles. The first falling clock edge will generate a serial data-stream of three leading ones, followed by the channel identification, the MSB of the digitized input signal, and two sub-bits. DOUT transitions on SCLK's falling edge and is available in MSB-first format. Observe the SCLK to DOUT valid timing characteristic. Data should be clocked into the  $\mu\text{P}$  on SCLK's rising edge.
- 4) Pull  $\overline{\text{CS}}/\text{SHDN}$  high at or after the 16th falling clock edge. If  $\overline{\text{CS}}/\text{SHDN}$  remains low, trailing zeros will be clocked out after the sub-bits.
- 5) With  $\overline{\text{CS}}/\text{SHDN}$  high, wait at least 60ns ( $t_{\text{CS}}$ ), before starting a new conversion by pulling  $\overline{\text{CS}}/\text{SHDN}$  low. A conversion can be aborted by pulling  $\overline{\text{CS}}/\text{SHDN}$  high before the conversion ends; wait at least 60ns before starting a new conversion.

Data can be output either in two 8-bit sequences or continuously. The bytes will contain the result of the conversion padded with three leading ones, the channel identification before the MSB, and two trailing sub-bits. If the serial clock hasn't been idled after the last sub-bit (S0) and  $\overline{\text{CS}}/\text{SHDN}$  is kept low, DOUT sends trailing zeros.

### SPI and MICROWIRE Interface

When using SPI (Figure 8a) or MICROWIRE (Figure 8b) interfaces, set  $\text{CPOL} = 0$  and  $\text{CPHA} = 0$ . Conversion begins with a falling edge on  $\overline{\text{CS}}/\text{SHDN}$  (Figure 8c). Two consecutive 8-bit readings are necessary to obtain the entire 10-bit result from the ADC. DOUT data transitions on the serial clock's falling edge and is clocked into the  $\mu\text{P}$  on SCLK's rising edge. The first 8-bit data stream contains three leading ones, followed by channel identification and the first four data bits starting with the MSB. The second 8-bit data stream contains the remaining bits, D5 through D0, and the sub-bits S1 and S0.

# +2.7V, Low-Power, 2-Channel, 108ksps, Serial 10-Bit ADCs in 8-Pin $\mu$ MAX

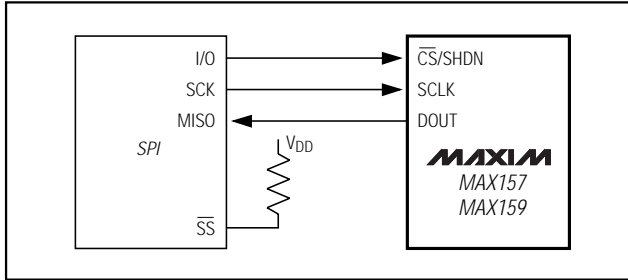


Figure 8a. SPI Connections

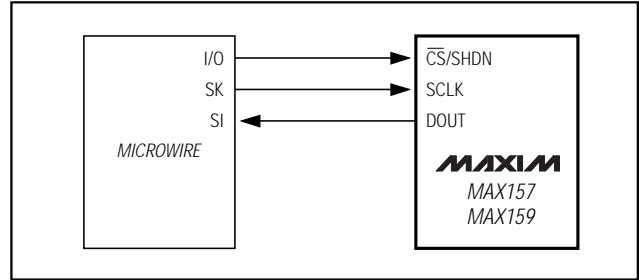


Figure 8b. MICROWIRE Connections

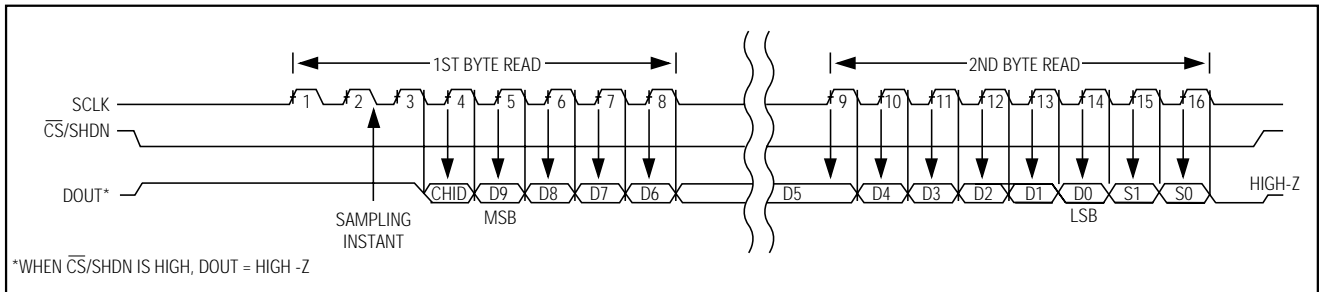


Figure 8c. SPI/MICROWIRE Interface Timing Sequence (CPOL = CPHA = 0)

## QSPI Interface

Using the high-speed QSPI interface with CPOL = 0 and CPHA = 0, the MAX157/MAX159 supports a maximum  $f_{SCLK}$  of 2.17MHz. The QSPI circuit in Figure 9a can be programmed to perform a conversion on each of the two channels for the MAX157.

Figure 9b shows the QSPI interface timing.

## PIC16 with SSP Module and PIC17 Interface

The MAX157/MAX159 are compatible with a PIC16/PIC17 microcontroller ( $\mu$ C), using the synchronous serial port (SSP) module.

To establish SPI communication, connect the controller as shown in Figure 10a and configure the PIC16/PIC17 as system master by initializing its synchronous serial port control register (SSPCON) and synchronous serial port status register (SSPSTAT) to the bit patterns shown in Tables 2 and 3.

In SPI mode, the PIC16/PIC17  $\mu$ Cs allow eight bits of data to be synchronously transmitted and received simultaneously. Two consecutive 8-bit readings (Figure 10b) are necessary to obtain the entire 10-bit result from the ADC. DOUT data transitions on the serial clock's falling edge and is clocked into the  $\mu$ C on SCLK's rising edge. The first 8-bit data stream contains

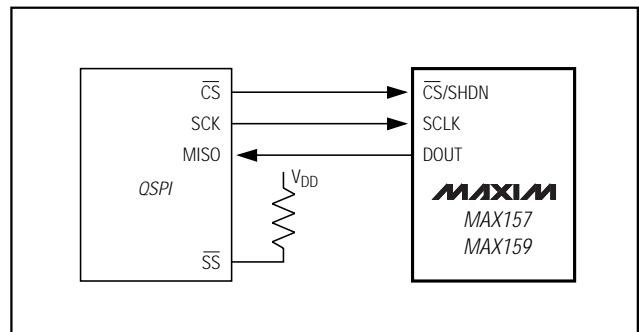


Figure 9a. QSPI Connections

three leading ones, the channel identification, and the first four data bits starting with the MSB. The second 8-bit data stream contains the remaining bits, D5 through D0, and the two sub-bits S1 and S0.

## Layout, Grounding, and Bypassing

For best performance use printed circuit boards (PCBs), wire-wrap configurations are not recommended, since the layout should ensure proper separation of analog and digital traces. Run analog and digital lines anti-parallel to each other, and don't layout digital signal paths underneath the ADC package. Use separate analog and digital PCB ground sections with only one

# +2.7V, Low-Power, 2-Channel, 108ksps, Serial 10-Bit ADCs in 8-Pin $\mu$ MAX

MAX157/MAX159

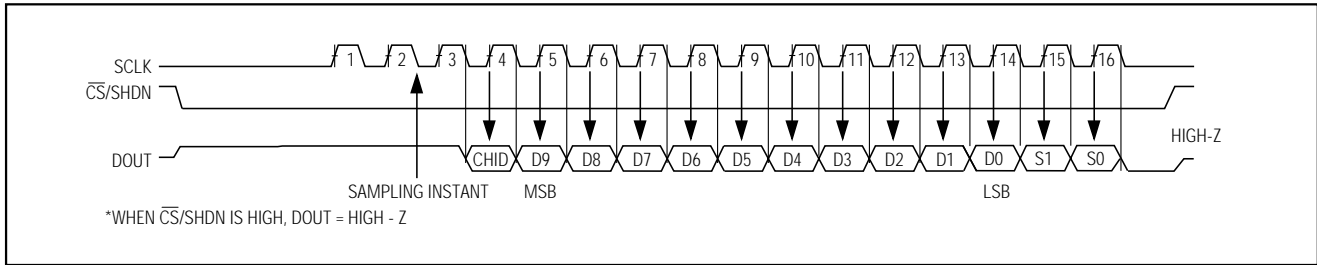


Figure 9b. QSPI Interface Timing Sequence (CPOL = CPHA = 0)

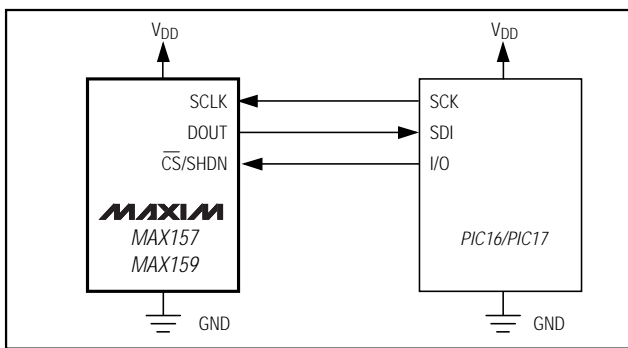


Figure 10a. SPI Interface Connection for a PIC16/PIC17 Controller

star-point (Figure 11) connecting the two ground systems (analog and digital). For lowest-noise operation, ensure the ground return to the star ground's power supply is low impedance and as short as possible. Route digital signals far away from sensitive analog and reference inputs.

High-frequency noise in the power supply ( $V_{DD}$ ) could influence the proper operation of the ADC's fast comparator. Bypass  $V_{DD}$  to the star ground with a network of two parallel capacitors,  $0.1\mu\text{F}$  and  $1\mu\text{F}$ , located as close as possible to the power supply pin of the MAX157/MAX159. Minimize capacitor lead length for best supply-noise rejection and add an attenuation resistor ( $10\Omega$ ) if the power supply is extremely noisy.

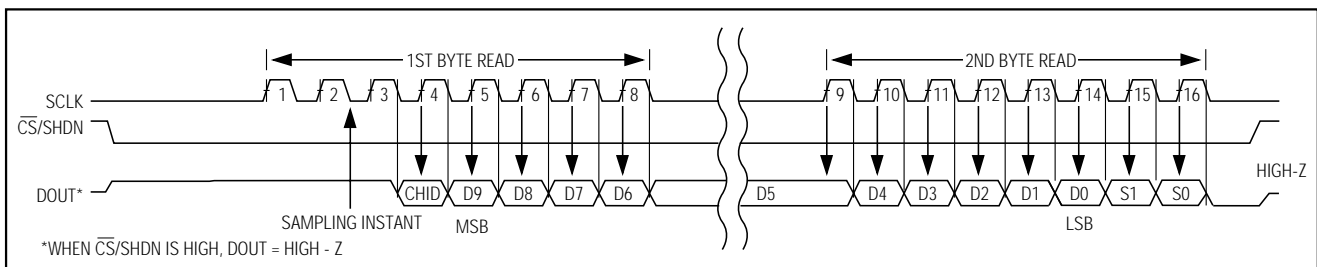


Figure 10b. SPI Interface Timing Sequence with PIC16/17 in Master Mode (CKE = 1, CKP = 0, SMP = 0, SSPM3-SSPM0 = 0001)

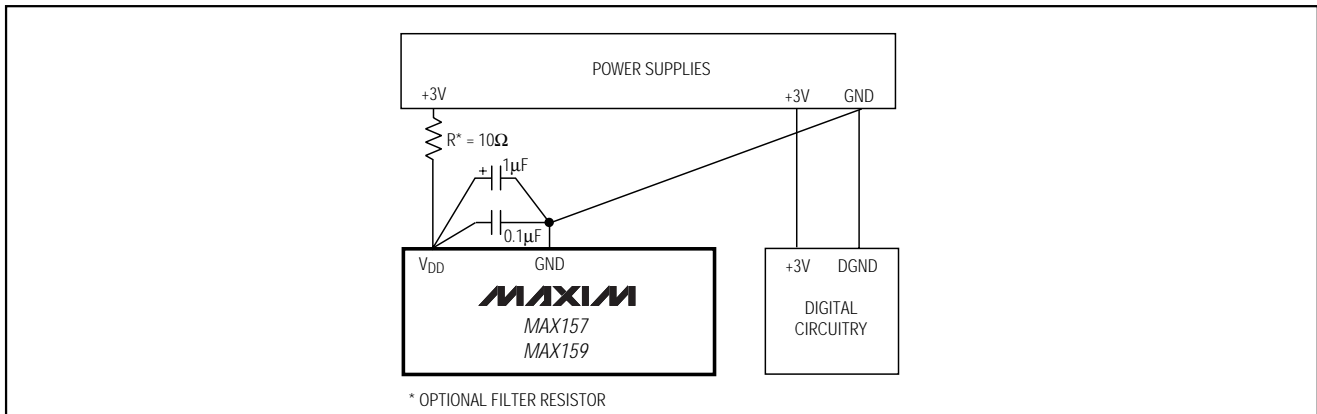


Figure 11. Power-Supply Bypassing and Grounding

# +2.7V, Low-Power, 2-Channel, 108ksps, Serial 10-Bit ADCs in 8-Pin $\mu$ MAX

MAX157/MAX159

**Table 2. Detailed SSPCON Register Content**

CONTROL BIT		MAX157/MAX159 SETTINGS	SYNCHRONOUS SERIAL PORT CONTROL REGISTER (SSPCON)
WCOL	Bit 7	X	Write Collision Detection Bit
SSPOV	Bit 6	X	Receive Overflow Detect Bit
SSPEN	Bit 5	1	Synchronous Serial Port Enable Bit 0: Disables serial port and configures these pins as I/O port pins. 1: Enables serial port and configures SCK, SDO and SCI pins as serial port pins.
CKP	Bit 4	0	Clock Polarity Select Bit. CKP = 0 for SPI master mode selection.
SSPM3	Bit 3	0	Synchronous Serial Port Mode Select Bit. Sets SPI master mode and selects $f_{CLK} = f_{OSC} / 16$ .
SSPM2	Bit 2	0	
SSPM1	Bit 1	0	
SSPM0	Bit 0	1	

X = Don't care

**Table 3. Detailed SSPSTAT Register Content**

CONTROL BIT		MAX157/MAX159 SETTINGS	SYNCHRONOUS SERIAL STATUS REGISTER (SSPSTAT)
SMP	Bit 7	0	SPI Data Input Sample Phase. Input data is sampled at the middle of the data output time.
CKE	Bit 6	1	SPI Clock Edge Select Bit. Data will be transmitted on the rising edge of the serial clock.
D/A	Bit 5	X	Data Address Bit
P	Bit 4	X	Stop Bit
S	Bit 3	X	Start Bit
R/W	Bit 2	X	Read/Write Bit Information
UA	Bit 1	X	Update Address
BF	Bit 0	X	Buffer Full Status Bit

X = Don't care

# +2.7V, Low-Power, 2-Channel, 108ksps, Serial 10-Bit ADCs in 8-Pin $\mu$ MAX

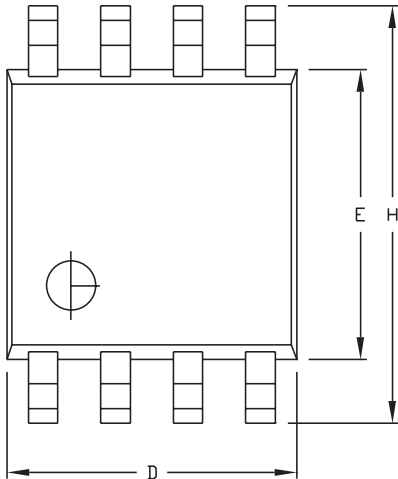
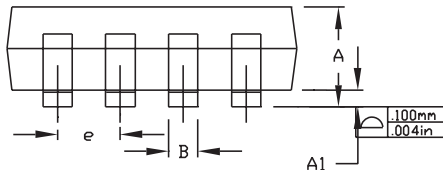
## Chip Information

TRANSISTOR COUNT: 2,058

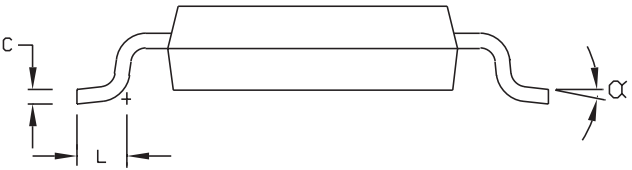
SUBSTRATE CONNECTED TO GND

MAX157/MAX159

## Package Information

	INCHES		MILLIMETERS		JEDEC			
	MIN	MAX	MIN	MAX	MIN	MAX	MIN	MAX
A	0.037	0.043	0.94	1.10	---	0.043	---	1.10
A1	0.002	0.006	0.05	0.15	0.002	0.006	0.05	0.15
B	0.010	0.014	0.25	0.36	0.010	0.016	0.25	0.40
C	0.005	0.007	0.13	0.18	0.005	0.009	0.13	0.23
D	0.116	0.120	2.95	3.05	0.114	0.122	2.9	3.1
e	0.0256	BSC	0.65	BSC	0.0256	BSC	0.64	BSC
E	0.116	0.120	2.95	3.05	0.114	0.122	2.9	3.1
H	0.188	0.198	4.78	5.03	0.193	BSC	4.9	BSC
L	0.016	0.026	0.41	0.66	0.016	0.027	0.40	0.70
$\alpha$	0°	6°	0°	6°	0°	6°	0°	6°



**NOTES:**

- D&E DO NOT INCLUDE MOLD FLASH.
- MOLD FLASH OR PROTRUSIONS NOT TO EXCEED .15mm(.006").
- CONTROLLING DIMENSION: INCHES.
- MEETS JEDEC MO-187.

PROPRIETARY INFORMATION

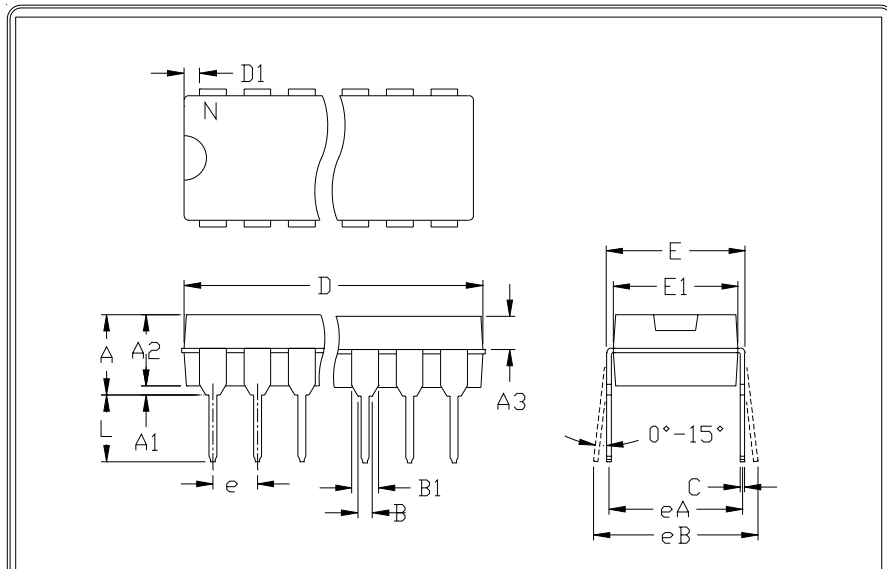
TITLE:  
8LD  $\mu$ MAX PACKAGE OUTLINE DWG.

APPROVAL	DOCUMENT CONTROL NO. 21-0036	REV E 1/1
----------	---------------------------------	--------------

8LDUMAXD.EPS

# +2.7V, Low-Power, 2-Channel, 108ksps, Serial 10-Bit ADCs in 8-Pin $\mu$ MAX

Package Information (continued)



	INCHES		MILLIMETERS	
	MIN	MAX	MIN	MAX
A	---	0.200	---	5.08
A1	0.015	---	0.38	---
A2	0.125	0.175	3.18	4.45
A3	0.055	0.080	1.40	2.03
B	0.016	0.022	0.41	0.56
B1	0.045	0.065	1.14	1.65
C	0.008	0.012	0.20	0.30
D1	0.005	0.080	0.13	2.03
E	0.300	0.325	7.62	8.26
E1	0.240	0.310	6.10	7.87
e	0.100	---	2.54	---
eA	0.300	---	7.62	---
eB	---	0.400	---	10.16
L	0.115	0.150	2.92	3.81

	INCHES		MILLIMETERS		N	MS001
	MIN	MAX	MIN	MAX		
D	0.348	0.390	8.84	9.91	8	AB
D	0.735	0.765	18.67	19.43	14	AC
D	0.745	0.765	18.92	19.43	16	AA
D	0.885	0.915	22.48	23.24	18	AD
D	1.015	1.045	25.78	26.54	20	AE
D	1.14	1.265	28.96	32.13	24	AF
D	1.360	1.380	34.54	35.05	28	*5

- NOTES:
1. D & E DO NOT INCLUDE MOLD FLASH
  2. MOLD FLASH OR PROTRUSIONS NOT TO EXCEED .15mm (.006")
  3. CONTROLLING DIMENSION: MILLIMETER
  4. MEETS JEDEC MS001-XX AS SHOWN IN ABOVE TABLE
  5. SIMILAR TO JEDEC MO-058AB
  6. N = NUMBER OF PINS


**PACKAGE FAMILY OUTLINE: PDIP .300"**


**21-0043 A**  
DOCUMENT CONTROL NUMBER REV

Maxim cannot assume responsibility for use of any circuitry other than circuitry entirely embodied in a Maxim product. No circuit patent licenses are implied. Maxim reserves the right to change the circuitry and specifications without notice at any time.