

DATA SHEET



PCF2119x LCD controllers/drivers

Product specification
Supersedes data of 1997 Nov 21
File under Integrated Circuits, IC12

1999 Mar 02

LCD controllers/drivers**PCF2119x**

CONTENTS	9	EXTENDED FUNCTION SET
		INSTRUCTIONS AND FEATURES
1		9.1 New instructions
1.1		9.2 Icon control
2		9.3 IM
3		9.4 IB
4		9.5 Normal/icon mode operation
5		9.6 Screen configuration
6		9.7 Display configuration
6.1		9.8 TC1 and TC2
7		9.9 Set V_{LCD}
7.1		9.10 Reducing current consumption
7.2		10
7.3		10.1 INTERFACES TO MPU
7.4		10.2 Parallel interface
7.5		11 I ² C-bus interface
7.6		12
7.7		13 LIMITING VALUES
7.8		14 HANDLING
7.9		15 DC CHARACTERISTICS
7.10		16 AC CHARACTERISTICS
7.11		17 TIMING CHARACTERISTICS
7.12		18 APPLICATION INFORMATION
7.13		16.1 8-bit operation, 1-line display using external reset
7.14		16.2 4-bit operation, 1-line display using external reset
7.15		16.3 8-bit operation, 2-line display
7.16		16.4 I ² C-bus operation, 1-line display
7.17		17 BONDING PAD LOCATIONS
8		18 DEFINITIONS
8.1		19 LIFE SUPPORT APPLICATIONS
8.2		20 PURCHASE OF PHILIPS I ² C COMPONENTS
8.3		
8.4		
8.5		
8.6		
8.7		
8.8		
8.9		
8.10		
8.11		

LCD controllers/drivers

PCF2119x

1 FEATURES

- Single-chip LCD controller/driver
- 2-line display of up to 16 characters + 160 icons, or 1-line display of up to 32 characters + 160 icons
- 5×7 character format plus cursor; 5×8 for kana (Japanese) and user defined symbols
- Icon mode: reduced current consumption while displaying icons only
- Icon blink function
- On-chip:
 - Generation of LCD supply voltage, independent of V_{DD} , programmable by instruction (external supply also possible)
 - Temperature compensation of on-chip generated V_{LCD} : -8 to -12 mV/K at 5.0 V (programmable by instruction)
 - Generation of intermediate LCD bias voltages
 - Oscillator requires no external components (external clock also possible).
- Display Data RAM: 80 characters
- Character Generator ROM: 240, 5×8 characters
- Character Generator RAM: 16, 5×8 characters; 4 characters used to drive 160 icons, 8 characters used if icon blink feature is used in application
- 4 or 8-bit parallel bus and 2-wire I²C-bus interface
- CMOS compatible
- 18 row and 80 column outputs
- Multiplex rates 1 : 18 (for normal operation), 1 : 9 (for single line operation) and 1 : 2 (for icon only mode)
- Uses common 11 code instruction set (extended)
- Logic supply voltage range, $V_{DD} - V_{SS} = 2.2$ to 4.0 V (up to 5.5 V if external V_{LCD} is used); chip may be driven with two battery cells
- Display supply voltage range, $V_{LCD} - V_{SS} = 2.2$ to 6.5 V



- Very low current consumption (20 to 200 μ A):
 - Icon mode: $<25 \mu$ A
 - Power-down mode: $<2 \mu$ A.

1.1 Note

Icon mode is used to save current. When only icons are displayed, a much lower operating voltage V_{LCD} can be used and the switching frequency of the LCD outputs is reduced. In most applications it is possible to use V_{DD} as V_{LCD} .

2 APPLICATIONS

- Telecom equipment
- Portable instruments
- Point-of-sale terminals.

3 GENERAL DESCRIPTION

The PCF2119x is a low power CMOS LCD controller and driver, designed to drive a dot matrix LCD display of 2-line by 16 or 1-line by 32 characters with 5×8 dot format. All necessary functions for the display are provided in a single chip, including on-chip generation of LCD bias voltages, resulting in a minimum of external components and lower system current consumption. The PCF2119x interfaces to most microcontrollers via a 4 or 8-bit bus or via the 2-wire I²C-bus. The chip contains a character generator and displays alphanumeric and kana (Japanese) characters. The letter 'x' in PCF2119x characterizes the built-in character set. Various character sets can be manufactured on request.

4 ORDERING INFORMATION

TYPE NUMBER	PACKAGE		
	NAME	DESCRIPTION	VERSION
PC2119RU/2	–	chip with bumps in tray	–
PC2119SU/2	–	chip with bumps in tray	–
PC2119VU/2	–	chip with bumps in tray	–

LCD controllers/drivers

PCF2119x

5 BLOCK DIAGRAM

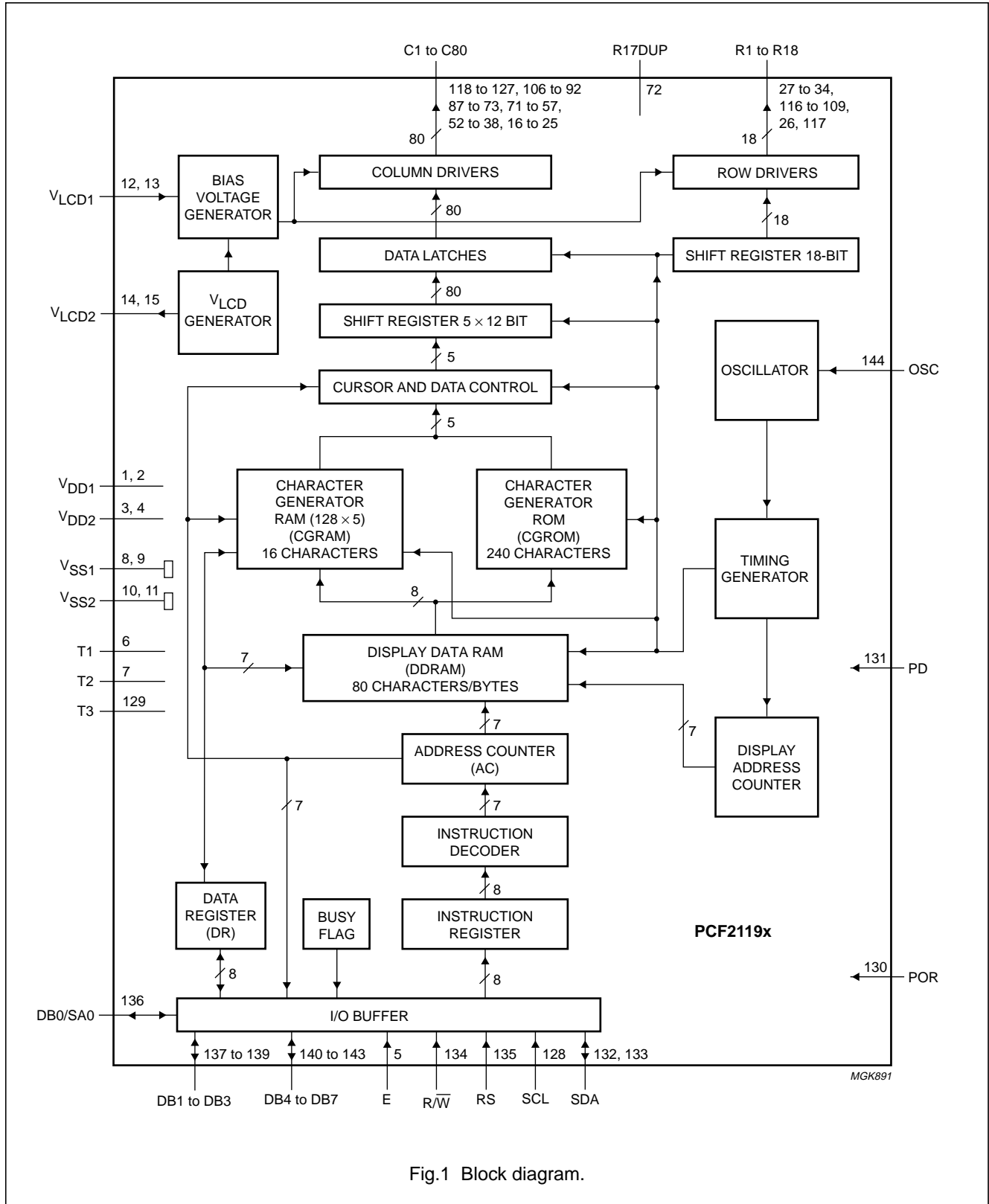


Fig.1 Block diagram.

LCD controllers/drivers

PCF2119x

6 PAD INFORMATION

The identification of each pad and its location is given in Chapter 17.

6.1 Pad functions**Table 1** Pad function description

SYMBOL	DESCRIPTION
V _{DD1}	Supply voltage for all except the high voltage generator.
V _{DD2}	Supply voltage for the high voltage generator.
V _{SS1}	This is the ground pad for all except the high voltage generator.
V _{SS2}	This is the ground pad for the high voltage generator.
V _{LCD1}	This input is used for the generation of the LCD bias levels.
V _{LCD2}	This is the V _{LCD} output pad if V _{LCD} is generated internally. This pad must be connected to V _{LCD1} .
E	The data bus clock input is set HIGH to signal the start of a read or write operation; data is clocked in or out of the chip on the negative edge of the clock; note 1.
T1	These are three test pads. T1 and T2 must be connected to V _{SS1} ; T3 is left open-circuit and is not user accessible.
T2	
T3	
R1 to R18; R17DUP	LCD row driver outputs R1 to R18; these pads output the row select waveforms to the display; R17 and R18 drive the icons. R17 has two pads R17 and R17DUP.
C1 to C80	LCD column driver outputs C1 to C80.
SCL	I ² C-bus serial clock input; note 1.
POR	External power-on reset input.
PD	PD selects the chip power-down mode; for normal operation PD = 0.
SDA	I ² C-bus serial data input/output; note 1.
R \overline{W}	This is the read/write input. R \overline{W} selects either the read (R \overline{W} = 1) or write (R \overline{W} = 0) operation. This pad has an internal pull-up resistor.
RS	The RS input selects the register to be accessed for read and write. RS = 0, selects the instruction register for write and the busy flag and address counter for read. RS = 1, selects the data register for both read and write. This pad has an internal pull-up resistor.
DB0 to DB7	The 8-bit bidirectional data bus (3-state) transfers data between the system controller and the PCF2119x. DB7 may be used as the busy flag, signalling that internal operations are not yet completed. In 4-bit operations the 4 higher order lines DB7 to DB4 are used; DB3 to DB0 must be left open-circuit. Data bus line DB3 has an alternative function (SA0), when selected this is the I ² C-bus address pad. Each data line has its own internal pull-up resistor; note 1.
OSC	Oscillator or external clock input. When the on-chip oscillator is used this pad must be connected to V _{DD1} .

Note

1. When the I²C-bus is used, the parallel interface pad E must be at logic 0. In the I²C-bus read mode DB7 to DB0 should be connected to V_{DD1} or left open-circuit.
 - a) When the parallel bus is used, pads SCL and SDA must be connected to V_{SS1} or V_{DD1}; they must not be left open-circuit.
 - b) If the 4-bit interface is used without reading out from the PCF2119x (i.e. R \overline{W} is set permanently to logic 0), the unused ports DB0 to DB4 can either be set to V_{SS1} or V_{DD1} instead of leaving them open-circuit.

LCD controllers/drivers

PCF2119x

7 FUNCTIONAL DESCRIPTION**7.1 LCD supply voltage generator**

The LCD supply voltage may be generated on-chip. The voltage generator is controlled by two internal 6-bit registers: V_A and V_B . The nominal LCD operating voltage at room temperature is given by the relationship:

$$V_{OP(nom)} = (\text{integer value of register} \times 0.082) + 1.82$$

7.2 Programming ranges

Programmed value: 1 to 63. Voltage: 1.902 to 6.986 V.
 $T_{ref} = 27\text{ }^{\circ}\text{C}$.

Values producing more than 6.5 V at operating temperature are not allowed. Operation above this voltage may damage the device. When programming the operating voltage the V_{LCD} temperature coefficient must be taken into account.

Values below 2.2 V are below the specified operating range of the chip and are therefore not allowed.

Value 0 for V_A and V_B switches the generator off (i.e. $V_A = 0$ in character mode, $V_B = 0$ in icon mode).

Usually register V_A is programmed with the voltage for character mode and register V_B with the voltage for icon mode.

Table 2 Bias levels as a function of multiplex rate

MULTIPLEX RATE	NUMBER OF LEVELS	V_1	V_2	V_3	V_4	V_5	V_6
1 : 18	5	V_{op}	$3/4^{(1)}$	$1/2$	$1/2$	$1/4$	V_{ss}
1 : 9	5	V_{op}	$3/4$	$1/2$	$1/2$	$1/4$	V_{ss}
1 : 2	4	V_{op}	$2/3$	$2/3$	$1/3$	$1/3$	V_{ss}

Note

- The values in the above table are given relative to $V_{op} - V_{ss}$, e.g. $3/4$ means $3/4 \times (V_{op} - V_{ss})$.

7.4 Oscillator

The on-chip oscillator provides the clock signal for the display system. No external components are required and the OSC pad must be connected to V_{DD} .

When V_{LCD} is generated on-chip the V_{LCD} pads should be decoupled to V_{SS} with a suitable capacitor. The generated V_{LCD} is independent of V_{DD} and is temperature compensated. When the generator is switched off an external voltage may be supplied at connected pads $V_{LCD1,2}$. $V_{LCD1,2}$ may be higher or lower than V_{DD} .

The LCD supply voltage generator ensures that, as long as V_{DD} is in the valid range (2.2 to 4 V), the required peak voltage $V_{OP} = 5.2$ V can be generated at any time.

7.3 LCD bias voltage generator

The intermediate bias voltages for the LCD display are also generated on-chip. This removes the need for an external resistive bias chain and significantly reduces the system current consumption. The optimum value of V_{LCD} depends on the multiplex rate, the LCD threshold voltage (V_{th}) and the number of bias levels. Using a 5-level bias scheme for 1 : 18 maximum rate allows $V_{LCD} < 5$ V for most LCD liquids. The intermediate bias levels for the different multiplex rates are shown in Table 2. These bias levels are automatically set to the given values when switching to the corresponding multiplex rate.

LCD controllers/drivers

PCF2119x

7.5 External clock

If an external clock is to be used this is input at the OSC pad. The resulting display frame frequency is given by:

$$f_{\text{frame}} = \frac{f_{\text{osc}}}{3072}$$

Only in the power-down state is the clock allowed to be stopped (OSC connected to V_{SS}), otherwise the LCD is frozen in a DC state.

7.6 Power-on reset

The PC2119x must be reset externally. This is an internal synchronous reset that requires 3 OSC cycles to be executed after release of the external reset signal. If no external reset is performed, the chip might start-up in an unwanted state. The external reset is active HIGH.

7.7 Power-down mode

The chip can be put into power-down mode where all static currents are switched off (no internal oscillator, no bias level generation and all LCD outputs are internally connected to V_{SS}) when PD = 1.

During power-down, information in the RAMs and the chip state are preserved. Instruction execution during power-down is possible when pad OSC is externally clocked.

7.8 Registers

The PCF2119x has two 8-bit registers, an Instruction Register (IR) and a Data Register (DR). The Register Select signal (RS) determines which register will be accessed. The instruction register stores instruction codes such as 'display clear' and 'cursor shift', and address information for the Display Data RAM (DDRAM) and Character Generator RAM (CGRAM).

The instruction register can be written to but not read from by the system controller. The data register temporarily stores data to be read from the DDRAM and CGRAM.

When reading, data from the DDRAM or CGRAM corresponding to the address in the instruction register is written to the data register prior to being read by the 'read data' instruction.

7.9 Busy flag

The busy flag indicates the internal status of the PCF2119x. A logic 1 indicates that the chip is busy and further instructions will not be accepted. The busy flag is output to pad DB7 when RS = 0 and R/W = 1. Instructions should only be written after checking that the busy flag is at logic 0 or waiting for the required number of cycles.

7.10 Address Counter (AC)

The address counter assigns addresses to the DDRAM and CGRAM for reading and writing and is set by the commands 'set CGRAM address' and 'set DDRAM address'. After a read/write operation the address counter is automatically incremented or decremented by 1. The address counter contents are output to the bus (DB6 to DB0) when RS = 0 and R/W = 1.

7.11 Display Data RAM (DDRAM)

The DDRAM stores up to 80 characters of display data represented by 8-bit character codes. RAM locations which are not used for storing display data can be used as general purpose RAM. The basic RAM to display addressing scheme is shown in Fig.2. With no display shift the characters represented by the codes in the first 32 RAM locations starting at address 00H in line 1 are displayed. Figures 3 and 4 show the display mapping for right and left shift respectively.

When data is written to or read from the DDRAM wrap-around occurs from the end of one line to the start of the next line. When the display is shifted each line wraps around within itself, independently of the others. Thus all lines are shifted and wrapped around together.

The address ranges and wrap-around operations for the various modes are shown in Table 3.

Table 3 Address space and wrap-around operation

MODE	1 × 32	2 × 16	1 × 9
Address space	00 to 4F	00 to 27; 40 to 67	00 to 27
Read/write wrap-around (moves to next line)	4F to 00	27 to 40; 67 to 00	27 to 00
Display shift wrap-around (stays within line)	Do not use (make sure, that 4F and 00 are not displayed at the same time.)	27 to 00; 67 to 40	27 to 00

LCD controllers/drivers

PCF2119x

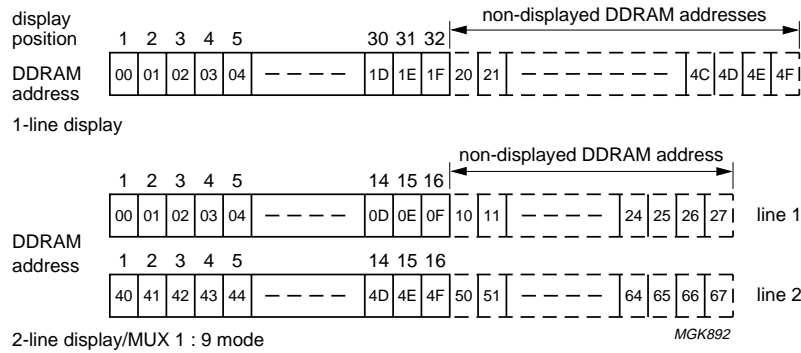


Fig.2 DDRAM to display mapping: no shift.

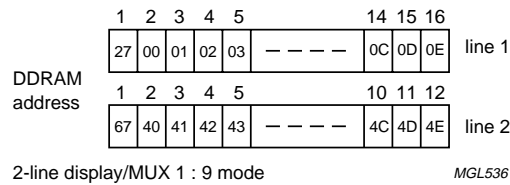


Fig.3 DDRAM to display mapping: right shift: (For 1 × 32 only as long as 4F and 00 positions are not on display simultaneously).

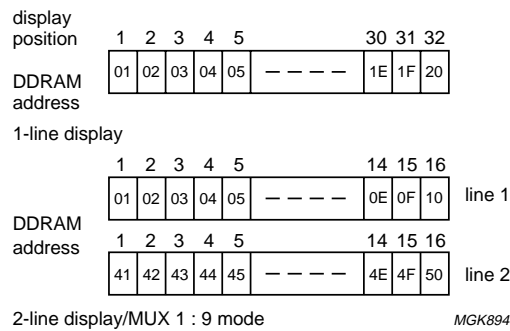


Fig.4 DDRAM to display mapping; left shift: (For 1 × 32 only as long as 4F and 00 positions are not on display simultaneously).

LCD controllers/drivers

PCF2119x

7.12 Character Generator ROM (CGROM)

The Character Generator ROM generates 240 character patterns in a 5 x 8 dot format from 8-bit character codes. Figure 6 shows the character set that is currently implemented.

7.13 Character Generator RAM (CGRAM)

Up to 16 user defined characters may be stored in the Character Generator RAM. Some CGRAM characters (see Fig.17) are also used to drive icons (6 if icons blink and both icon rows are used in the application; 3 if no blink but both icon rows are used in the application; 0 if no icons are driven by the icon rows). The CGROM and CGRAM use a common address space, of which the first column is reserved for the CGRAM (see Fig.6). Figure 9 shows the addressing principle for the CGRAM.

7.14 Cursor control circuit

The cursor control circuit generates the cursor (underline and/or cursor blink as shown in Fig.5) at the DDRAM address contained in the address counter.

When the address counter contains the CGRAM address the cursor will be inhibited.

7.15 Timing generator

The timing generator produces the various signals required to drive the internal circuitry. Internal chip operation is not disturbed by operations on the data buses.

7.16 LCD row and column drivers

The PCF2119x contains 18 row and 80 column drivers, which connect the appropriate LCD bias voltages in sequence to the display in accordance with the data to be displayed. R17 and R18 drive the icon rows.

The bias voltages and the timing are selected automatically when the number of lines in the display is selected. Figures 10 to 13 show typical waveforms. Unused outputs should be left unconnected.

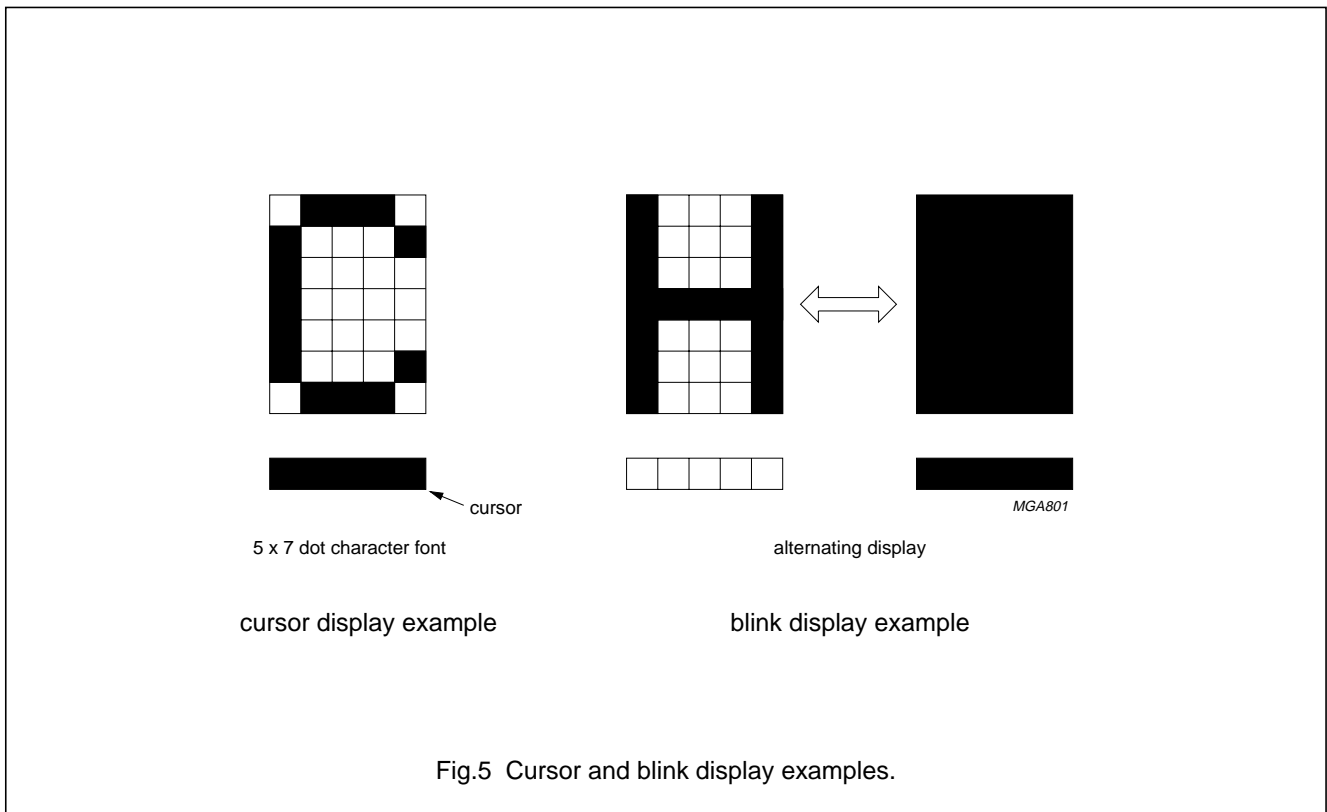


Fig.5 Cursor and blink display examples.

LCD controllers/drivers

PCF2119x

lower 4 bits \ upper 4 bits	0000	0001	0010	0011	0100	0101	0110	0111	1000	1001	1010	1011	1100	1101	1110	1111
xxxx 0000	1	⦿	⦿	⦿	⦿	⦿	⦿	⦿	⦿	⦿	⦿	⦿	⦿	⦿	⦿	⦿
xxxx 0001	2	⦿	⦿	⦿	⦿	⦿	⦿	⦿	⦿	⦿	⦿	⦿	⦿	⦿	⦿	⦿
xxxx 0010	3	⦿	⦿	⦿	⦿	⦿	⦿	⦿	⦿	⦿	⦿	⦿	⦿	⦿	⦿	⦿
xxxx 0011	4	⦿	⦿	⦿	⦿	⦿	⦿	⦿	⦿	⦿	⦿	⦿	⦿	⦿	⦿	⦿
xxxx 0100	5	⦿	⦿	⦿	⦿	⦿	⦿	⦿	⦿	⦿	⦿	⦿	⦿	⦿	⦿	⦿
xxxx 0101	6	⦿	⦿	⦿	⦿	⦿	⦿	⦿	⦿	⦿	⦿	⦿	⦿	⦿	⦿	⦿
xxxx 0110	7	⦿	⦿	⦿	⦿	⦿	⦿	⦿	⦿	⦿	⦿	⦿	⦿	⦿	⦿	⦿
xxxx 0111	8	⦿	⦿	⦿	⦿	⦿	⦿	⦿	⦿	⦿	⦿	⦿	⦿	⦿	⦿	⦿
xxxx 1000	9	⦿	⦿	⦿	⦿	⦿	⦿	⦿	⦿	⦿	⦿	⦿	⦿	⦿	⦿	⦿
xxxx 1001	10	⦿	⦿	⦿	⦿	⦿	⦿	⦿	⦿	⦿	⦿	⦿	⦿	⦿	⦿	⦿
xxxx 1010	11	⦿	⦿	⦿	⦿	⦿	⦿	⦿	⦿	⦿	⦿	⦿	⦿	⦿	⦿	⦿
xxxx 1011	12	⦿	⦿	⦿	⦿	⦿	⦿	⦿	⦿	⦿	⦿	⦿	⦿	⦿	⦿	⦿
xxxx 1100	13	⦿	⦿	⦿	⦿	⦿	⦿	⦿	⦿	⦿	⦿	⦿	⦿	⦿	⦿	⦿
xxxx 1101	14	⦿	⦿	⦿	⦿	⦿	⦿	⦿	⦿	⦿	⦿	⦿	⦿	⦿	⦿	⦿
xxxx 1110	15	⦿	⦿	⦿	⦿	⦿	⦿	⦿	⦿	⦿	⦿	⦿	⦿	⦿	⦿	⦿
xxxx 1111	16	⦿	⦿	⦿	⦿	⦿	⦿	⦿	⦿	⦿	⦿	⦿	⦿	⦿	⦿	⦿

MGL535

Fig.6 Character set 'R' in CGROM.

LCD controllers/drivers

PCF2119x

lower 4 bits \ upper 4 bits	0000	0001	0010	0011	0100	0101	0110	0111	1000	1001	1010	1011	1100	1101	1110	1111
xxxx 0000	1	▀		□	▣	▤	▥	▦	▧	▨	▩	▪	▫	▬	▭	▮
xxxx 0001	2	⊕	⊖	⊗	⊘	⊙	⊚	⊛	⊜	⊝	⊞	⊟	⊠	⊡	⊢	⊣
xxxx 0010	3	⊤	⊥	⊦	⊧	⊨	⊩	⊪	⊫	⊬	⊭	⊮	⊯	⊰	⊱	⊲
xxxx 0011	4	⊳	⊴	⊵	⊶	⊷	⊸	⊹	⊺	⊻	⊼	⊽	⊾	⊿	Ⓚ	Ⓛ
xxxx 0100	5	Ⓜ	Ⓨ	Ⓩ	ⓐ	ⓑ	ⓓ	ⓔ	ⓖ	ⓗ	ⓘ	ⓙ	ⓚ	ⓛ	ⓜ	ⓞ
xxxx 0101	6	ⓟ	ⓠ	ⓡ	ⓢ	ⓣ	ⓤ	⓶	⓷	⓸	⓹	⓺	⓻	⓼	⓽	⓿
xxxx 0110	7	⓿	⓫	⓬	⓭	⓮	⓯	⓰	⓱	⓲	⓳	⓴	⓵	⓶	⓷	⓸
xxxx 0111	8	⓹	⓺	⓻	⓼	⓽	⓾	⓿	⓫	⓬	⓭	⓮	⓯	⓰	⓱	⓲
xxxx 1000	9	⓳	⓴	⓵	⓶	⓷	⓸	⓹	⓺	⓻	⓼	⓽	⓾	⓿	⓫	⓬
xxxx 1001	10	⓯	⓰	⓱	⓲	⓳	⓴	⓵	⓶	⓷	⓸	⓹	⓺	⓻	⓼	⓽
xxxx 1010	11	⓾	⓿	⓫	⓬	⓭	⓮	⓯	⓰	⓱	⓲	⓳	⓴	⓵	⓶	⓷
xxxx 1011	12	⓸	⓹	⓺	⓻	⓼	⓽	⓾	⓿	⓫	⓬	⓭	⓮	⓯	⓰	⓱
xxxx 1100	13	⓱	⓲	⓳	⓴	⓵	⓶	⓷	⓸	⓹	⓺	⓻	⓼	⓽	⓾	⓿
xxxx 1101	14	⓴	⓵	⓶	⓷	⓸	⓹	⓺	⓻	⓼	⓽	⓾	⓿	⓫	⓬	⓭
xxxx 1110	15	⓷	⓸	⓹	⓺	⓻	⓼	⓽	⓾	⓿	⓫	⓬	⓭	⓮	⓯	⓰
xxxx 1111	16	⓰	⓱	⓲	⓳	⓴	⓵	⓶	⓷	⓸	⓹	⓺	⓻	⓼	⓽	⓾

MGL534

Fig.7 Character set 'S' in CGROM.

LCD controllers/drivers

PCF2119x

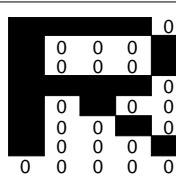
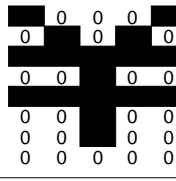
upper 4 bits lower 4 bits	0000	0001	0010	0011	0100	0101	0110	0111	1000	1001	1010	1011	1100	1101	1110	1111
xxxx 0000	1	⦿	⦿	⦿	⦿	⦿	⦿	⦿	⦿	⦿	⦿	⦿	⦿	⦿	⦿	⦿
xxxx 0001	2	⦿	⦿	⦿	⦿	⦿	⦿	⦿	⦿	⦿	⦿	⦿	⦿	⦿	⦿	⦿
xxxx 0010	3	⦿	⦿	⦿	⦿	⦿	⦿	⦿	⦿	⦿	⦿	⦿	⦿	⦿	⦿	⦿
xxxx 0011	4	⦿	⦿	⦿	⦿	⦿	⦿	⦿	⦿	⦿	⦿	⦿	⦿	⦿	⦿	⦿
xxxx 0100	5	⦿	⦿	⦿	⦿	⦿	⦿	⦿	⦿	⦿	⦿	⦿	⦿	⦿	⦿	⦿
xxxx 0101	6	⦿	⦿	⦿	⦿	⦿	⦿	⦿	⦿	⦿	⦿	⦿	⦿	⦿	⦿	⦿
xxxx 0110	7	⦿	⦿	⦿	⦿	⦿	⦿	⦿	⦿	⦿	⦿	⦿	⦿	⦿	⦿	⦿
xxxx 0111	8	⦿	⦿	⦿	⦿	⦿	⦿	⦿	⦿	⦿	⦿	⦿	⦿	⦿	⦿	⦿
xxxx 1000	9	⦿	⦿	⦿	⦿	⦿	⦿	⦿	⦿	⦿	⦿	⦿	⦿	⦿	⦿	⦿
xxxx 1001	10	⦿	⦿	⦿	⦿	⦿	⦿	⦿	⦿	⦿	⦿	⦿	⦿	⦿	⦿	⦿
xxxx 1010	11	⦿	⦿	⦿	⦿	⦿	⦿	⦿	⦿	⦿	⦿	⦿	⦿	⦿	⦿	⦿
xxxx 1011	12	⦿	⦿	⦿	⦿	⦿	⦿	⦿	⦿	⦿	⦿	⦿	⦿	⦿	⦿	⦿
xxxx 1100	13	⦿	⦿	⦿	⦿	⦿	⦿	⦿	⦿	⦿	⦿	⦿	⦿	⦿	⦿	⦿
xxxx 1101	14	⦿	⦿	⦿	⦿	⦿	⦿	⦿	⦿	⦿	⦿	⦿	⦿	⦿	⦿	⦿
xxxx 1110	15	⦿	⦿	⦿	⦿	⦿	⦿	⦿	⦿	⦿	⦿	⦿	⦿	⦿	⦿	⦿
xxxx 1111	16	⦿	⦿	⦿	⦿	⦿	⦿	⦿	⦿	⦿	⦿	⦿	⦿	⦿	⦿	⦿

MGL597

Fig.8 Character set 'V' in CGROM.

LCD controllers/drivers

PCF2119x

character codes (DDRAM data)								CGRAM address								character patterns (CGRAM data)					character code (CGRAM data)																																									
7	6	5	4	3	2	1	0	6	5	4	3	2	1	0	4 3 2 1 0							4	3	2	1	0																																				
higher order bits ←				lower order bits →				higher order bits ←				lower order bits →				higher order bits ←	lower order bits →																																													
0	0	0	0	0	0	0	0	0	0	0	0	0	0	0		0	character pattern example 1	1	1	1	1	0	1	0	0	0	1	1	0	0	0	1	1	0	0	0	1	1	1	1	1	0	1	0	1	0	0	1	0	0	1	0	1	0	0	0	1	0	0	0	0	0
0	0	0	0	0	0	0	1	0	0	0	1	0	0	0		0	character pattern example 2	1	0	0	0	1	0	1	0	1	0	1	1	1	1	1	0	0	1	0	0	0	0	1	0	0	0	0	1	0	0	0	0	1	0	0	0	0	0	0	0					
0	0	0	0	0	0	1	0	0	0	1	0	0	0	0											<i>MGE995</i>																																					
0	0	0	0	1	1	1	1	1	1	1	1	1	0	0																																																
0	0	0	0	1	1	1	1	1	1	1	1	1	0	1																																																
0	0	0	0	1	1	1	1	1	1	1	1	1	1	0																																																
0	0	0	0	1	1	1	1	1	1	1	1	1	1	1																																																

Character code bits 0 to 3 correspond to CGRAM address bits 3 to 6.

CGRAM address bits 0 to 2 designate the character pattern line position. The 8th line is the cursor position and display is performed by logical OR with the cursor. Data in the 8th position will appear in the cursor position.

Character pattern column positions correspond to CGRAM data bits 0 to 4, as shown in Fig.6.

As shown in Figs 6 and 7, CGRAM character patterns are selected when character code bits 4 to 7 are all logic 0. CGRAM data = logic 1 corresponds to selection for display.

Only bits 0 to 5 of the CGRAM address are set by the 'set CGRAM address' command. Bit 6 can be set using the 'set DDRAM address' command in the valid address range or by using the auto-increment feature during CGRAM write. All bits 0 to 6 can be read using the 'read busy flag and address counter' command.

Fig.9 Relationship between CGRAM addresses, data and display patterns.

LCD controllers/drivers

PCF2119x

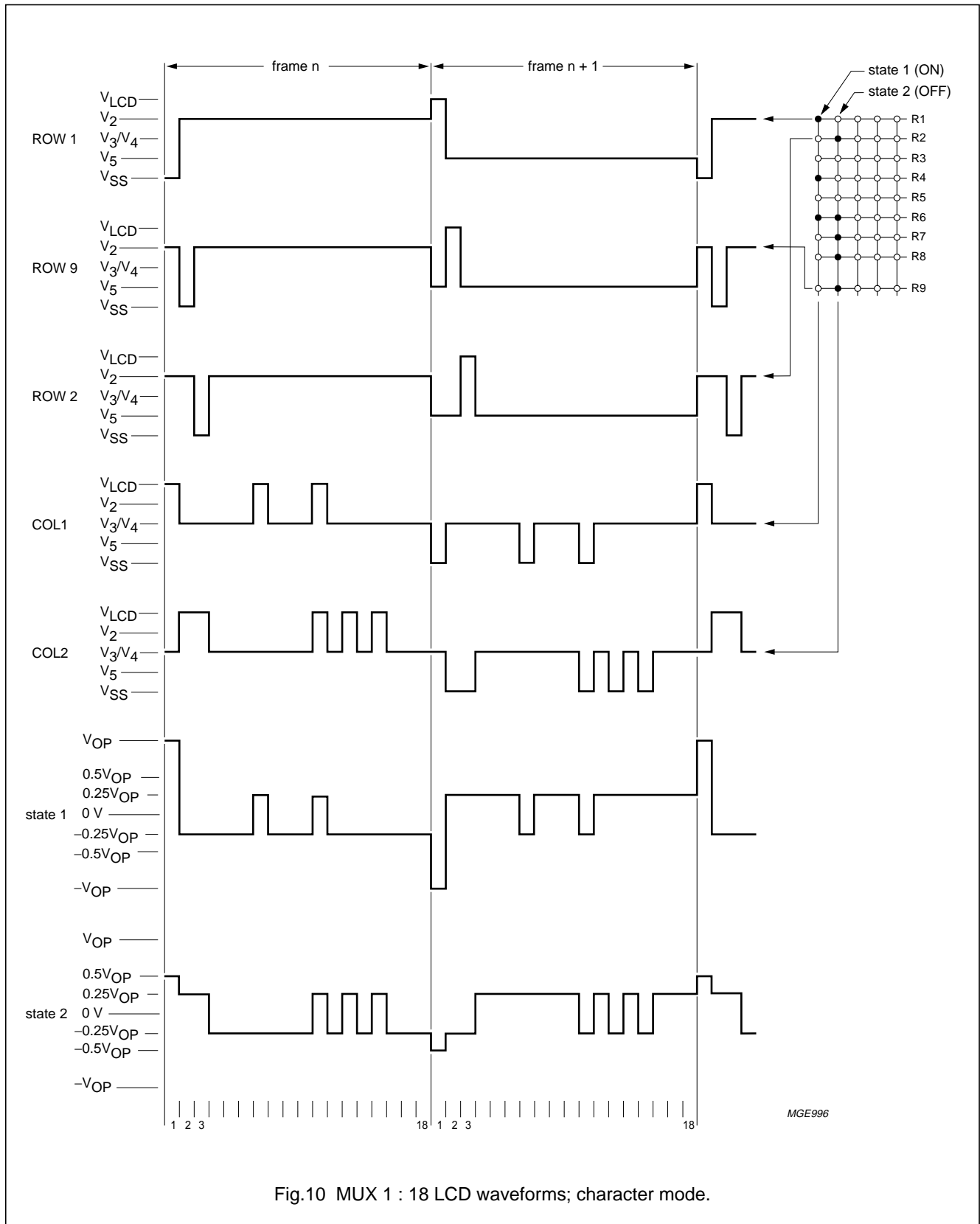


Fig.10 MUX 1 : 18 LCD waveforms; character mode.

LCD controllers/drivers

PCF2119x

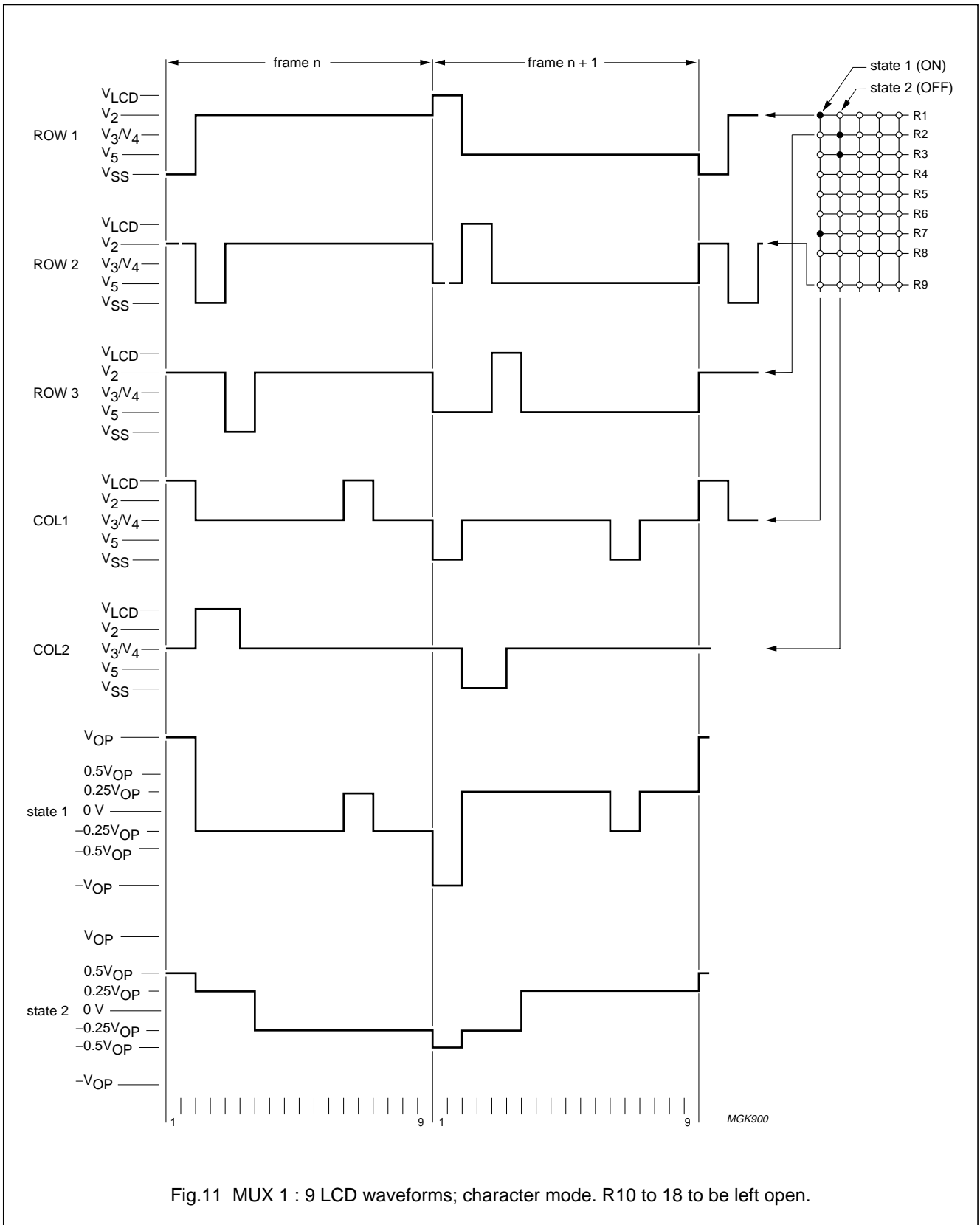


Fig.11 MUX 1 : 9 LCD waveforms; character mode. R10 to 18 to be left open.

LCD controllers/drivers

PCF2119x

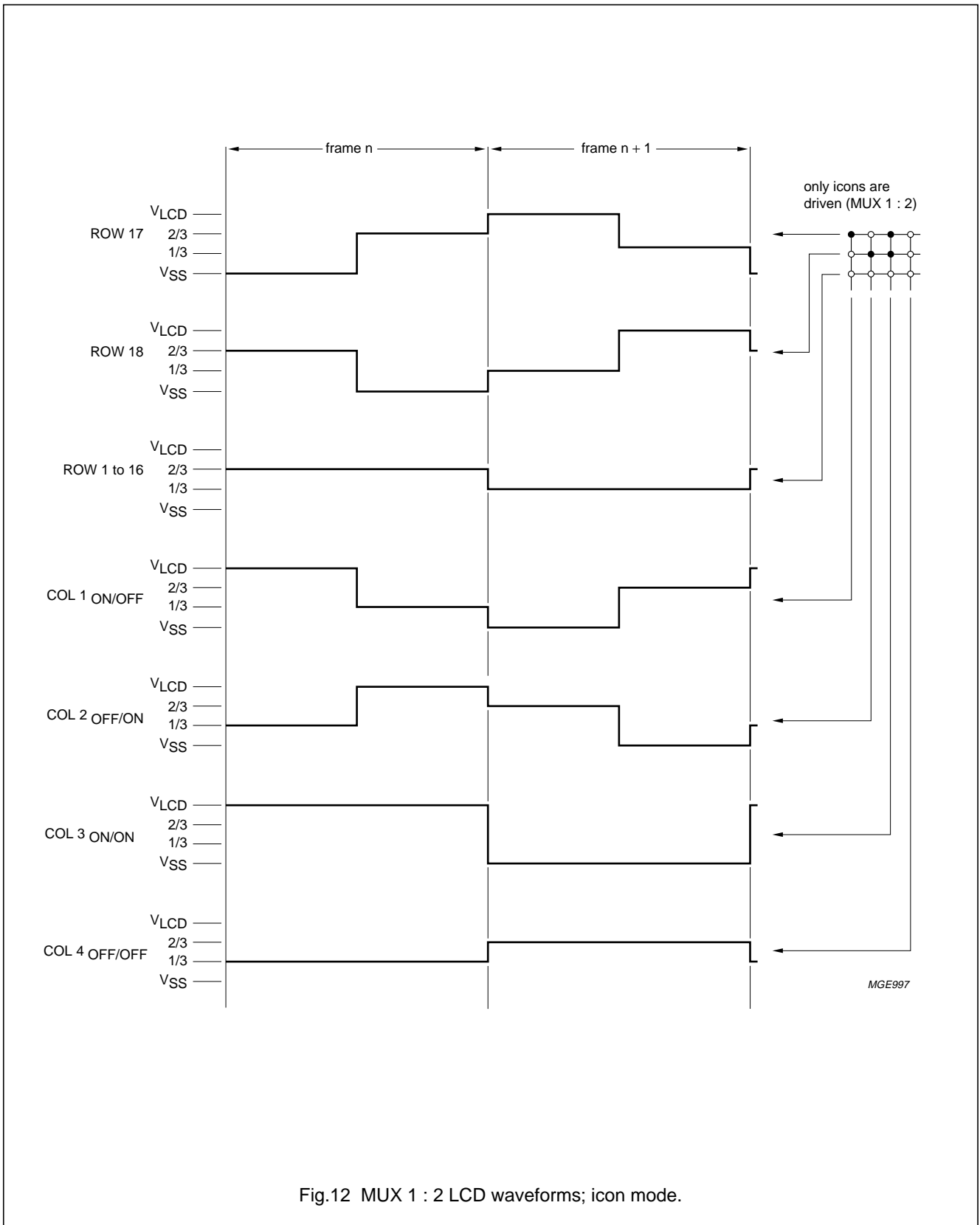
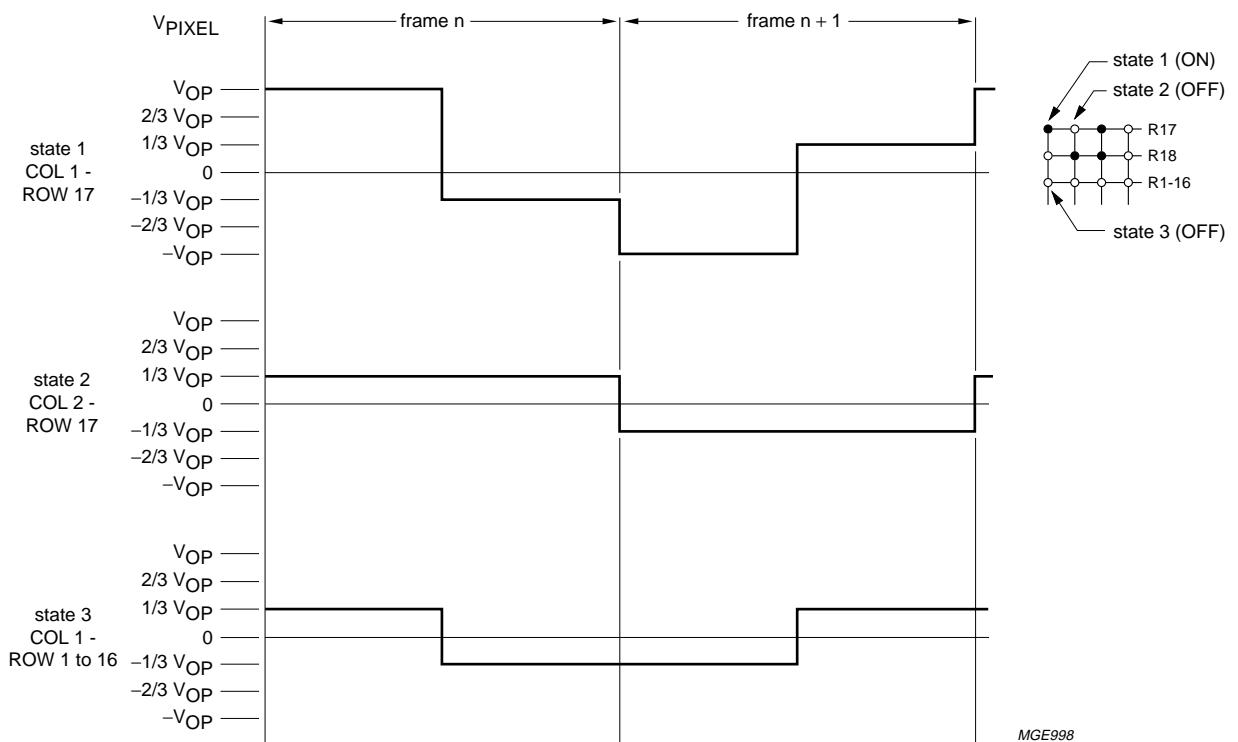


Fig.12 MUX 1 : 2 LCD waveforms; icon mode.

LCD controllers/drivers

PCF2119x



MGE998

$$V_{ON(rms)} = 0.745V_{OP}$$

$$V_{OFF(rms)} = 0.333V_{OP}$$

$$D = \frac{V_{ON}}{V_{OFF}} = 2.23$$

Fig.13 MUX 1 : 2 LCD waveforms; icon mode.

LCD controllers/drivers

PCF2119x

7.17 Reset function

The PCF2119x must be reset externally when power is turned on. The reset executes a 'clear display', requiring 165 oscillator cycles. After the reset the chip has the state shown in Table 4.

Table 4 State after reset

STEP	FUNCTION	CONTROL BIT STATE	CONDITION
1	clear display		
2	entry mode set	I/D = 1	+1 (increment)
		S = 0	no shift
3	display control	D = 0	display off
		C = 0	cursor off
		B = 0	cursor character blink off
4	function set	DL = 1	8-bit interface
		M = 0	1-line display
		H = 0	normal instruction set
		SL = 0	MUX 1 : 18 mode
5	default address pointer to DDRAM; the Busy Flag (BF) indicates the busy state (BF = 1) until initialization ends; the busy state lasts 2 ms; the chip may also be initialized by software; see Tables 17 and 18		
6	icon control	IM, IB = 00	icons/icon blink disabled
7	display/screen configuration	L = 0; P = 0; Q = 0	default configurations
8	V _{LCD} temperature coefficient	TC1 = 0; TC2 = 0	default temperature coefficient
9	set V _{LCD}	V _A = 0; V _B = 0 (V _{LCD} generator off)	
10	I ² C-bus interface reset		

LCD controllers/drivers

PCF2119x

8 INSTRUCTIONS

Only two PCF2119x registers, the Instruction Register (IR) and the Data Register (DR) can be directly controlled by the MPU. Before internal operation, control information is stored temporarily in these registers, to allow interfacing to various types of MPUs which operate at different speeds or to allow interface to peripheral control ICs.

The PCF2119x operation is controlled by the instructions shown in Table 6 together with their execution time.

Details are explained in subsequent sections.

Instructions are of 4 types, those that:

1. Designate PCF2119x functions such as display format, data length, etc.
2. Set internal RAM addresses
3. Perform data transfer with internal RAM
4. Others.

In normal use, category 3 instructions are used most frequently. However, automatic incrementing by 1 (or decrementing by 1) of internal RAM addresses after each data write lessens the MPU program load. The display shift in particular can be performed concurrently with display data write, enabling the designer to develop systems in minimum time with maximum programming efficiency.

During internal operation, no instructions other than the 'read busy flag' and 'read address' instructions will be executed. Because the busy flag is set to a logic 1 while an instruction is being executed, check to ensure it is a logic 0 before sending the next instruction or wait for the maximum instruction execution time, as given in Table 6. An instruction sent while the busy flag is logic 1 will not be executed.

Table 5 Instruction set for I²C-bus commands

CONTROL BYTE							COMMAND BYTE							I ² C-BUS COMMANDS	
Co	RS	0	0	0	0	0	DB7	DB6	DB5	DB4	DB3	DB2	DB1	DB0	note 1

Note

1. $\overline{R/\overline{W}}$ is set together with the slave address.

LCD controllers/drivers

PCF2119X

Table 6 Instruction set with parallel bus commands; note 1

INSTRUCTION	RS	R/W	DB7	DB6	DB5	DB4	DB3	DB2	DB1	DB0	DESCRIPTION	REQUIRED CLOCK CYCLES	
H = 0 or 1													
NOP	0	0	0	0	0	0	0	0	0	0	no operation	3	
Function set	0	0	0	0	1	DL	0	M	SL	H	sets interface Data Length (DL) and number of display lines (M); single line/MUX 1 : 9 (SL), extended instruction set control (H)	3	
Read busy flag and address counter	0	1	BF	A _C							reads the Busy Flag (BF) indicating internal operating is being performed and reads address counter contents	0	
Read data	1	1	read data							reads data from CGRAM or DDRAM	3		
Write data	1	0	write data							writes data from CGRAM or DDRAM	3		
H = 0													
Clear display	0	0	0	0	0	0	0	0	0	1	clears entire display and sets DDRAM address 0 in address counter	165	
Return home	0	0	0	0	0	0	0	0	1	0	sets DDRAM address 0 in address counter; also returns shifted display to original position; DDRAM contents remain unchanged	3	
Entry mode set	0	0	0	0	0	0	0	1	I/D	S	sets cursor move direction and specifies shift of display; these operations are performed during data write and read	3	
Display control	0	0	0	0	0	0	1	D	C	B	sets entire display on/off (D), cursor on/off (C) and blink of cursor position character (B); D = 0 (display off) puts chip into the power-down mode	3	
Cursor/display shift	0	0	0	0	0	1	S/C	R/L	0	0	moves cursor and shifts display without changing DDRAM contents	3	
Set CGRAM address	0	0	0	1	A _{CG}							sets CGRAM address; bit 6 is to be set by the command 'set DDRAM address'; look at the description of the commands	3
Set DDRAM address	0	0	1	A _{DD}							sets DDRAM address	3	

LCD controllers/drivers

PCF2119X

INSTRUCTION	RS	R/W	DB7	DB6	DB5	DB4	DB3	DB2	DB1	DB0	DESCRIPTION	REQUIRED CLOCK CYCLES
H = 1												
Reserved	0	0	0	0	0	0	0	0	0	1	do not use	–
Screen configuration	0	0	0	0	0	0	0	0	1	L	set screen configuration	3
Display configuration	0	0	0	0	0	0	0	1	P	Q	set display configuration	3
Icon control	0	0	0	0	0	0	1	IM	IB	0	set icon mode (IM), icon blink (IB)	3
Temperature control	0	0	0	0	0	1	0	0	TC1	TC2	set temperature coefficient (TCx)	3
Reserved	0	0	0	1	X	X	X	X	X	X	do not use	–
Set V _{LCD}	0	0	1	V	voltage					store V _{LCD} in register V _A or V _B (V)		3

Note

1. X = don't care.

LCD controllers/drivers

PCF2119x

Table 7 Explanations of symbols used in Table 6

BIT	STATE	
	LOGIC 0	LOGIC 1
I/D	decrement	increment
S	display freeze	display shift
D	display off	display on
C	cursor off	cursor on
B	cursor character blink off: character at cursor position does not blink	cursor character blink on: character at cursor position blinks
S/C	cursor move	display shift
R/L	left shift	right shift
DL	4 bits	8 bits
H	use basic instruction set	use extended instruction set
L (no impact, if M = 1 or SL = 1)	left/right screen: standard connection (as in PCF2114)	left/right screen: mirrored connection (as in PCF2116)
	1st 16 characters of 32: columns are from 1 to 80	1st 16 characters of 32: columns are from 1 to 80
	2nd 16 characters of 32: columns are from 1 to 80	2nd 16 characters of 32: columns are from 80 to 1
P	column data: left to right (as in PCF2116); column data is displayed from 1 to 80	column data: right to left; column data is displayed from 80 to 1
Q	row data: top to bottom (as in PCF2116); row data is displayed from 1 to 16 and icon row data is in 17 and 18	row data: bottom to top; row data is displayed from 16 to 1 and icon row data is in 18 and 17
IM	character mode; full display	icon mode; only icons displayed
IB	icon blink disabled	icon blink enabled
V	set V_A	set V_B
M (no impact, if SL = 1)	1-line by 32 display	2-line by 16 display
SL	MUX 1 : 18 (1 × 32 or 2 × 16 character display)	MUX 1 : 9 (1 × 16 character display)
C ₀	last control byte; see Table 5	another control byte follows after data/command

Table 8 Explanation of TC1 and TC2 used in Table 6

TC1	TC2	DESCRIPTION
0	0	V_{LCD} temperature coefficient 0
1	0	V_{LCD} temperature coefficient 1
0	1	V_{LCD} temperature coefficient 2
1	1	V_{LCD} temperature coefficient 3; for ranges for TC see Chapter 13

LCD controllers/drivers

PCF2119x

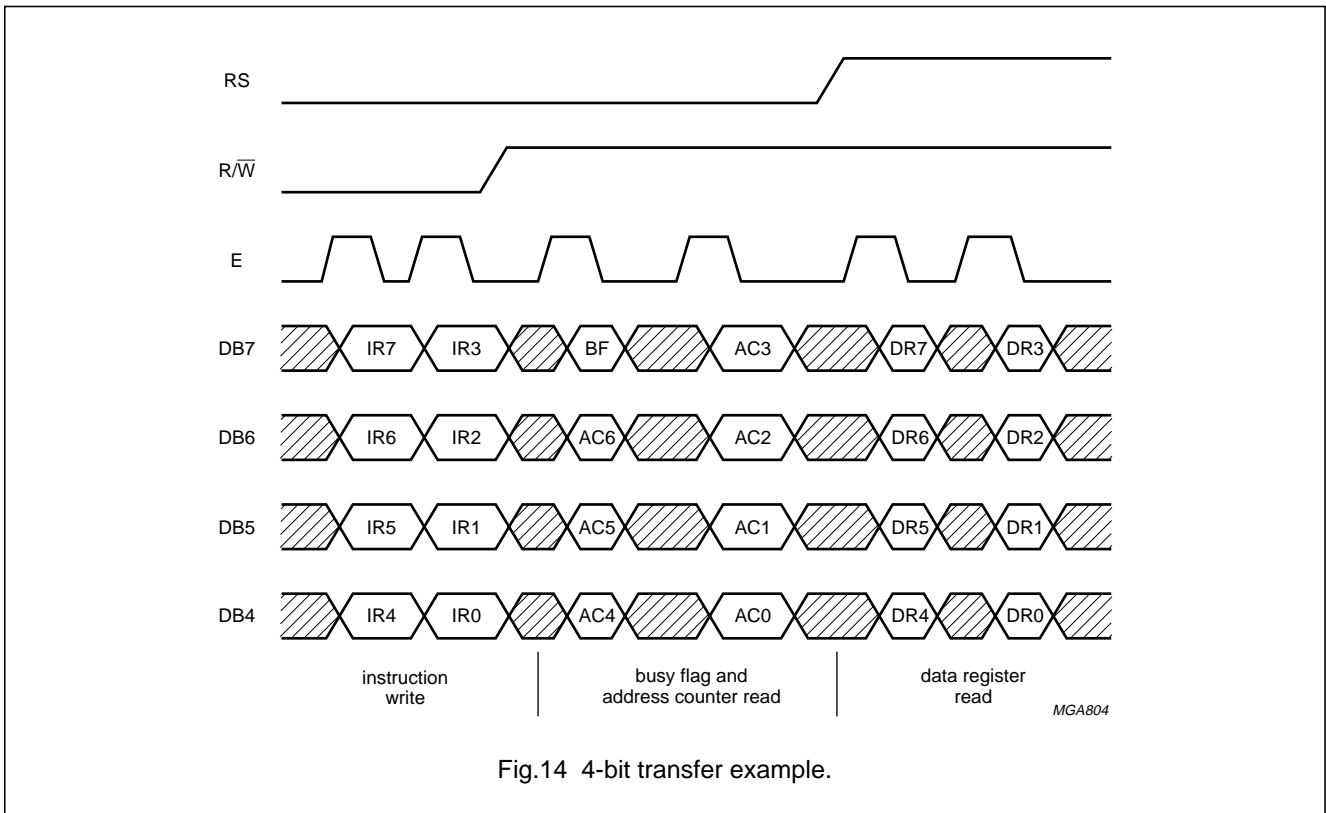
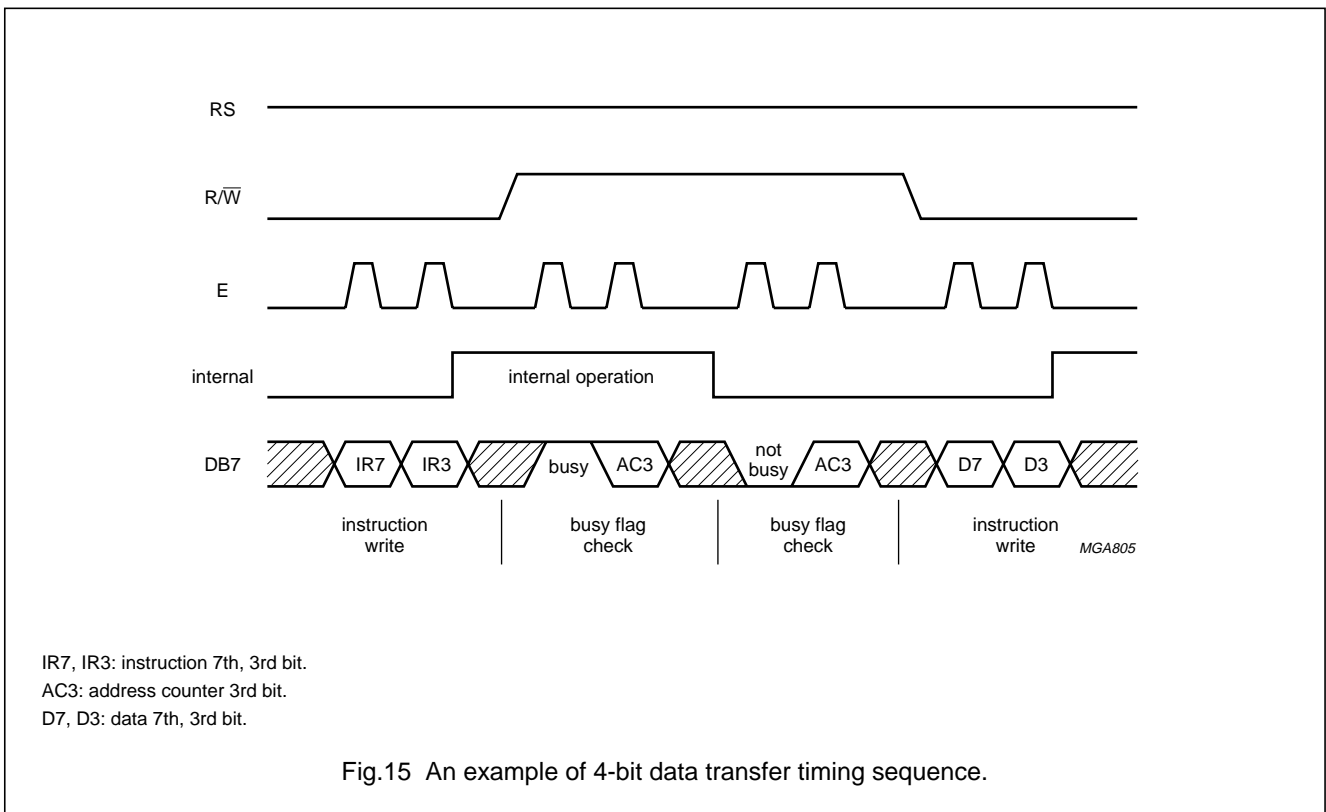


Fig.14 4-bit transfer example.



IR7, IR3: instruction 7th, 3rd bit.
 AC3: address counter 3rd bit.
 D7, D3: data 7th, 3rd bit.

Fig.15 An example of 4-bit data transfer timing sequence.

LCD controllers/drivers

PCF2119x

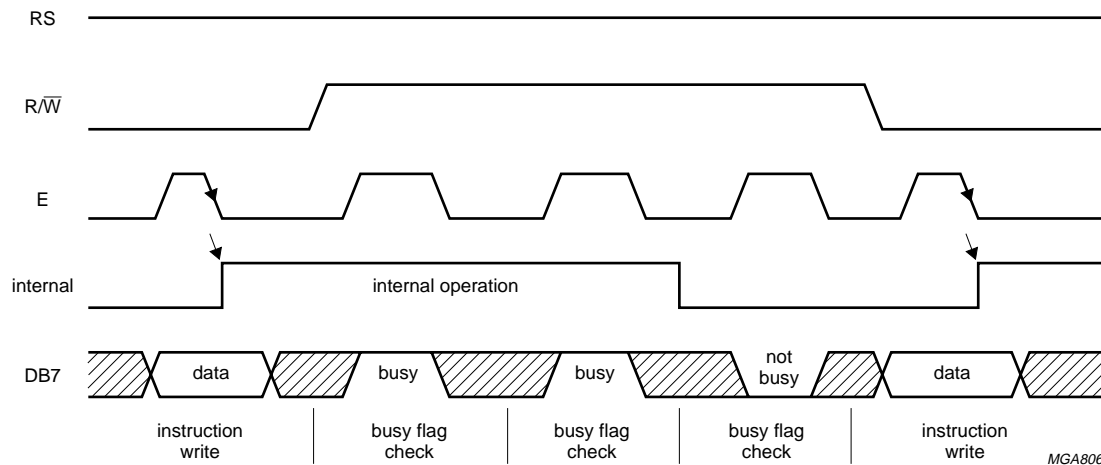


Fig.16 Example of busy flag checking timing sequence.

8.1 Clear display

'Clear display' writes character code 20H into all DDRAM addresses (the character pattern for character code 20H must be a blank pattern), sets the DDRAM address counter to logic 0 and returns the display to its original position, if it was shifted. Thus, the display disappears and the cursor or blink position goes to the left edge of the display. Sets entry mode I/D = 1 (increment mode). S of entry mode does not change.

The instruction 'clear display' requires extra execution time. This may be allowed by checking the Busy Flag (BF) or by waiting until the 165 clock cycles have elapsed. The latter must be applied where no read-back options are foreseen, as in some Chip-On-Glass (COG) applications.

8.2 Return home

'Return home' sets the DDRAM address counter to logic 0 and returns the display to its original position if it was shifted. DDRAM contents do not change. The cursor or blink position goes to the left of the first display line. I/D and S of entry mode do not change.

8.3 Entry mode set

8.3.1 I/D

When I/D = 1 (0) the DDRAM or CGRAM address increments (decrements) by 1 when data is written into or read from the DDRAM or CGRAM. The cursor or blink position moves to the right when incremented and to the left when decremented. The cursor underline and cursor character blink are inhibited when the CGRAM is accessed.

8.3.2 S

When S = 1, the entire display shifts either to the right (I/D = 0) or to the left (I/D = 1) during a DDRAM write. Thus it appears as if the cursor stands still and the display moves. The display does not shift when reading from the DDRAM, or when writing to or reading from the CGRAM. When S = 0, the display does not shift.

LCD controllers/drivers

PCF2119x

8.4 Display control (and partial power-down mode)**8.4.1 D**

The display is on when $D = 1$ and off when $D = 0$. Display data in the DDRAM is not affected and can be displayed immediately by setting D to a logic 1.

When the display is off ($D = 0$) the chip is in partial power-down mode:

- The LCD outputs are connected to V_{SS}
- The LCD generator and bias generator are turned off.

Three oscillator cycles are required after sending the 'display off' instruction to ensure all outputs are at V_{SS} , afterwards OSC can be stopped. If the oscillator is running during partial power-down mode ('display off') the chip can still execute instructions. Even lower current consumption is obtained by inhibiting the oscillator ($OSC = V_{SS}$).

To ensure $I_{DD} < 1 \mu A$, the parallel bus pads DB7 to DB0 should be connected to V_{DD} ; RS and R/\bar{W} to V_{DD} or left open-circuit and PD to V_{DD} . Recovery from power-down mode: PD back to logic 0, if necessary OSC back to V_{DD} and send a 'display control' instruction with $D = 1$.

8.4.2 C

The cursor is displayed when $C = 1$ and inhibited when $C = 0$. Even if the cursor disappears, the display functions I/D, etc. remain in operation during display data write.

The cursor is displayed using 5 dots in the 8th line (see Fig.5).

8.4.3 B

The character indicated by the cursor blinks when $B = 1$. The cursor character blink is displayed by switching between display characters and all dots on with a period of

approximately 1 second, with $f_{\text{blink}} = \frac{f_{\text{OSC}}}{52224}$

The cursor underline and the cursor character blink can be set to display simultaneously.

8.5 Cursor or display shift

'Cursor/display shift' moves the cursor position or the display to the right or left without writing or reading display data. This function is used to correct a character or move the cursor through the display. In 2-line displays, the cursor moves to the next line when it passes the last position (40) of the line. When the displayed data is shifted repeatedly all lines shift at the same time; displayed characters do not shift into the next line.

The Address Counter (AC) content does not change if the only action performed is shift display, but increments or decrements with the 'cursor shift'.

8.6 Function set**8.6.1 DL (PARALLEL MODE ONLY)**

Sets interface data width. Data is sent or received in bytes (DB7 to DB0) when $DL = 1$ or in two nibbles (DB7 to DB4) when $DL = 0$. When 4-bit width is selected, data is transmitted in two cycles using the parallel bus. In a 4-bit application DB3 to DB0 should be left open-circuit (internal pull-ups). Hence in the first 'function set' instruction after power-on, N and H are set to logic 1. A second 'function set' must then be sent (2 nibbles) to set N and H to their required values.

'Function set' from the I²C-bus interface sets the DL bit to logic 1.

8.6.2 M

Selects either 1-line by 32 display ($M = 0$) or 2-line by 16 display ($M = 1$).

8.6.3 SL

Selects MUX 1 : 9, 1-line by 16 display (independent of M and L). Only rows 1 to 8 and 17 are to be used. All other rows must be left open-circuit. The DDRAM map is the same as in the 2-line by 16 display mode, however, the second line is not displayable.

LCD controllers/drivers

PCF2119x

8.6.4 H

When $H = 0$ the chip can be programmed via the standard 11 instruction codes used in the PCF2116 and other LCD controllers.

When $H = 1$ the extended range of instructions will be used. These are mainly for controlling the display configuration and the icons.

8.7 Set CGRAM address

'Set CGRAM address' sets bits 5 to 0 of the CGRAM address A_{CG} into the address counter (binary A5 to A0). Data can then be written to or read from the CGRAM.

Attention: the CGRAM address uses the same address register as the DDRAM address and consists of 7 bits (binary A6 to A0). With the 'set CGRAM address' command, only bits 5 to 0 are set. Bit 6 can be set using the 'set DDRAM address' command first, or by using the auto-increment feature during CGRAM write. All bits 6 to 0 can be read using the 'read busy flag' and 'read address' command.

When writing to the lower part of the CGRAM, ensure that bit 6 of the address is not set (e.g. by an earlier DDRAM write or read action).

8.8 Set DDRAM address

'Set DDRAM address' sets the DDRAM address A_{DD} into the address counter (binary A6 to A0). Data can then be written to or read from the DDRAM.

8.9 Read busy flag and read address

'Read busy flag' and 'read address' read the Busy Flag (BF) and Address Counter (AC). $BF = 1$ indicates that an internal operation is in progress. The next instruction will not be executed until $BF = 0$. It is recommended that the BF status is checked before the next write operation is executed.

At the same time, the value of the address counter expressed in binary A6 to A0 is read out. The address counter is used by both CGRAM and DDRAM, and its value is determined by the previous instruction.

8.10 Write data to CGRAM or DDRAM

'Write data' writes binary 8-bit data D7 to D0 to the CGRAM or the DDRAM.

Whether the CGRAM or DDRAM is to be written into is determined by the previous 'set CGRAM address' or 'set DDRAM address' command. After writing, the address automatically increments or decrements by 1, in accordance with the entry mode. Only bits D4 to D0 of CGRAM data are valid, bits D7 to D5 are 'don't care'.

8.11 Read data from CGRAM or DDRAM

'Read data' reads binary 8-bit data D7 to D0 from the CGRAM or DDRAM.

The most recent 'set address' command determines whether the CGRAM or DDRAM is to be read.

The 'read data' instruction gates the content of the Data Register (DR) to the bus while E is HIGH. After E goes LOW again, internal operation increments (or decrements) the AC and stores RAM data corresponding to the new AC into the DR.

There are only three instructions that update the data register:

- 'set CGRAM address'
- 'set DDRAM address'
- 'read data' from CGRAM or DDRAM.

Other instructions (e.g. 'write data', 'cursor/display shift', 'clear display' and 'return home') do not modify the data register content.

LCD controllers/drivers

PCF2119x

9 EXTENDED FUNCTION SET INSTRUCTIONS AND FEATURES**9.1 New instructions**

H = 1, sets the chip into alternate instruction set mode.

9.2 Icon control

The PCF2119x can drive up to 160 icons. See Fig.17 for CGRAM to icon mapping.

9.3 IM

When IM = 0, the chip is in character mode. In the character mode characters and icons are driven (MUX 1 : 18). The V_{LCD} generator, if used, produces the V_{LCD} voltage programmed in register V_A .

When IM = 1, the chip is in icon mode. In the icon mode only the icons are driven (MUX 1 : 2) and the V_{LCD} voltage generator, if used, produces the V_{LCD} voltage as programmed in register V_B .

9.4 IB

Icon blink control is independent of the cursor/character blink function.

When IB = 0, icon blink is disabled. Icon data is stored in CGRAM character 0 to 3 ($4 \times 8 \times 5 = 160$ bits for 160 icons).

When IB = 1, icon blink is enabled. In this case each icon is controlled by two bits. Blink consists of two half phases (corresponding to the cursor on and off phases called even and odd phases hereafter).

Icon states for the even phase are stored in CGRAM characters 0 to 3 ($4 \times 8 \times 5 = 160$ bits for 160 icons). These bits also define icon state when icon blink is not used.

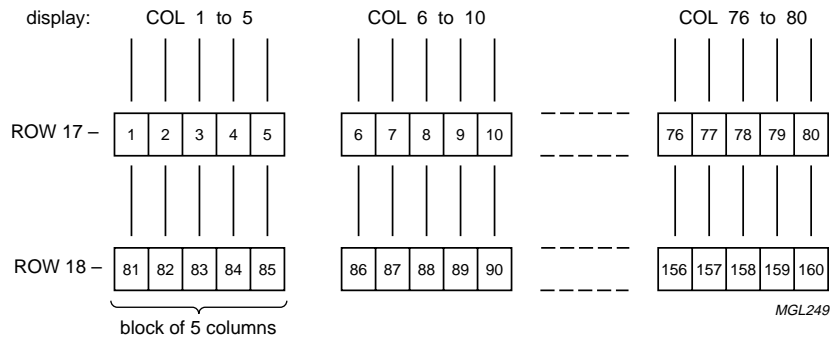
Icon states for the odd phase are stored in CGRAM character 4 to 7 (another 160 bits for the 160 icons). When icon blink is disabled CGRAM characters 4 to 6 may be used as normal CGRAM characters.

Table 9 Blink effect for icons and cursor character blink

PARAMETER	EVEN PHASE	ODD PHASE
Cursor underline	on	off
Cursor character blink	block (all on)	normal (display character)
Icons	state 1: CGRAM character 0 to 2	state 2: CGRAM character 4 to 6

LCD controllers/drivers

PCF2119x



icon no.	phase	ROW/COL	character codes								CGRAM address								CGRAM data				icon view	
			7	6	5	4	3	2	1	0	6	5	4	3	2	1	0	4	3	2	1	0		
			MSB				LSB				MSB				LSB				MSB		LSB			
1-5	even	17/1-5	0	0	0	0	0	0	0	0	0	0	0	0	0	0	0	0	1	0	1	0	1	
6-10	even	17/6-10	0	0	0	0	0	0	0	0	0	0	0	0	0	0	0	1	0	1	0	1	0	
11-15	even	17/11-15	0	0	0	0	0	0	0	0	0	0	0	0	0	1	0	0	1	1	1	0	0	
76-80	even	17/76-80	0	0	0	0	0	0	0	0	0	1	0	0	0	1	1	1	1	1	1	1	1	
81-85	even	18/1-5	0	0	0	0	0	0	0	1	0	0	0	0	0	0	0	0	1	1	0	0	0	
156-160	even	18/76-80	0	0	0	0	0	0	0	1	1	0	0	1	1	1	1	1	1	1	0	1	0	
1-5	odd (blink)	17/1-5	0	0	0	0	0	0	1	0	0	0	0	0	0	0	0	0	0	0	0	0	0	
156-160	odd (blink)	18/76-80	0	0	0	0	0	0	1	1	1	1	0	1	1	1	1	1	1	0	1	1	0	

MGK999

CGRAM data bit = logic 1 turns the icon on, data bit = logic 0 turns the icon off.
 Data in character codes 0 to 2 define the icon state when icon blink is disabled or during the even phase when icon blink is enabled.
 Data in character codes 4 to 6 define the icon state during the odd phase when icon blink is enabled (not used for icons when icon blink is disabled).

Fig.17 CGRAM to icon mapping.

LCD controllers/drivers

PCF2119x

9.5 Normal/icon mode operation

IM	CONDITION	V _{LCD}
0	character mode	generates V _A
1	icon mode	generates V _B

9.6 Screen configuration

L: default is L = 0.

L = 0: the two halves of a split screen are connected in a standard way i.e. column 1/81, 2/82 to 80/160.

L = 1: the two halves of a split screen are connected in a mirrored way i.e. column 1/160, 2/159 to 80/81. This allows single layer PCB or glass layout.

9.7 Display configuration

P, Q: default is P, Q = 0.

P = 1: mirrors the column data.

Q = 1: mirrors the row data.

9.8 TC1 and TC2

Default is TC1 and TC2 = 0. This selects the default temperature coefficient for the internally generated V_{LCD}. TC1 and TC2 = 10, 01 and 11 selects alternative temperature coefficients 1, 2 and 3 respectively.

9.9 Set V_{LCD}

The V_{LCD} value is programmed by instruction. Two on-chip registers hold V_{LCD} values for the character mode and the icon mode respectively (V_A and V_B). The generated V_{LCD} value is independent of V_{DD}, allowing battery operation of the chip.

V_{LCD} programming:

1. Send 'function set' instruction with H = 1
2. Send 'set V_{LCD}' instruction to write to voltage register:
 - a) DB7, DB6 = 10: DB5 to DB0 are V_{LCD} of character mode (V_A)
 - b) DB7, DB6 = 11: DB5 to DB0 are V_{LCD} of icon mode (V_B)
 - c) DB5 to DB0 = 000000 switches V_{LCD} generator off (when selected)
 - d) During 'display off' and power-down the V_{LCD} generator is also disabled.
3. Send 'function set' instruction with H = 0 to resume normal programming.

9.10 Reducing current consumption

Reducing current consumption can be achieved by one of the options given in Table 10.

When V_{LCD} lies outside the V_{DD} range and must be generated, it is usually more efficient to use the on-chip generator than an external regulator.

Table 10 Reducing current consumption

ORIGINAL MODE	ALTERNATIVE MODE
Character mode	icon mode (control bit IM)
Display on	display off (control bit D)
Any mode	power-down (PD pad)

Table 11 Use of the V_A and V_B registers

MODE	V _A	V _B
Normal operation	V _{LCD} character mode	V _{LCD} icon mode

LCD controllers/drivers

PCF2119x

10 INTERFACES TO MPU

10.1 Parallel interface

The PCF2119x can send data in either two 4-bit operations or one 8-bit operation and can thus interface to 4-bit or 8-bit microcontrollers.

In 8-bit mode data is transferred as 8-bit bytes using the 8 data lines DB7 to DB0. Three further control lines E, RS and R/W are required; see Section 6.1.

In 4-bit mode data is transferred in two cycles of 4 bits each using pads DB7 to DB4 for the transaction. The higher order bits (corresponding to DB7 to DB4 in 8-bit mode) are sent in the first cycle and the lower order bits (DB3 to DB0 in 8-bit mode) in the second. Data transfer is complete after two 4-bit data transfers. It should be noted that two cycles are also required for the busy flag check. 4-bit operation is selected by instruction, see Figs 14 to 16 for examples of bus protocol.

In 4-bit mode, pads DB3 to DB0 must be left open-circuit. They are pulled up to VDD internally.

10.2 I2C-bus interface

The I2C-bus is for bidirectional, two-line communication between different ICs or modules. The two lines are the Serial Data line (SDA) and the Serial Clock Line (SCL). Both lines must be connected to a positive supply via pull-up resistors. Data transfer may be initiated only when the bus is not busy.

Each byte of eight bits is followed by an acknowledge bit. The acknowledge bit is a HIGH level signal put on the bus by the transmitter during which time the master generates an extra acknowledge related clock pulse. A slave receiver which is addressed must generate an acknowledge after the reception of each byte.

Also a master receiver must generate an acknowledge after the reception of each byte that has been clocked out of the slave transmitter.

The device that acknowledges must pull-down the SDA line during the acknowledge clock pulse, so that the SDA line is stable LOW during the HIGH period of the acknowledge related clock pulse (set-up and hold times must be taken into consideration).

A master receiver must signal an end of data to the transmitter by not generating an acknowledge on the last byte that has been clocked out of the slave. In this event the transmitter must leave the data line HIGH to enable the master to generate a STOP condition.

10.2.1 I2C-BUS PROTOCOL

Before any data is transmitted on the I2C-bus, the device which should respond is addressed first. The addressing is always carried out with the first byte transmitted after the START procedure. The I2C-bus configuration for the different PCF2119x read and write cycles is shown in Figs 22 to 24. The slow down feature of the I2C-bus protocol (receiver holds SCL LOW during internal operations) is not used in the PCF2119x.

10.2.2 DEFINITIONS

- Transmitter: the device which sends the data to the bus
- Receiver: the device which receives the data from the bus
- Master: the device which initiates a transfer, generates clock signals and terminates a transfer
- Slave: the device addressed by a master
- Multi-master: more than one master can attempt to control the bus at the same time without corrupting the message
- Arbitration: procedure to ensure that, if more than one master simultaneously tries to control the bus, only one is allowed to do so and the message is not corrupted
- Synchronization: procedure to synchronize the clock signals of two or more devices.

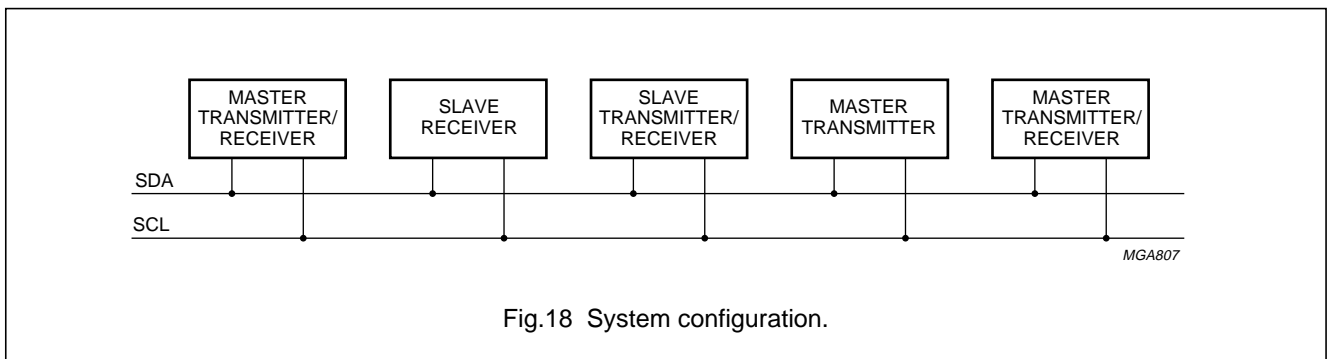


Fig.18 System configuration.

LCD controllers/drivers

PCF2119x

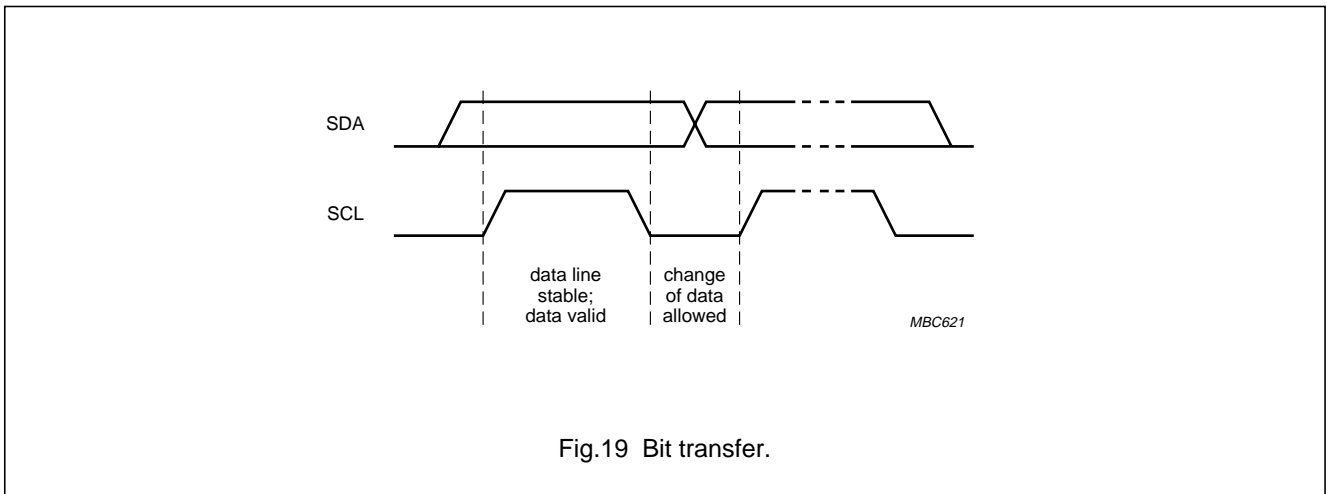


Fig.19 Bit transfer.

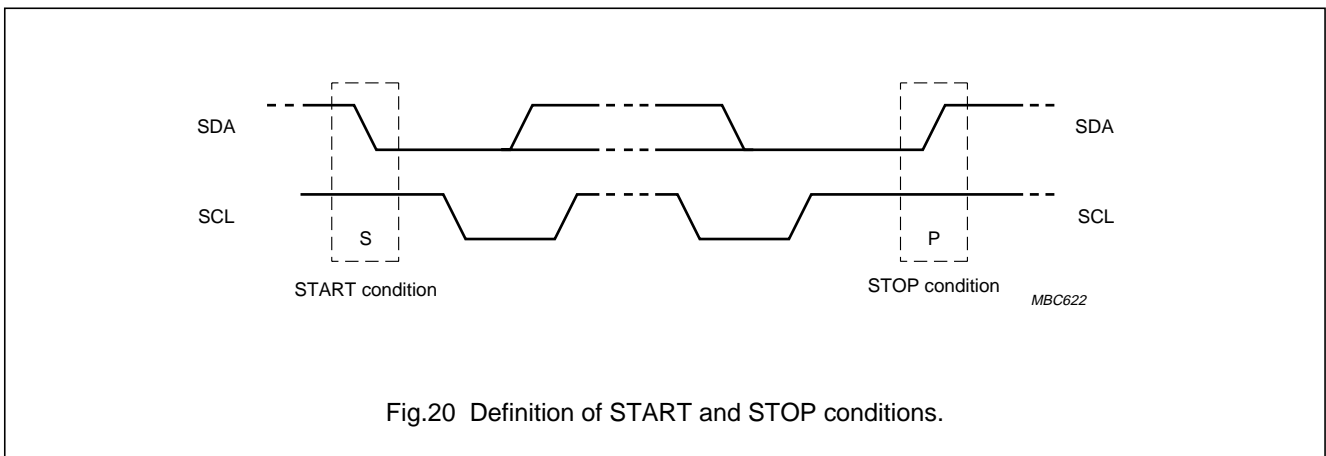


Fig.20 Definition of START and STOP conditions.

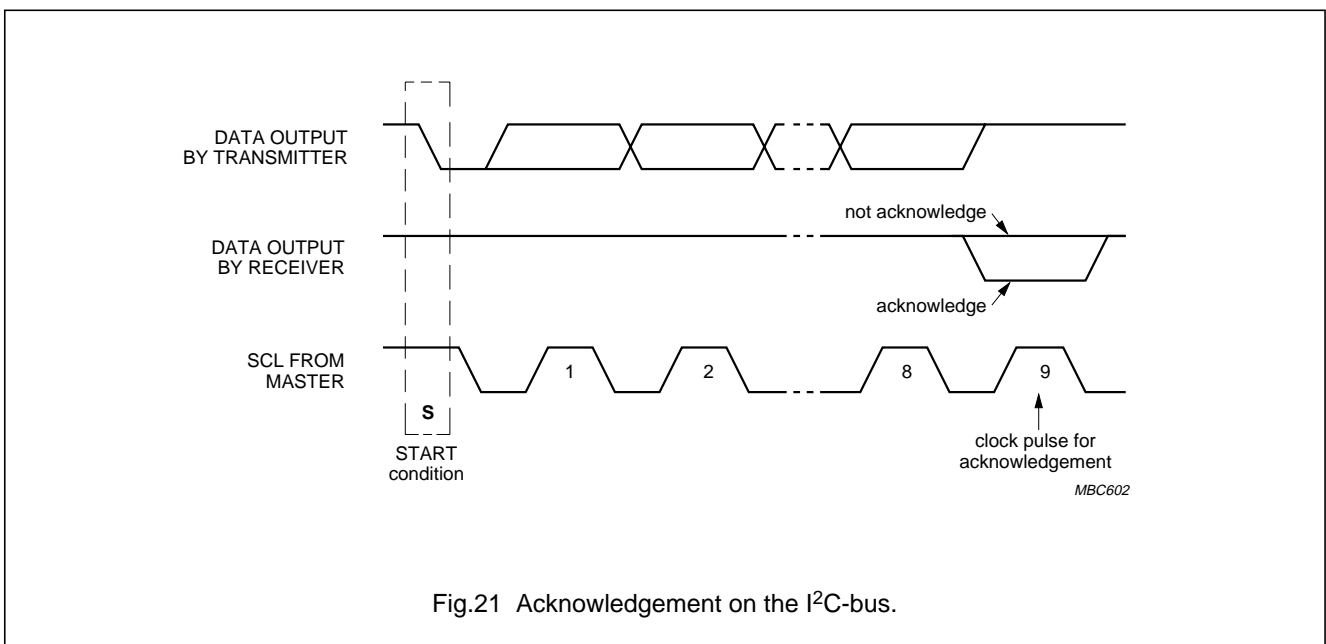


Fig.21 Acknowledgement on the I²C-bus.

LCD controllers/drivers

PCF2119X

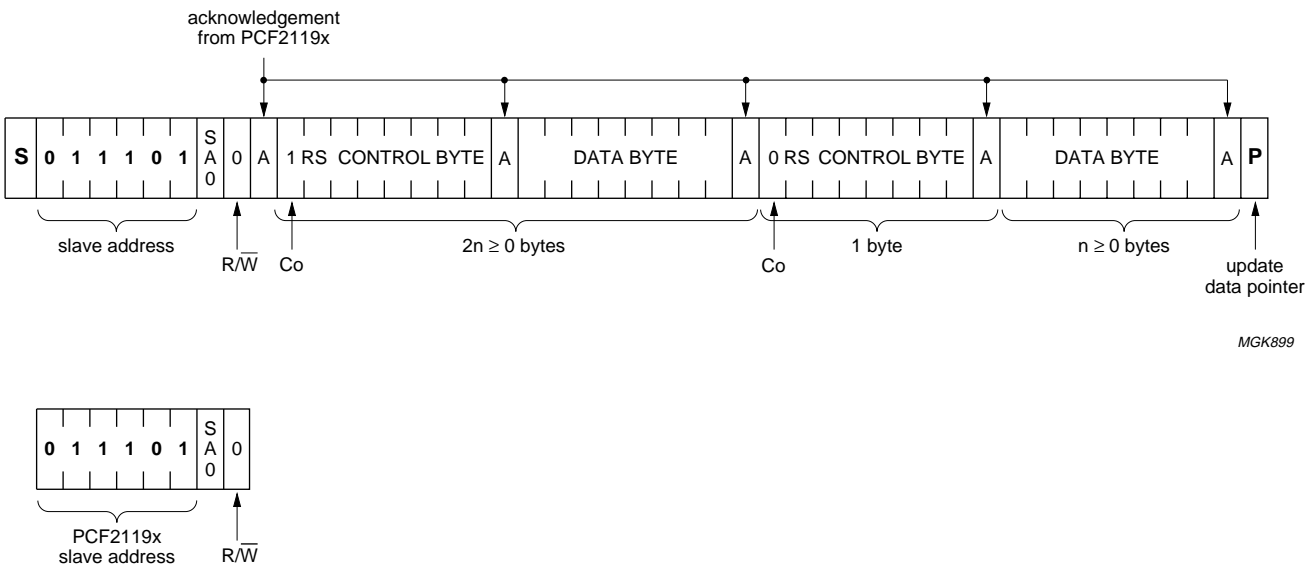
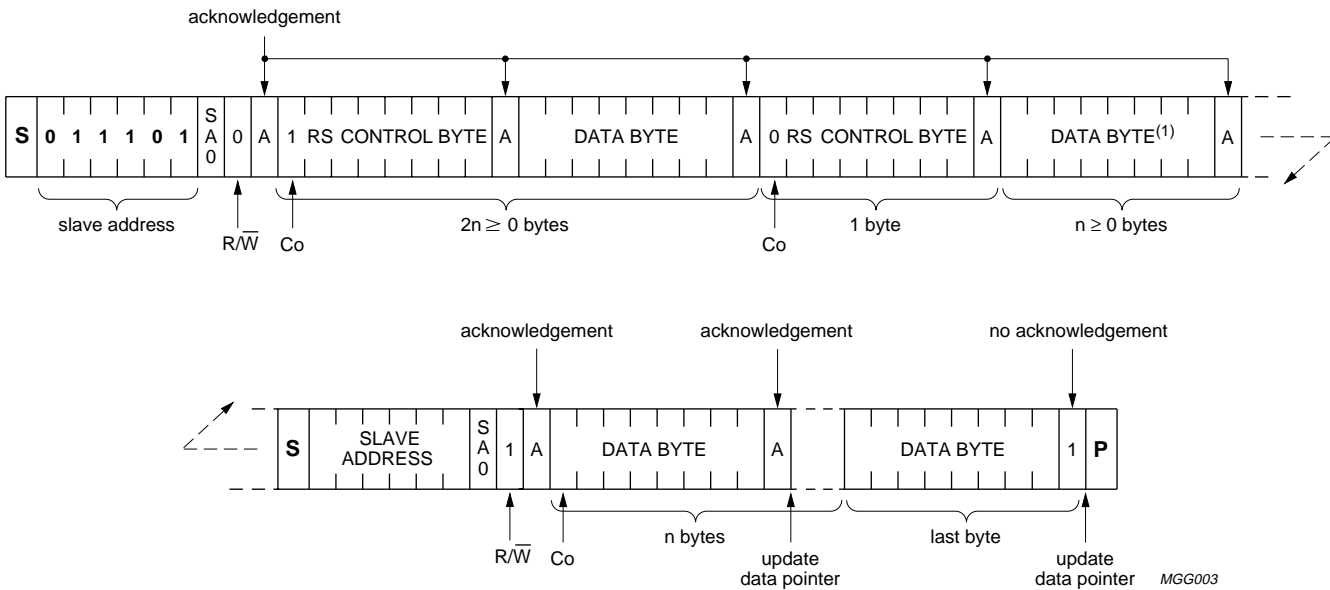


Fig.22 Master transmits to slave receiver; write mode.

LCD controllers/drivers

PCF2119X



(1) Last data byte is a dummy byte (may be omitted).

Fig.23 Master reads after setting word address; writes word address, set RS; 'read data'.

LCD controllers/drivers

PCF2119x

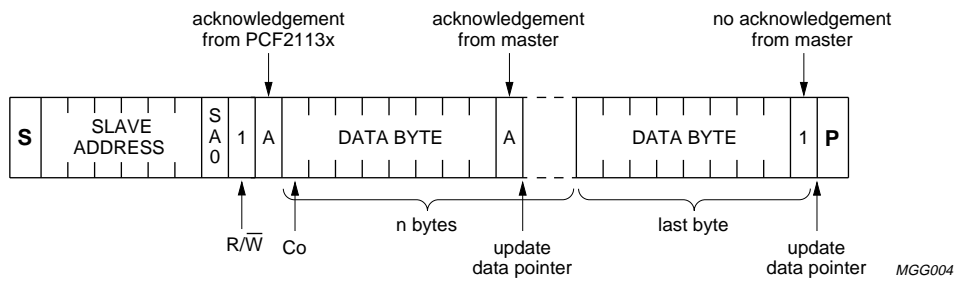


Fig.24 Master reads slave immediately after first byte; read mode (RS previously defined).

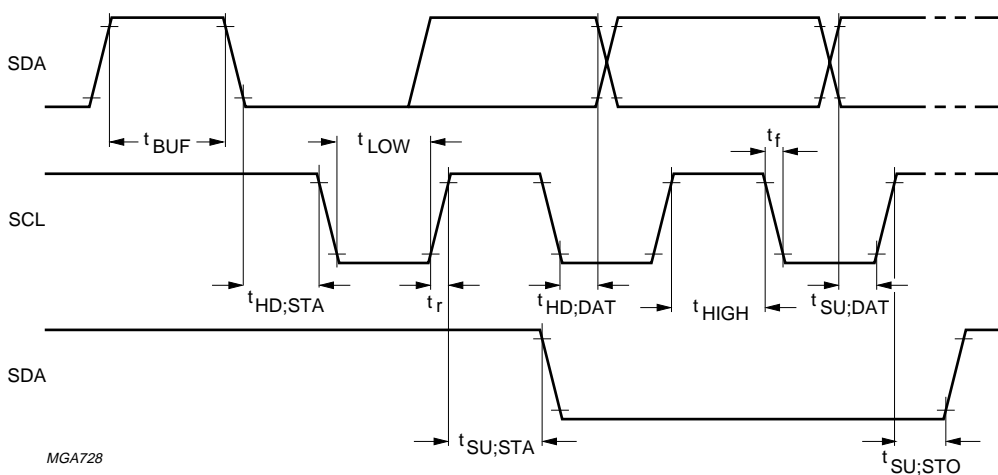


Fig.25 I²C-bus timing diagram.

LCD controllers/drivers

PCF2119x

11 LIMITING VALUES

In accordance with the Absolute Maximum Rating System (IEC 134).

SYMBOL	PARAMETER	MIN.	MAX.	UNIT
V_{DD}	supply voltage	-0.5	+6.5	V
V_{LCD}	LCD supply voltage	-0.5	+7.5	V
V_I	input voltage pads OSC, RS, $\overline{R/W}$, E and DB7 to DB0	-0.5	$V_{DD} + 0.5$	V
V_O	output voltage pads R1 to R18, C1 to C80 and V_{LCD}	-0.5	$V_{LCD} + 0.5$	V
I_I	DC input current	-10	+10	mA
I_O	DC output current	-10	+10	mA
I_{DD} , I_{SS} and I_{LCD}	V_{DD} , V_{SS} or V_{LCD} current	-50	+50	mA
P_{tot}	total power dissipation	-	400	mW
P_O	power dissipation per output	-	100	mW
T_{stg}	storage temperature	-65	+150	°C

12 HANDLING

Inputs and outputs are protected against electrostatic discharge in normal handling. However, to be totally safe, it is desirable to take normal precautions appropriate to handling MOS devices (see "*Handling MOS Devices*").

LCD controllers/drivers

PCF2119x

13 DC CHARACTERISTICS

$V_{DD} = 2.2$ to 4.0 V (external V_{LCD} : $V_{DD} = 2.2$ to 5.5 V); $V_{SS} = 0$ V; $V_{LCD} = 2.2$ to 6.5 V; $T_{amb} = -30$ to $+85$ °C; unless otherwise specified.

SYMBOL	PARAMETER	CONDITIONS	MIN.	TYP.	MAX.	UNIT
Supplies						
V_{DD1}	supply voltage	internal V_{LCD} generation	2.2	–	4.0	V
		external V_{LCD} generation	2.2	–	5.5	V
V_{DD2}	high voltage generator supply voltage	internal V_{LCD} generation	2.2	–	4.0	
V_{LCD}	LCD supply voltage		2.2	–	6.5	V
I_{SS}	ground supply current	external V_{LCD} ; note 1				
		internal V_{LCD} ; notes 1 and 3				
I_{SS1}	ground supply current 1		–	70	120	μ A
I_{SS3}	ground supply current 3	$V_{DD} = 3$ V; $V_{LCD} = 5$ V; note 2	–	45	80	μ A
I_{SS4}	ground supply current 4	icon mode; $V_{DD} = 3$ V; $V_{LCD} = 2.5$ V; note 2	–	25	45	μ A
I_{SS5}	ground supply current 5	power-down mode; $V_{DD} = 3$ V; $V_{LCD} = 2.5$ V; DB7 to DB0, RS and R/W = 1; OSC = 0; PD = 1	–	2	5	μ A
I_{SS6}	ground supply current 6		–	190	400	μ A
I_{SS8}	ground supply current 8	$V_{DD} = 3$ V; $V_{LCD} = 5$ V; note 2	–	160	400	μ A
I_{SS9}	ground supply current 9	icon mode; $V_{DD} = 3$ V; $V_{LCD} = 2.5$ V; note 2	–	120	–	μ A
Logic						
V_{IL1}	LOW-level input voltage pads T1, E, RS, R/W, DB7 to DB0 and SA0		0	–	$0.3V_{DD}$	V
V_{IH1}	HIGH-level input voltage pads T1, E, RS, R/W, DB7 to DB0 and SA0		$0.7V_{DD}$	–	V_{DD}	V
$V_{IL(PD)}$	LOW-level input voltage pad PD		0	–	$0.2V_{DD}$	V
$V_{IH(PD)}$	HIGH-level input voltage pad PD		$0.8V_{DD}$	–	V_{DD}	V
$V_{IL(osc)}$	LOW-level input voltage pad OSC		0	–	$V_{DD} - 1.5$	V
$V_{IH(osc)}$	HIGH-level voltage pad OSC		$V_{DD} - 0.1$	–	V_{DD}	V
$I_{OL(DB)}$	LOW-level output current pads DB7 to DB0	$V_{OL} = 0.4$ V; $V_{DD} = 5$ V	1.6	4	–	mA
$I_{OH(DB)}$	HIGH-level output current pads DB7 to DB0	$V_{OH} = 4$ V; $V_{DD} = 5$ V	–1	–8	–	mA
I_{pu}	pull-up current pads DB7 to DB0	$V_I = V_{SS}$	0.04	0.15	1	μ A
I_L	leakage current pads OSC, E, RS, R/W, DB7 to DB0 and SA0	$V_I = V_{DD}$ or V_{SS}	–1	–	+1	μ A

LCD controllers/drivers

PCF2119x

SYMBOL	PARAMETER	CONDITIONS	MIN.	TYP.	MAX.	UNIT
I²C-bus						
SDA AND SCL						
V _{IL2}	LOW-level input voltage		0	–	0.3V _{DD}	V
V _{IH2}	HIGH-level input voltage		0.7V _{DD}	–	5.5	V
I _{LI}	input leakage current	V _I = V _{DD} or V _{SS}	–1	–	+1	μA
C _i	input capacitance	note 4	–	–	10	pF
I _{OL(SDA)}	LOW-level output current SDA	V _{OL} = 0.4 V; V _{DD} = 5 V	3	–	–	mA
LCD outputs						
R _{O(ROW)}	row output resistance pads R1 to R18	note 5	–	10	30	kΩ
R _{O(COL)}	column output resistance pads C1 to C80	note 5	–	15	40	kΩ
V _{bias(tol)}	bias tolerance pads R1 to R18 and C1 to C80	note 6	–	20	130	mV
V _{VLCD(tol)}	V _{LCD} tolerance	T _{amb} = 25 °C; note 3 V _{LCD} < 3 V V _{LCD} < 4 V V _{LCD} < 5 V V _{LCD} < 6 V V _{LCD} = 5.018 V (V _{AB} = 27H)	–	–	220 270 340 440 340	mV mV mV mV mV
TC0	V _{LCD} temperature coefficient 0	note 7	–	–8.0	–	mV/K
TC1	V _{LCD} temperature coefficient 1	note 7	–	–9.0	–	mV/K
TC2	V _{LCD} temperature coefficient 2	note 7	–	–10.5	–	mV/K
TC3	V _{LCD} temperature coefficient 3	note 7	–	–11.8	–	mV/K

Notes

- LCD outputs are open-circuit; inputs at V_{DD} or V_{SS}; bus inactive.
- T_{amb} = 25 °C; f_{OSC} = 200 kHz.
- LCD outputs are open-circuit; HV generator is on; load current I_{VLCD} (at V_{LCD}) = 5 μA.
- Tested on sample basis.
- Resistance of output terminals (R1 to R18 and C1 to C80) with a load current of 20 μA; outputs measured one at a time; external V_{LCD}.
- LCD outputs open-circuit; external V_{LCD}.
- Temperature coefficient at V_{OP} = 5.0 V. Typical range ±2 mV/K.

LCD controllers/drivers

PCF2119x

14 AC CHARACTERISTICS

$V_{DD} = 2.2$ to 5.5 V; $V_{SS} = 0$ V; $V_{LCD} = 2.2$ to 6.5 V; $T_{amb} = -40$ to $+85$ °C; unless otherwise specified.

SYMBOL	PARAMETER	CONDITIONS	MIN.	TYP.	MAX.	UNIT
f_{FR}	LCD frame frequency (internal clock)	$V_{DD} = 5.0$ V	45	95	147	Hz
f_{OSC}	oscillator frequency (not available at any pad)		140	250	450	kHz
$f_{OSC(ext)}$	external clock frequency		140	–	450	kHz
t_{OSCST}	oscillator start-up time after power-down		–	200	300	μ s
Bus timing characteristics: parallel interface; note 1						
WRITE OPERATION (WRITING DATA FROM MPU TO PCF2119X)						
$T_{cy(en)}$	enable cycle time		500	–	–	ns
$t_{W(en)}$	enable pulse width		220	–	–	ns
$t_{su(A)}$	address set-up time		50	–	–	ns
$t_{h(A)}$	address hold time		25	–	–	ns
$t_{su(D)}$	data set-up time		60	–	–	ns
$t_{h(D)}$	data hold time		25	–	–	ns
READ OPERATION (READING DATA FROM PCF2119X TO MPU)						
$T_{cy(en)}$	enable cycle time		500	–	–	ns
$t_{W(en)}$	enable pulse width		220	–	–	ns
$t_{su(A)}$	address set-up time		50	–	–	ns
$t_{h(A)}$	address hold time		25	–	–	ns
$t_{d(D)}$	data delay time		–	–	150	ns
$t_{h(D)}$	data hold time		20	–	100	ns
Timing characteristics: I²C-bus interface; note 1						
f_{SCL}	SCL clock frequency		–	–	400	kHz
t_{LOW}	SCL clock low period		1.3	–	–	μ s
t_{HIGH}	SCL clock high period		0.6	–	–	μ s
$t_{SU;DAT}$	data set-up time		100	–	–	ns
$t_{HD;DAT}$	data hold time		0	–	–	ns
t_r	SCL, SDA rise time		–	–	300	ns
t_f	SCL, SDA fall time		–	–	300	ns
C_B	capacitive bus line load		–	–	400	pF
$t_{SU;STA}$	set-up time for a repeated START condition		0.6	–	–	μ s
$t_{HD;STA}$	START condition hold time		0.6	–	–	μ s
$t_{SU;STO}$	set-up time for STOP condition		0.6	–	–	μ s
t_{SW}	tolerable spike width on bus		–	–	50	ns

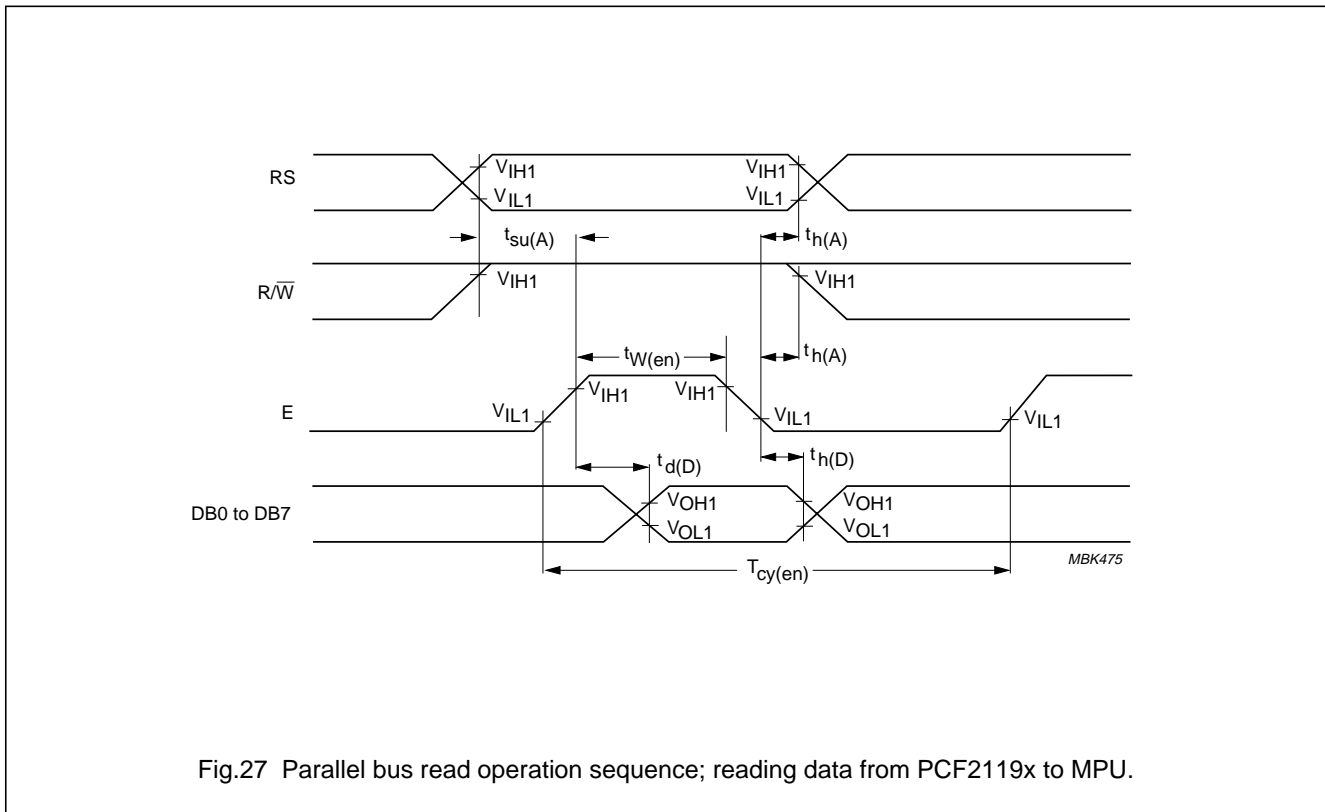
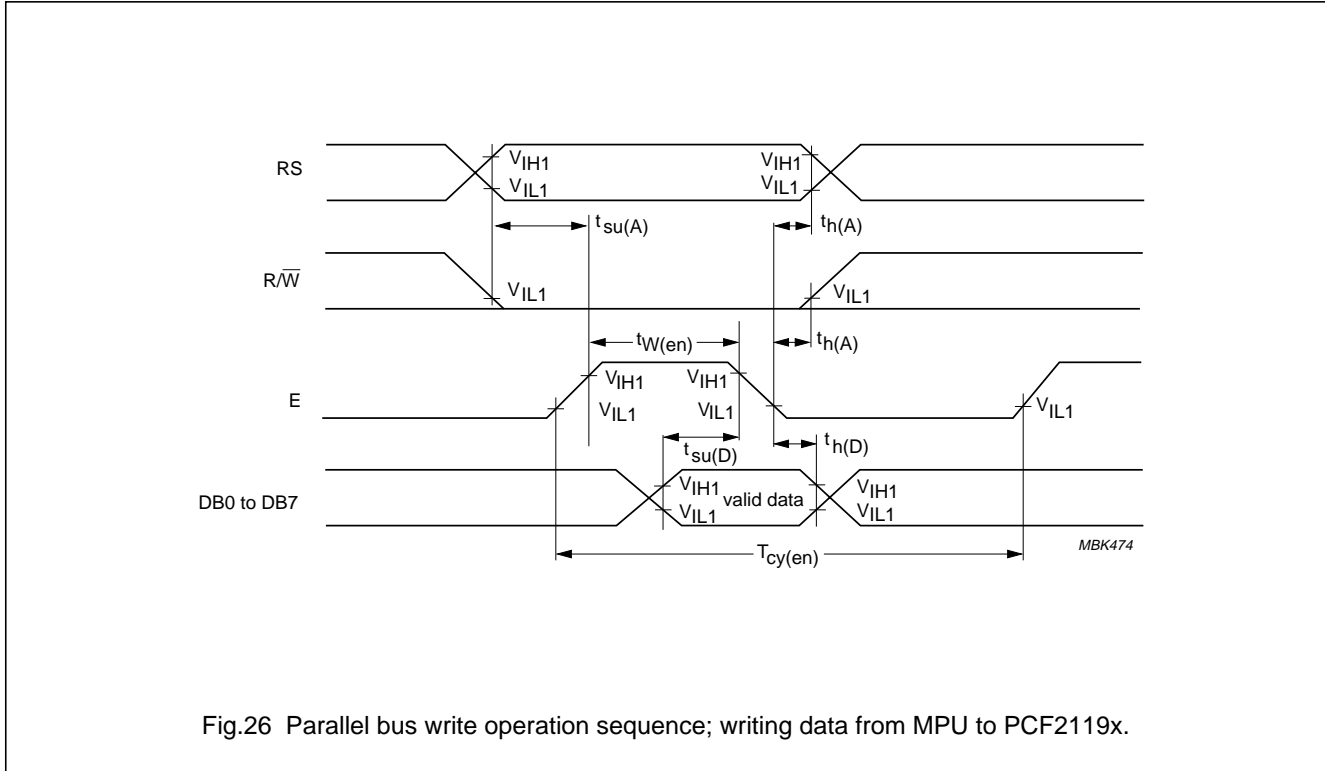
Note

- All timing values are valid within the operating supply voltage and ambient temperature range and are referenced to V_{IL} and V_{IH} with an input voltage swing of V_{SS} to V_{DD} .

LCD controllers/drivers

PCF2119x

15 TIMING CHARACTERISTICS



LCD controllers/drivers

PCF2119x

16 APPLICATION INFORMATION

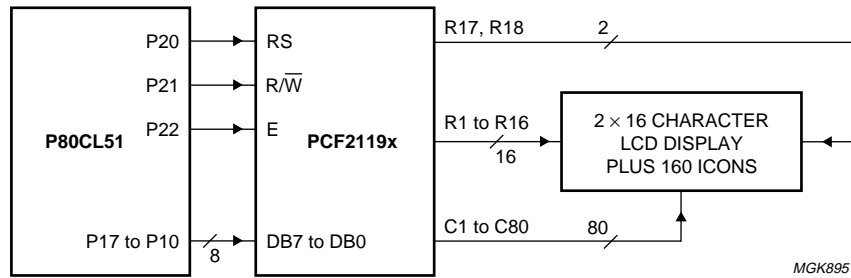


Fig.28 Direct connection to 8-bit MPU; 8-bit bus.

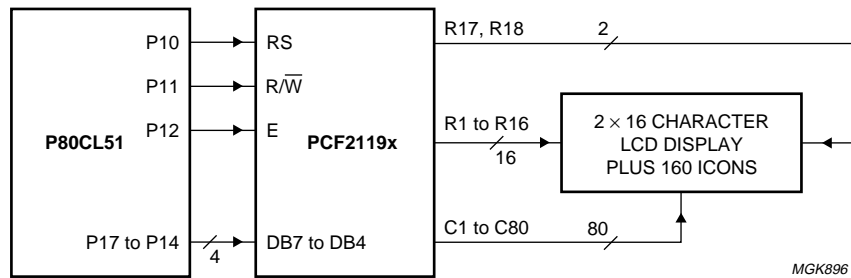


Fig.29 Direct connection to 8-bit MPU; 4-bit bus.

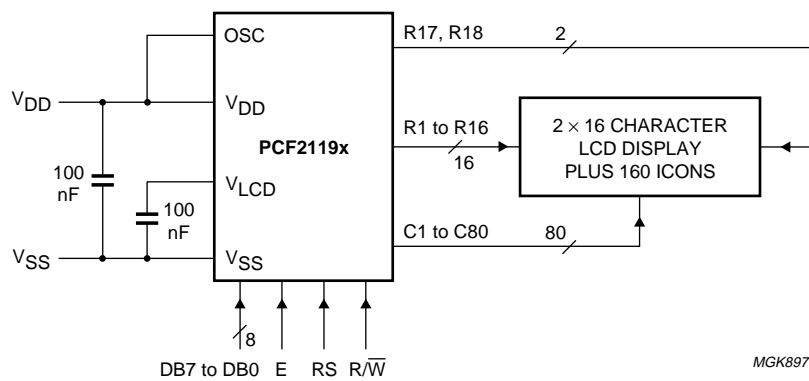


Fig.30 Typical application using parallel interface.

LCD controllers/drivers

PCF2119x

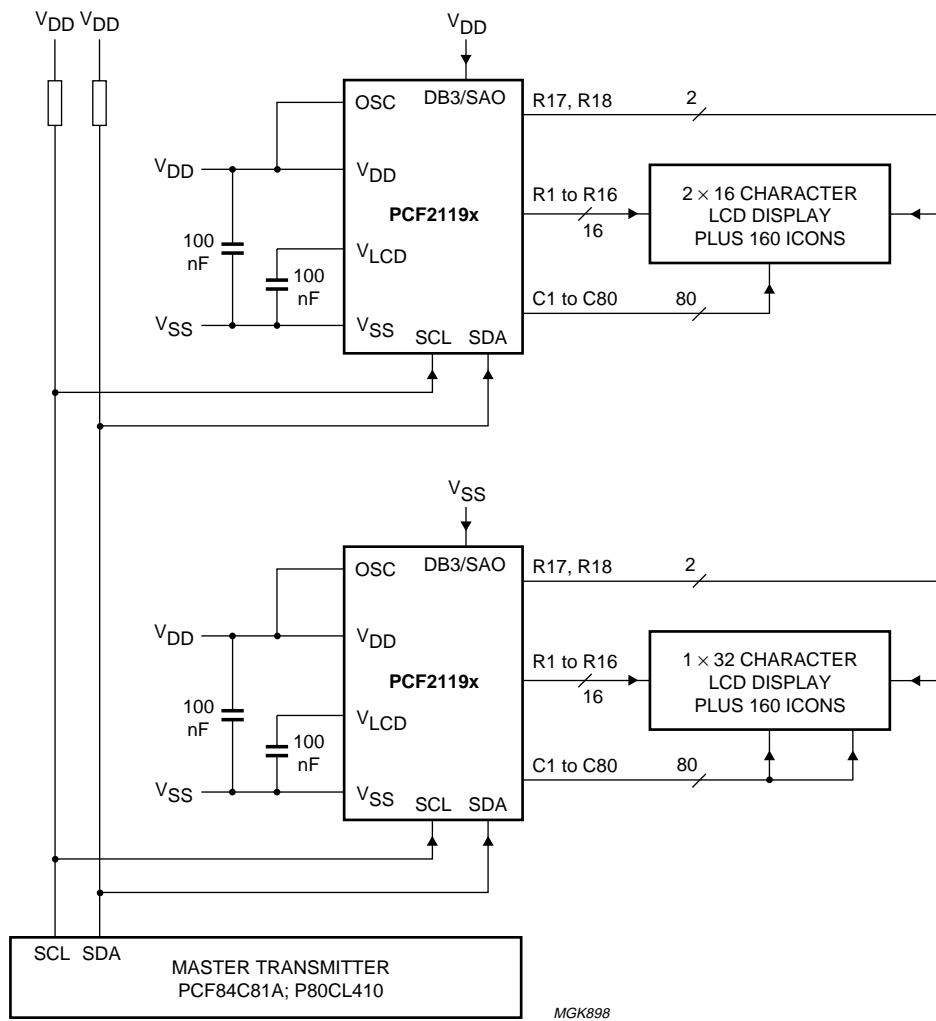


Fig.31 Application using I²C-bus interface.

LCD controllers/drivers

PCF2119x

16.1 8-bit operation, 1-line display using external reset

Table 13 shows an example of a 1-line display in 8-bit operation. The PCF2119x functions must be set by the 'function set' instruction prior to display. Since the DDRAM can store data for 80 characters, the RAM can be used for advertising displays when combined with display shift operation. Since the display shift operation changes display position only and the DDRAM contents remain unchanged, display data entered first can be displayed when the 'return home' operation is performed.

16.2 4-bit operation, 1-line display using external reset

The program must set functions prior to a 4-bit operation, see Table 12. When power is turned on, 8-bit operation is automatically selected and the PCF2119x attempts to perform the first write as an 8-bit operation. Since nothing is connected to DB0 to DB3, a rewrite is then required. However, since one operation is completed in two accesses of 4-bit operation, a rewrite is required to set the functions (see Table 12 step 3). Thus, DB4 to DB7 of the 'function set' are written twice.

16.3 8-bit operation, 2-line display

For a 2-line display, the cursor automatically moves from the first to the second line after the 40th digit of the first line has been written. Thus, if there are only 8 characters in the first line, the DDRAM address must be set after the 8th character is completed (see Table 6). It should be noted that both lines of the display are always shifted together; data does not shift from one line to the other.

16.4 I²C-bus operation, 1-line display

A control byte is required with most commands (see Table 16).

Table 12 4-bit operation, 1-line display example; using external reset

STEP	INSTRUCTION	DISPLAY	OPERATION
1	power supply on (PCF2119x is initialized by the external reset)		initialized; no display appears
2	function set RS R/W DB7 DB6 DB5 DB4 0 0 0 0 1 0		sets to 4-bit operation; in this instance operation is handled as 8-bits by initialization and only this instruction completes with one write
3	function set 0 0 0 0 1 0 0 0 0 0 0 0		sets to 4-bit operation, selects 1-line display and $V_{LCD} = V_0$; 4-bit operation starts from this point and resetting is needed
4	display on/off control 0 0 0 0 0 0 0 0 1 1 1 0	—	turns on display and cursor; entire display is blank after initialization
5	entry mode set 0 0 0 0 0 0 0 0 0 1 1 0	—	sets mode to increment the address by 1 and to shift the cursor to the right at the time of write to the DD/CGRAM; display is not shifted
6	'write data' to CGRAM/DDRAM 1 0 0 1 0 1 1 0 0 0 0 0	P_	writes 'P'; the DDRAM has already been selected by initialization at power-on; the cursor is incremented by 1 and shifted to the right

LCD controllers/drivers

PCF2119X

Table 13 8-bit operation, 1-line display example; using external reset (character set 'A')

STEP	INSTRUCTION	DISPLAY	OPERATION
1	power supply on (PCF2119x is initialized by the external reset)		initialized; no display appears
2	function set RS R/W DB7 DB6 DB5 DB4 DB3 DB2 DB1 DB0 0 0 0 0 1 1 0 0 0 0		sets to 8-bit operation, selects 1-line display and $V_{LCD} = V_0$
3	display mode on/off control 0 0 0 0 0 0 1 1 1 0	_	turns on display and cursor; entire display is blank after initialization
4	entry mode set 0 0 0 0 0 0 0 1 1 0	_	sets mode to increment the address by 1 and to shift the cursor to the right at the time of the write to the DD/CGRAM; display is not shifted
5	'write data' to CGRAM/DDRAM 1 0 0 1 0 1 0 0 0 0	P_	writes 'P'; the DDRAM has already been selected by initialization at power-on; the cursor is incremented by 1 and shifted to the right
6	'write data' to CGRAM/DDRAM 1 0 0 1 0 0 1 0 0 0	PH_	writes 'H'
7 to 11		 	
12	'write data' to CGRAM/DDRAM 1 0 0 1 0 1 0 0 1 1	PHILIPS_	writes 'S'
13	entry mode set 0 0 0 0 0 0 0 1 1 1	PHILIPS_	sets mode for display shift at the time of write
14	'write data' to CGRAM/DDRAM 1 0 0 0 1 0 0 0 0 0	HILIPS _	writes space
15	'write data' to CGRAM/DDRAM 1 0 0 1 0 0 1 1 0 1	ILIPS M_	writes 'M'
16		 	

LCD controllers/drivers

PCF2119X

STEP	INSTRUCTION	DISPLAY	OPERATION
17	'write data' to CGRAM/DDRAM 1 0 0 1 0 0 1 1 1 1	MICROK<u>O</u>_	writes 'O'
18	cursor/display shift 0 0 0 0 0 1 0 0 0 0	MICROK<u>O</u>	shifts only the cursor position to the left
19	cursor/display shift 0 0 0 0 0 1 0 0 0 0	MICROK<u>O</u>	shifts only the cursor position to the left
20	'write data' to CGRAM/DDRAM 1 0 0 1 0 0 0 0 1 1	ICRO<u>C</u><u>O</u>	writes 'C' correction; the display moves to the left
21	cursor/display shift 0 0 0 0 0 1 1 1 0 0	MICRO<u>C</u><u>O</u>	shifts the display and cursor to the right
22	cursor/display shift 0 0 0 0 0 1 0 1 0 0	MICRO<u>C</u><u>O</u>_	shifts only the cursor to the right
23	'write data' to CGRAM/DDRAM 1 0 0 1 0 0 1 1 0 1	ICRO<u>C</u><u>O</u><u>M</u>_	writes 'M'
24		 	
25	return home 0 0 0 0 0 0 0 0 1 0	<u>P</u>HILIPS <u>M</u>	returns both display and cursor to the original position (address 0)

LCD controllers/drivers

PCF2119X

Table 14 8-bit operation, 1-line display and icon example; using external reset (character set 'A')

STEP	INTRODUCTION	DISPLAY	OPERATION
1	power supply on (PCF2119x is initialized by the external reset)		initialized; no display appears
2	function set RS R/W DB7 DB6 DB5 DB4 DB3 DB2 DB1 DB0 0 0 0 0 1 1 0 0 0 0		sets to 8-bit operation, selects 1-line display and $V_{LCD} = V_0$
3	display mode on/off control 0 0 0 0 0 0 1 1 1 0	–	turns on display and cursor; entire display is blank after initialization
4	entry mode set 0 0 0 0 0 0 0 1 1 0	–	sets mode to increment the address by 1 and to shift the cursor to the right at the time of the write to the DD/CGRAM; display is not shifted
5	set CGRAM address 0 0 0 1 0 0 0 0 0 0	–	sets the CGRAM address to position of character 0; the CGRAM is selected
6	'write data' to CGRAM/DDRAM 1 0 0 0 0 0 1 0 1 0	–	writes data to CGRAM for icon even phase; icons appears
7			
8	set CGRAM address 0 0 0 1 1 1 0 0 0 0	–	sets the CGRAM address to position of character 4; the CGRAM is selected
9	'write data' to CGRAM/DDRAM 1 0 0 0 0 0 1 0 1 0	–	writes data to CGRAM for icon odd phase
10			
11	function set 0 0 0 0 1 1 0 0 0 1	–	sets H = 1
12	icon control 0 0 0 0 0 0 1 0 1 0	–	icons blink
13	function set 0 0 0 0 1 1 0 0 0 1	–	sets H = 0

LCD controllers/drivers

PCF2119X

STEP	INTRODUCTION	DISPLAY	OPERATION
14	set DDRAM address 0 0 1 0 0 0 0 0 0 0		sets the DDRAM address to the first position; DDRAM is selected
15	'write data' to CGRAM/DDRAM 1 0 0 1 0 1 0 0 0 0	P_	writes 'P'; the cursor is incremented by 1 and shifted to the right
16	'write data' to CGRAM/DDRAM 1 0 0 1 0 0 1 0 0 0	PH_	writes 'H'
17 to 20		 	
21	return home 0 0 0 0 0 0 0 0 1 0	PHILIPS	returns both display and cursor to the original position (address 0)

LCD controllers/drivers

PCF2119X

Table 15 8-bit operation, 2-line display example; using external reset

STEP	INTRODUCTION	DISPLAY	OPERATION
1	power supply on (PCF2119x is initialized by the external reset)		initialized; no display appears
2	function set RS R/W DB7 DB6 DB5 DB4 DB3 DB2 DB1 DB0 0 0 0 0 1 1 1 0 0 0		sets to 8-bit operation; selects 2-line display and voltage generator off
3	display on/off control 0 0 0 0 0 0 1 1 1 0	–	turns on display and cursor; entire display is blank after initialization
4	entry mode set 0 0 0 0 0 0 0 1 1 0	–	sets mode to increment the address by 1 and to shift the cursor to the right at the time of write to the CG/DDRAM; display is not shifted
5	'write data' to CGRAM/DDRAM 1 0 0 1 0 1 0 0 0 0	P_	writes 'P'; the DDRAM has already been selected by initialization at power-on; the cursor is incremented by 1 and shifted to the right
6 to 10		 	
11	'write data' to CGRAM/DDRAM 1 0 0 1 0 1 0 0 1 1	PHILIPS_	writes 'S'
12	set DDRAM address 0 0 1 1 0 0 0 0 0 0	PHILIPS –	sets DDRAM address to position the cursor at the head of the 2nd line
13	'write data' to CGRAM/ DDRAM 1 0 0 1 0 0 1 1 0 1	PHILIPS M_	writes 'M'
14 to 19		 	

LCD controllers/drivers

PCF2119X

STEP	INTRODUCTION	DISPLAY	OPERATION
20	'write data' to CGRAM/DDRAM 1 0 0 1 0 0 1 1 1 1	PHILIPS MICROCO_	writes 'O'
21	'write data' to CGRAM/DDRAM 0 0 0 0 0 0 0 1 1 1	PHILIPS MICROCO_	sets mode for display shift at the time of write
22	'write data' to CGRAM/DDRAM 1 0 0 1 0 0 1 1 0 1	HILIPS ICROCOM_	writes 'M'; display is shifted to the left; the first and second lines shift together
23		 	
24	return home 0 0 0 0 0 0 0 0 1 0	PHILIPS MICROCOM	returns both display and cursor to the original position (address 0)

LCD controllers/drivers

PCF2119X

Table 16 Example of I²C-bus operation; 1-line display (using external reset, assuming SA0 = V_{SS}; note 1)

STEP	I ² C BYTE	DISPLAY	OPERATION
1	I ² C-bus start		initialized; no display appears
2	slave address for write SA6 SA5 SA4 SA3 SA2 SA1 SA0 R/W̄ Ack 0 1 1 1 0 1 0 0 1		during the acknowledge cycle SDA will be pulled-down by the PCF2119x
3	send a control byte for 'function set' Co RS 0 0 0 0 0 0 Ack 0 0 0 0 0 0 0 0 1		control byte sets RS for following data bytes
4	function set DB7 DB6 DB5 DB4 DB3 DB2 DB1 DB0 Ack 0 0 1 X 0 0 0 0 1		selects 1-line display and V _{LCD} = V _O ; SCL pulse during acknowledge cycle starts execution of instruction
5	display on/off control DB7 DB6 DB5 DB4 DB3 DB2 DB1 DB0 Ack 0 0 0 0 1 1 1 0 1	–	turns on display and cursor; entire display shows character 20H (blank in ASCII-like character sets)
6	entry mode set DB7 DB6 DB5 DB4 DB3 DB2 DB1 DB0 Ack 0 0 0 0 0 1 1 0 1	–	sets mode to increment the address by 1 and to shift the cursor to the right at the time of write to the DDRAM or CGRAM; display is not shifted
7	I ² C start	–	for writing data to DDRAM, RS must be set to 1; therefore a control byte is needed
8	slave address for write SA6 SA5 SA4 SA3 SA2 SA1 SA0 R/W̄ Ack 0 1 1 1 0 1 0 0 1	–	
9	send a control byte for 'write data' Co RS 0 0 0 0 0 0 Ack 0 1 0 0 0 0 0 0 1	–	
10	'write data' to DDRAM DB7 DB6 DB5 DB4 DB3 DB2 DB1 DB0 Ack 0 1 0 1 0 0 0 0 1	P_	writes 'P'; the DDRAM has been selected at power-up; the cursor is incremented by 1 and shifted to the right
11	'write data' to DDRAM DB7 DB6 DB5 DB4 DB3 DB2 DB1 DB0 Ack 0 1 0 0 1 0 0 0 1	PH_	writes 'H'

LCD controllers/drivers

PCF2119X

STEP	I ² C BYTE	DISPLAY	OPERATION
12 to 15			
16	'write data' to DDRAM DB7 DB6 DB5 DB4 DB3 DB2 DB1 DB0 Ack 0 1 0 1 0 0 1 1 1	PHILIPS_	writes 'S'
17	(optional I ² C stop) I ² C start + slave address for write (as step 8)	PHILIPS_	
18	control byte Co RS 0 0 0 0 0 0 Ack 1 0 0 0 0 0 0 0 1	PHILIPS_	
19	return home DB7 DB6 DB5 DB4 DB3 DB2 DB1 DB0 Ack 0 0 0 0 0 0 1 0 1	PHILIPS	sets DDRAM address 0 in address counter (also returns shifted display to original position; DDRAM contents unchanged); this instruction does not update the Data Register (DR)
20	I ² C start	PHILIPS	
21	slave address for read SA6 SA5 SA4 SA3 SA2 SA1 SA0 R/W Ack 0 1 1 1 0 1 0 1 1	PHILIPS	during the acknowledge cycle the content of the DR is loaded into the internal I ² C-bus interface to be shifted out; in the previous instruction neither a 'set address' nor a 'read data' has been performed; therefore the content of the DR was unknown; the R/W has to be set to 1 while still in I ² C-write mode
22	control byte for read Co RS 0 0 0 0 0 0 Ack 0 1 1 0 0 0 0 0 1	PHILIPS	DDRAM content will be read from following instructions
23	'read data': 8 × SCL + master acknowledge; note 2 DB7 DB6 DB5 DB4 DB3 DB2 DB1 DB0 Ack X X X X X X X X 0	PHILIPS	8 × SCL; content loaded into interface during previous acknowledge cycle is shifted out over SDA; MSB is DB7; during master acknowledge content of DDRAM address 01 is loaded into the I ² C-bus interface

LCD controllers/drivers

PCF2119X

STEP	I ² C BYTE	DISPLAY	OPERATION
24	'read data': 8 × SCL + master acknowledge; note 2 DB7 DB6 DB5 DB4 DB3 DB2 DB1 DB0 Ack 0 1 0 0 1 0 0 0 0	PHILIPS	8 × SCL; code of letter 'H' is read first; during master acknowledge code of 'I' is loaded into the I ² C interface
25	'read data': 8 × SCL + no master acknowledge; note 2 DB7 DB6 DB5 DB4 DB3 DB2 DB1 DB0 Ack 0 1 0 0 1 0 0 1 1	PHILIPS	no master acknowledge; after the content of the I ² C-bus interface register is shifted out no internal action is performed; no new data is loaded to the interface register, data register is not updated, address counter is not incremented and cursor is not shifted
26	I ² C stop	PHILIPS	

Notes

1. X = don't care.
2. SDA is left at high-impedance by the microcontroller during the read acknowledge.

LCD controllers/drivers

PCF2119X

Table 17 Initialization by instruction, 8-bit interface (note 1)

STEP										DESCRIPTION
power-on or unknown state										
wait 2 ms after external reset has been applied										
RS	R/W	DB7	DB6	DB5	DB4	DB3	DB2	DB1	DB0	BF cannot be checked before this instruction
0	0	0	0	1	1	X	X	X	X	function set (interface is 8 bits long)
wait 2 ms										
RS	R/W	DB7	DB6	DB5	DB4	DB3	DB2	DB1	DB0	BF cannot be checked before this instruction
0	0	0	0	1	1	X	X	X	X	function set (interface is 8 bits long)
wait more than 40 μs										
RS	R/W	DB7	DB6	DB5	DB4	DB3	DB2	DB1	DB0	BF cannot be checked before this instruction
0	0	0	0	1	1	X	X	X	X	function set (interface is 8 bits long)
										BF can be checked after the following instructions; when BF is not checked, the waiting time between instructions is the specified instruction time (see Table 3)
RS	R/W	DB7	DB6	DB5	DB4	DB3	DB2	DB1	DB0	function set (interface is 8 bits long); specify the number of display lines
0	0	0	0	1	1	0	M	0	H	
0	0	0	0	0	0	1	0	0	0	display off
0	0	0	0	0	0	0	0	0	1	clear display
0	0	0	0	0	0	0	1	I/D	S	entry mode set
Initialization ends										

Note

1. X = don't care.

LCD controllers/drivers

PCF2119X

Table 18 Initialization by instruction, 4-bit interface; not applicable for I²C-bus operation

STEP						DESCRIPTION
power-on or unknown state						
Wait 2 ms after external reset has been applied						
RS	R/W	DB7	DB6	DB5	DB4	BF cannot be checked before this instruction
0	0	0	0	1	1	function set (interface is 8 bits long)
Wait 2 ms						
RS	R/W	DB7	DB6	DB5	DB4	BF cannot be checked before this instruction
0	0	0	0	1	1	function set (interface is 8 bits long)
Wait 40 μs						
RS	R/W	DB7	DB6	DB5	DB4	BF cannot be checked before this instruction
0	0	0	0	1	1	function set (interface is 8 bits long)
						BF can be checked after the following instructions; when BF is not checked, the waiting time between instructions is the specified instruction time (see Table 3)
RS	R/W	DB7	DB6	DB5	DB4	function set (set interface to 4 bits long)
0	0	0	0	1	0	interface is 8 bits long
0	0	0	0	1	0	function set (interface is 4 bits long)
0	0	0	M	0	H	specify number of display lines
0	0	0	0	0	0	
0	0	1	0	0	0	display off
0	0	0	0	0	0	clear display
0	0	0	0	0	1	
0	0	0	0	0	0	entry mode set
0	0	0	1	I/D	S	
Initialization ends						

LCD controllers/drivers

PCF2119x

17 BONDING PAD LOCATIONS

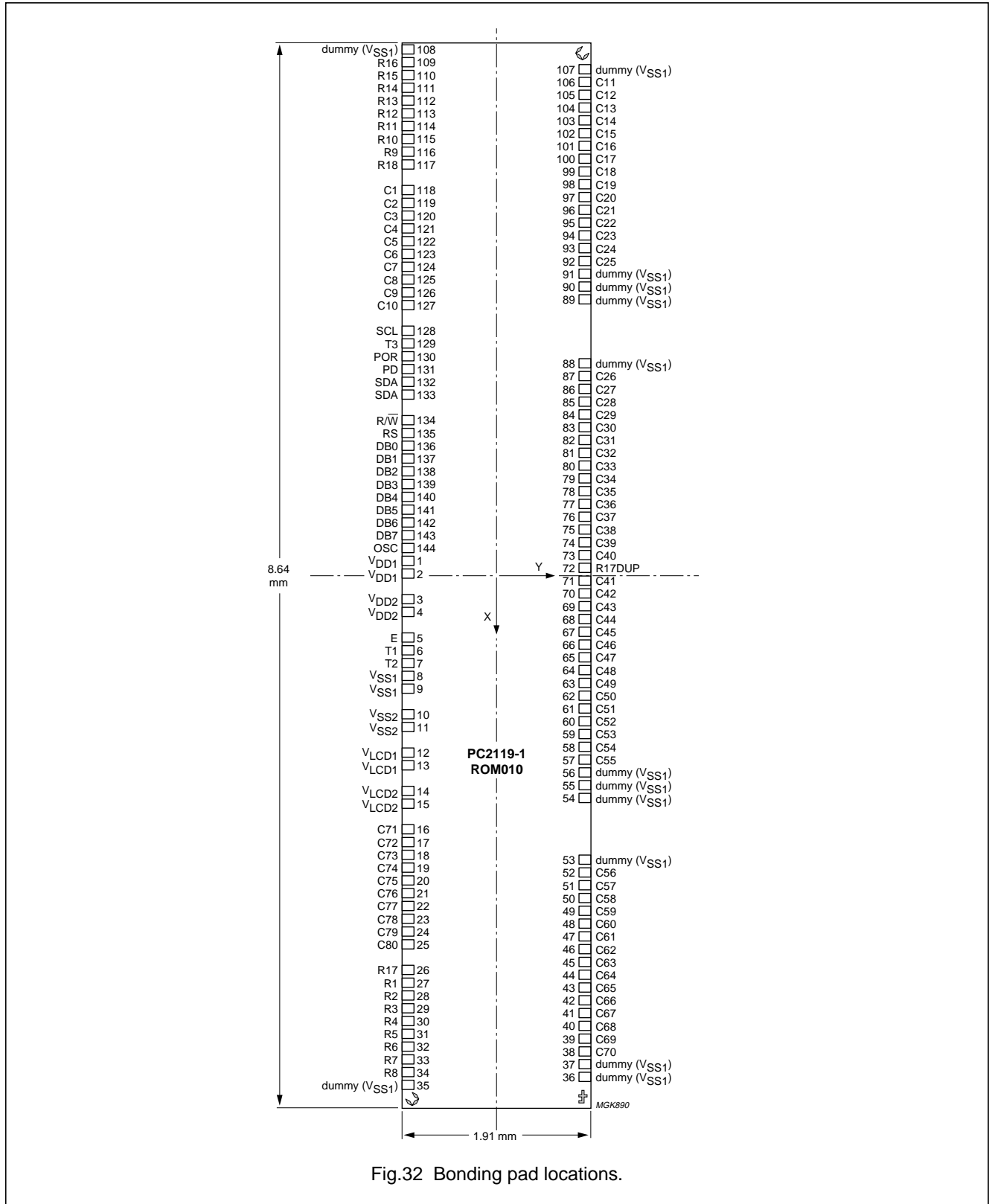


Fig.32 Bonding pad locations.

LCD controllers/drivers

PCF2119x

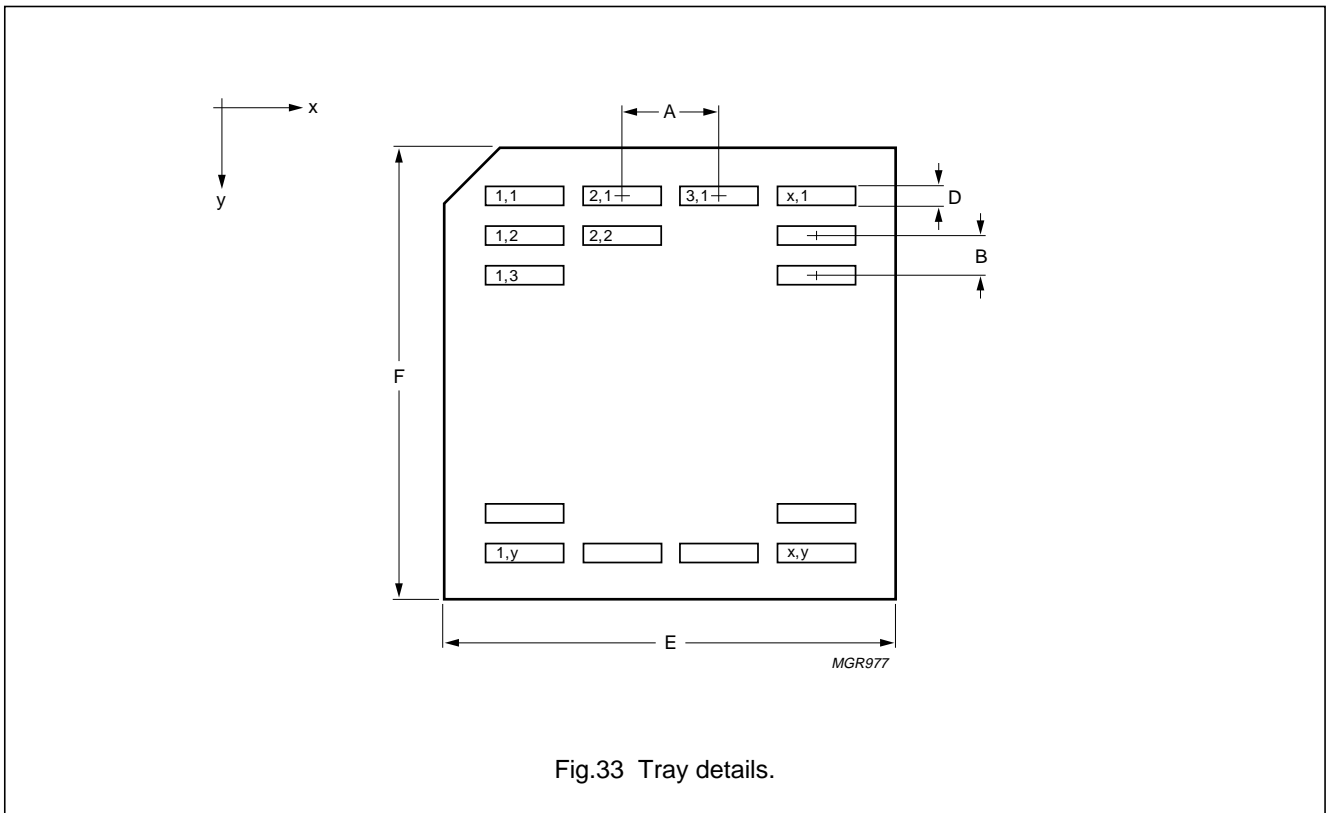


Fig.33 Tray details.

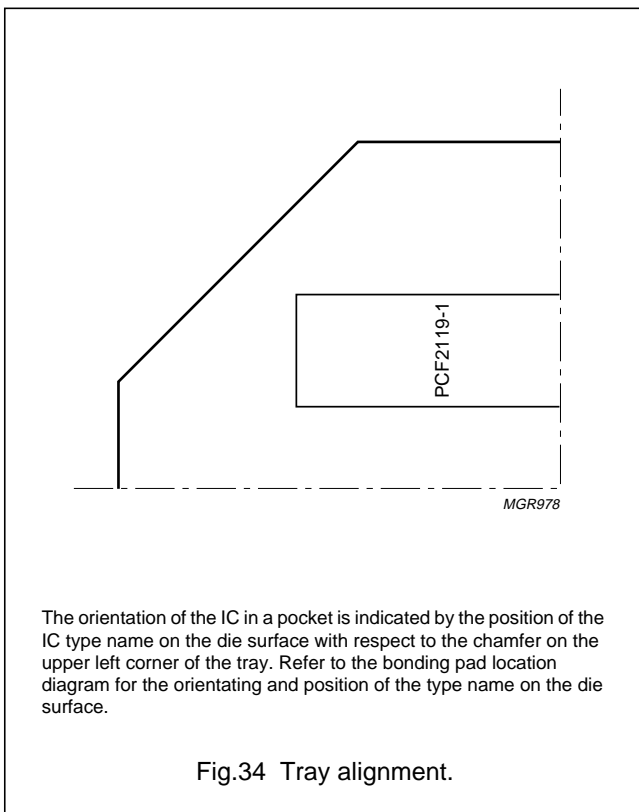


Fig.34 Tray alignment.

Table 19 Dimensions for Fig.33

DIM.	DESCRIPTION	VALUE
A	pocket pitch, x direction	10.89 mm
B	pocket pitch, y direction	4.34 mm
C	pocket width, x direction	8.74 mm
D	pocket width, y direction	2.01 mm
E	tray width, x direction	50.67 mm
F	tray width, y direction	50.67 mm
x	number of pockets in x direction	4
y	number of pockets in y direction	10

LCD controllers/drivers

PCF2119x

Table 20 Bonding pad locations

Dimensions in μm ; all x/y coordinates are referenced to centre of chip; see Fig.32

SYMBOL	PAD	x	y
V _{DD1}	1	-117	-779
V _{DD1}	2	-16	-779
V _{DD2}	3	+185	-779
V _{DD2}	4	+286	-779
E	5	+486	-779
T1	6	+587	-779
T2	7	+688	-779
V _{SS1}	8	+789	-779
V _{SS1}	9	+889	-779
V _{SS2}	10	+1090	-779
V _{SS2}	11	+1191	-779
V _{LCD1}	12	+1393	-779
V _{LCD1}	13	+1493	-779
V _{LCD2}	14	+1695	-779
V _{LCD2}	15	+1795	-779
C71	16	+1996	-779
C72	17	+2097	-779
C73	18	+2198	-779
C74	19	+2298	-779
C75	20	+2399	-779
C76	21	+2499	-779
C77	22	+2600	-779
C78	23	+2701	-779
C79	24	+2801	-779
C80	25	+2902	-779
R17	26	+3103	-779
R1	27	+3204	-779
R2	28	+3304	-779
R3	29	+3405	-779
R4	30	+3505	-779
R5	31	+3606	-779
R6	32	+3707	-779
R7	33	+3807	-779
R8	34	+3908	-779
Dummy (V _{SS1})	35	+4008	-779
Dummy (V _{SS1})	36	3957	779
Dummy (V _{SS1})	37	3856	779
C70	38	3756	779
C69	39	3655	779
C68	40	3555	779
C67	41	3454	779

SYMBOL	PAD	x	y
C66	42	3353	779
C65	43	3253	779
C64	44	3152	779
C63	45	3052	779
C62	46	2951	779
C61	47	2850	779
C60	48	2750	779
C59	49	2649	779
C58	50	2549	779
C57	51	2448	779
C56	52	2347	779
Dummy (V _{SS1})	53	2247	779
Dummy (V _{SS1})	54	1744	779
Dummy (V _{SS1})	55	1643	779
Dummy (V _{SS1})	56	1543	779
C55	57	1442	779
C54	58	1341	779
C53	59	1241	779
C52	60	1140	779
C51	61	1040	779
C50	62	939	779
C49	63	838	779
C48	64	738	779
C47	65	637	779
C46	66	537	779
C45	67	436	779
C44	68	335	779
C43	69	235	779
C42	70	134	779
C41	71	34	779
R17DUP	72	-67	+779
C40	73	-168	+779
C39	74	-268	+779
C38	75	-369	+779
C37	76	-469	+779
C36	77	-570	+779
C35	78	-671	+779
C34	79	-771	+779
C33	80	-872	+779
C32	81	-972	+779
C31	82	-1073	+779

LCD controllers/drivers

PCF2119x

SYMBOL	PAD	x	y
C30	83	-1174	+779
C29	84	-1274	+779
C28	85	-1375	+779
C27	86	-1475	+779
C26	87	-1576	+779
Dummy (V_{SS1})	88	-1677	+779
Dummy (V_{SS1})	89	-2180	+779
Dummy (V_{SS1})	90	-2280	+779
Dummy (V_{SS1})	91	-2381	+779
C25	92	-2481	+779
C24	93	-2582	+779
C23	94	-2683	+779
C22	95	-2783	+779
C21	96	-2884	+779
C20	97	-2984	+779
C19	98	-3085	+779
C18	99	-3186	+779
C17	100	-3286	+779
C16	101	-3387	+779
C15	102	-3487	+779
C14	103	-3588	+779
C13	104	-3689	+779
C12	105	-3789	+779
C11	106	-3890	+779
Dummy (V_{SS1})	107	-3990	+779
Dummy (V_{SS1})	108	-4141	-779
R16	109	-4041	-779
R15	110	-3940	-779
R14	111	-3840	-779
R13	112	-3739	-779
R12	113	-3638	-779
R11	114	-3538	-779
R10	115	-3437	-779
R9	116	-3337	-779
R18	117	-3236	-779
C1	118	-3035	-779
C2	119	-2934	-779
C3	120	-2834	-779
C4	121	-2733	-779
C5	122	-2633	-779
C6	123	-2532	-779
C7	124	-2431	-779
C8	125	-2331	-779
C9	126	-2230	-779

SYMBOL	PAD	x	y
C10	127	-2129	-779
SCL	128	-1928	-779
T3	129	-1827	-779
POR	130	-1726	-779
PD	131	-1626	-779
SDA	132	-1525	-779
SDA	133	-1425	-779
R/W	134	-1223	-779
RS	135	-1123	-779
DB0/SA0	136	-1022	-779
DB1	137	-922	-779
DB2	138	-821	-779
DB3	139	-720	-779
DB4	140	-620	-779
DB5	141	-519	-779
DB6	142	-419	-779
DB7	143	-318	-779
OSC	144	-217	-779
Rec. Pat. C1	-	+4125	-762
Rec. Pat. C2	-	-4125	+762
Rec. Pat. +	-	4095	762

Table 21 Bump size

PARAMETER	VALUE	UNIT
Type	galvanic pure Au	-
Bump width	70 ±6	µm
Bump length	90 ±6	µm
Bump height	17.5 ±5	µm
Height difference in one die	<2	µm
Convex deformation	<5	µm
Pad size, aluminium	85 × 100	µm
Passivation opening CBB	58 × 78	µm
Wafer thickness	380 ±25	µm

LCD controllers/drivers

PCF2119x

18 DEFINITIONS

Data sheet status	
Objective specification	This data sheet contains target or goal specifications for product development.
Preliminary specification	This data sheet contains preliminary data; supplementary data may be published later.
Product specification	This data sheet contains final product specifications.
Limiting values	
Limiting values given are in accordance with the Absolute Maximum Rating System (IEC 134). Stress above one or more of the limiting values may cause permanent damage to the device. These are stress ratings only and operation of the device at these or at any other conditions above those given in the Characteristics sections of the specification is not implied. Exposure to limiting values for extended periods may affect device reliability.	
Application information	
Where application information is given, it is advisory and does not form part of the specification.	

19 LIFE SUPPORT APPLICATIONS

These products are not designed for use in life support appliances, devices, or systems where malfunction of these products can reasonably be expected to result in personal injury. Philips customers using or selling these products for use in such applications do so at their own risk and agree to fully indemnify Philips for any damages resulting from such improper use or sale.

20 PURCHASE OF PHILIPS I²C COMPONENTS

Purchase of Philips I²C components conveys a license under the Philips' I²C patent to use the components in the I²C system provided the system conforms to the I²C specification defined by Philips. This specification can be ordered using the code 9398 393 40011.

LCD controllers/drivers

PCF2119x

NOTES

Philips Semiconductors – a worldwide company

Argentina: see South America

Australia: 34 Waterloo Road, NORTH RYDE, NSW 2113, Tel. +61 2 9805 4455, Fax. +61 2 9805 4466

Austria: Computerstr. 6, A-1101 WIEN, P.O. Box 213, Tel. +43 1 60 101 1248, Fax. +43 1 60 101 1210

Belarus: Hotel Minsk Business Center, Bld. 3, r. 1211, Volodarski Str. 6, 220050 MINSK, Tel. +375 172 20 0733, Fax. +375 172 20 0773

Belgium: see The Netherlands

Brazil: see South America

Bulgaria: Philips Bulgaria Ltd., Energoproject, 15th floor, 51 James Bourchier Blvd., 1407 SOFIA, Tel. +359 2 68 9211, Fax. +359 2 68 9102

Canada: PHILIPS SEMICONDUCTORS/COMPONENTS, Tel. +1 800 234 7381, Fax. +1 800 943 0087

China/Hong Kong: 501 Hong Kong Industrial Technology Centre, 72 Tat Chee Avenue, Kowloon Tong, HONG KONG, Tel. +852 2319 7888, Fax. +852 2319 7700

Colombia: see South America

Czech Republic: see Austria

Denmark: Sydhavnsgade 23, 1780 COPENHAGEN V, Tel. +45 33 29 3333, Fax. +45 33 29 3905

Finland: Sinikalliontie 3, FIN-02630 ESPOO, Tel. +358 9 615 800, Fax. +358 9 6158 0920

France: 51 Rue Carnot, BP317, 92156 SURESNES Cedex, Tel. +33 1 4099 6161, Fax. +33 1 4099 6427

Germany: Hammerbrookstraße 69, D-20097 HAMBURG, Tel. +49 40 2353 60, Fax. +49 40 2353 6300

Greece: No. 15, 25th March Street, GR 17778 TAVROS/ATHENS, Tel. +30 1 489 4339/4239, Fax. +30 1 481 4240

Hungary: see Austria

India: Philips INDIA Ltd, Band Box Building, 2nd floor, 254-D, Dr. Annie Besant Road, Worli, MUMBAI 400 025, Tel. +91 22 493 8541, Fax. +91 22 493 0966

Indonesia: PT Philips Development Corporation, Semiconductors Division, Gedung Philips, Jl. Buncit Raya Kav.99-100, JAKARTA 12510, Tel. +62 21 794 0040 ext. 2501, Fax. +62 21 794 0080

Ireland: Newstead, Clonskeagh, DUBLIN 14, Tel. +353 1 7640 000, Fax. +353 1 7640 200

Israel: RAPAC Electronics, 7 Kehilat Saloniki St, PO Box 18053, TEL AVIV 61180, Tel. +972 3 645 0444, Fax. +972 3 649 1007

Italy: PHILIPS SEMICONDUCTORS, Piazza IV Novembre 3, 20124 MILANO, Tel. +39 2 6752 2531, Fax. +39 2 6752 2557

Japan: Philips Bldg 13-37, Kohnan 2-chome, Minato-ku, TOKYO 108-8507, Tel. +81 3 3740 5130, Fax. +81 3 3740 5077

Korea: Philips House, 260-199 Itaewon-dong, Yongsan-ku, SEOUL, Tel. +82 2 709 1412, Fax. +82 2 709 1415

Malaysia: No. 76 Jalan Universiti, 46200 PETALING JAYA, SELANGOR, Tel. +60 3 750 5214, Fax. +60 3 757 4880

Mexico: 5900 Gateway East, Suite 200, EL PASO, TEXAS 79905, Tel. +9-5 800 234 7381, Fax +9-5 800 943 0087

Middle East: see Italy

Netherlands: Postbus 90050, 5600 PB EINDHOVEN, Bldg. VB, Tel. +31 40 27 82785, Fax. +31 40 27 88399

New Zealand: 2 Wagener Place, C.P.O. Box 1041, AUCKLAND, Tel. +64 9 849 4160, Fax. +64 9 849 7811

Norway: Box 1, Manglerud 0612, OSLO, Tel. +47 22 74 8000, Fax. +47 22 74 8341

Pakistan: see Singapore

Philippines: Philips Semiconductors Philippines Inc., 106 Valero St. Salcedo Village, P.O. Box 2108 MCC, MAKATI, Metro MANILA, Tel. +63 2 816 6380, Fax. +63 2 817 3474

Poland: Ul. Lukiska 10, PL 04-123 WARSZAWA, Tel. +48 22 612 2831, Fax. +48 22 612 2327

Portugal: see Spain

Romania: see Italy

Russia: Philips Russia, Ul. Usatcheva 35A, 119048 MOSCOW, Tel. +7 095 755 6918, Fax. +7 095 755 6919

Singapore: Lorong 1, Toa Payoh, SINGAPORE 319762, Tel. +65 350 2538, Fax. +65 251 6500

Slovakia: see Austria

Slovenia: see Italy

South Africa: S.A. PHILIPS Pty Ltd., 195-215 Main Road Martindale, 2092 JOHANNESBURG, P.O. Box 7430 Johannesburg 2000, Tel. +27 11 470 5911, Fax. +27 11 470 5494

South America: Al. Vicente Pinzon, 173, 6th floor, 04547-130 SÃO PAULO, SP, Brazil, Tel. +55 11 821 2333, Fax. +55 11 821 2382

Spain: Balmes 22, 08007 BARCELONA, Tel. +34 93 301 6312, Fax. +34 93 301 4107

Sweden: Kottbygatan 7, Akalla, S-16485 STOCKHOLM, Tel. +46 8 5985 2000, Fax. +46 8 5985 2745

Switzerland: Allmendstrasse 140, CH-8027 ZÜRICH, Tel. +41 1 488 2741 Fax. +41 1 488 3263

Taiwan: Philips Semiconductors, 6F, No. 96, Chien Kuo N. Rd., Sec. 1, TAIPEI, Taiwan Tel. +886 2 2134 2886, Fax. +886 2 2134 2874

Thailand: PHILIPS ELECTRONICS (THAILAND) Ltd., 209/2 Sanpavuth-Bangna Road Prakanong, BANGKOK 10260, Tel. +66 2 745 4090, Fax. +66 2 398 0793

Turkey: Talatpasa Cad. No. 5, 80640 GÜLTEPE/ISTANBUL, Tel. +90 212 279 2770, Fax. +90 212 282 6707

Ukraine: PHILIPS UKRAINE, 4 Patrice Lumumba str., Building B, Floor 7, 252042 KIEV, Tel. +380 44 264 2776, Fax. +380 44 268 0461

United Kingdom: Philips Semiconductors Ltd., 276 Bath Road, Hayes, MIDDLESEX UB3 5BX, Tel. +44 181 730 5000, Fax. +44 181 754 8421

United States: 811 East Arques Avenue, SUNNYVALE, CA 94088-3409, Tel. +1 800 234 7381, Fax. +1 800 943 0087

Uruguay: see South America

Vietnam: see Singapore

Yugoslavia: PHILIPS, Trg N. Pasica 5/v, 11000 BEOGRAD, Tel. +381 11 62 5344, Fax. +381 11 63 5777

For all other countries apply to: Philips Semiconductors, International Marketing & Sales Communications, Building BE-p, P.O. Box 218, 5600 MD EINDHOVEN, The Netherlands, Fax. +31 40 27 24825

Internet: <http://www.semiconductors.philips.com>

© Philips Electronics N.V. 1999

SCA62

All rights are reserved. Reproduction in whole or in part is prohibited without the prior written consent of the copyright owner.

The information presented in this document does not form part of any quotation or contract, is believed to be accurate and reliable and may be changed without notice. No liability will be accepted by the publisher for any consequence of its use. Publication thereof does not convey nor imply any license under patent- or other industrial or intellectual property rights.

Printed in The Netherlands

465006/00/02/pp60

Date of release: 1999 Mar 02

Document order number: 9397 750 04653

Let's make things better.

**Philips
Semiconductors**



PHILIPS