



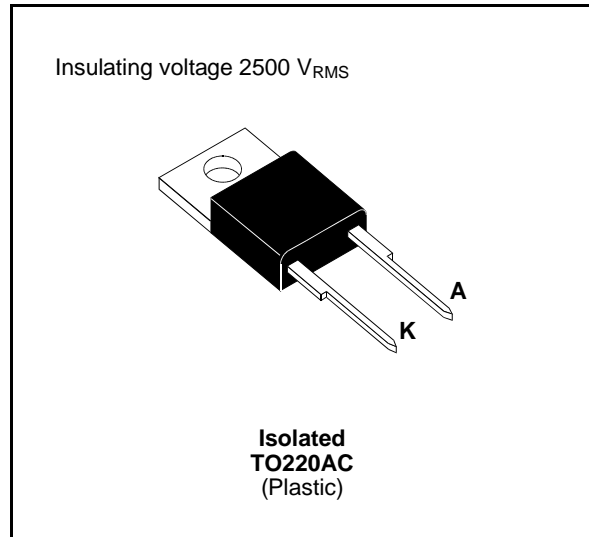
# BYT 08PI-400

## FAST RECOVERY RECTIFIER DIODES

- VERY LOW REVERSE RECOVERY TIME
- VERY LOW SWITCHING LOSSES
- LOW NOISE TURN-OFF SWITCHING
- INSULATED: capacitance 7pF

### SUITABLE APPLICATIONS

- FREE WHEELING DIODE IN CONVERTERS AND MOTOR CONTROL CIRCUITS
- RECTIFIER IN S.M.P.S.



### ABSOLUTE MAXIMUM RATINGS (limiting values)

Symbol	Parameter		Value	Unit
I <sub>FRM</sub>	Repetive Peak Forward Current	t <sub>p</sub> ≤ 10μs	130	A
I <sub>F (RMS)</sub>	RMS Forward Current		16	A
I <sub>F (AV)</sub>	Average Forward Current	T <sub>c</sub> = 105°C δ = 0.5	8	A
I <sub>FSM</sub>	Surge non Repetitive Forward Current	t <sub>p</sub> = 10ms Sinusoidal	100	A
P	Power Dissipation	T <sub>c</sub> = 80°C	20	W
T <sub>stg</sub> T <sub>j</sub>	Storage and Junction Temperature Range		- 40 to +150	°C

Symbol	Parameter	Value	Unit
V <sub>R RM</sub>	Repetitive Peak Reverse Voltage	400	V
V <sub>R SM</sub>	Non Repetitive Peak Reverse Voltage	440	V

### THERMAL RESISTANCE

Symbol	Parameter	Value	Unit
R <sub>th (j - c)</sub>	Junction-case	3.5	°C/W

**ELECTRICAL CHARACTERISTICS**

STATIC CHARACTERISTICS

Symbol	Test Conditions		Min.	Typ.	Max.	Unit
I <sub>R</sub>	T <sub>j</sub> = 25°C	V <sub>R</sub> = V <sub>RRM</sub>			15	μA
	T <sub>j</sub> = 100°C				2.5	mA
V <sub>F</sub>	T <sub>j</sub> = 25°C	I <sub>F</sub> = 8A			1.5	V
	T <sub>j</sub> = 100°C				1.4	

RECOVERY CHARACTERISTICS

Symbol	Test Conditions			Min.	Typ.	Max.	Unit
t <sub>rr</sub>	T <sub>j</sub> = 25°C	I <sub>F</sub> = 1A	di <sub>F</sub> /dt = - 15A/μs			75	ns
		I <sub>F</sub> = 0.5A	I <sub>R</sub> = 1A			I <sub>rr</sub> = 0.25A	

TURN-OFF SWITCHING CHARACTERISTICS (Without Series Inductance)

Symbol	Test Conditions		Min.	Typ.	Max.	Unit
t <sub>IRM</sub>	di <sub>F</sub> /dt = - 32A/μs	V <sub>CC</sub> = 200 V I <sub>F</sub> = 8A L <sub>p</sub> ≤ 0.05μH T <sub>j</sub> = 100°C See Figure 11			75	ns
	di <sub>F</sub> /dt = - 64A/μs			50		
I <sub>RM</sub>	di <sub>F</sub> /dt = - 32A/μs				2.2	A
	di <sub>F</sub> /dt = - 64A/μs			2.8		

TURN-OFF OVERVOLTAGE COEFFICIENT (With Series Inductance)

Symbol	Test Conditions			Min.	Typ.	Max.	Unit
$C = \frac{V_{RP}}{V_{CC}}$	T <sub>j</sub> = 100°C	V <sub>CC</sub> = 120V	I <sub>F</sub> = I <sub>F(AV)</sub> See note		3.3		
	di <sub>F</sub> /dt = - 8A/μs	L <sub>p</sub> = 9μH	See figure 12				

Note: Applicable to BYT 08 PI-400 only

To evaluate the conduction losses use the following equations:

$$V_F = 1.1 + 0.024I_F \quad P = 1.1 \times I_{F(AV)} + 0.024 I_{F(RMS)}^2$$

Figure 1. Low frequency power losses versus average current

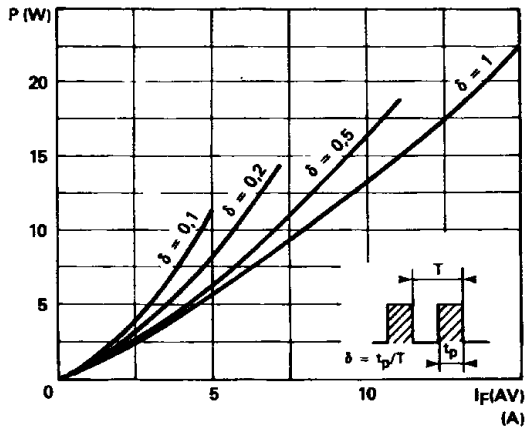


Figure 2. Peak current versus form factor

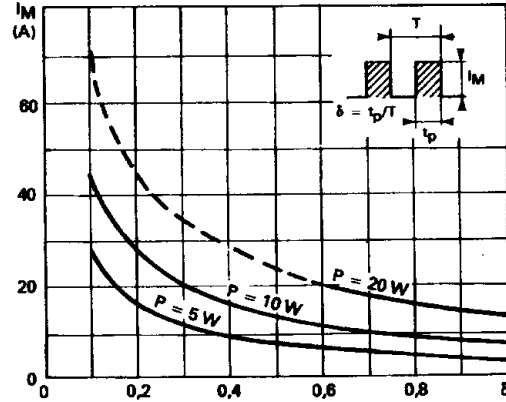


Figure 3. Non repetitive peak surge current versus overload duration

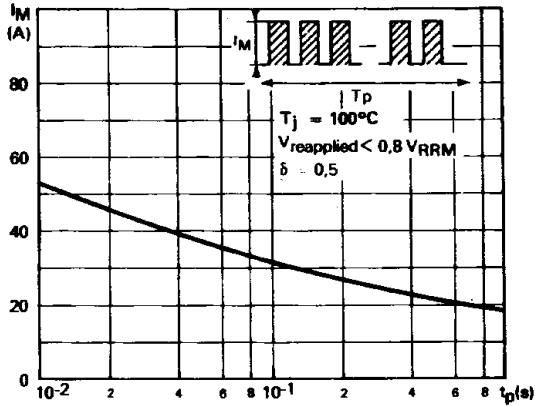


Figure 4. Thermal impedance versus pulse width

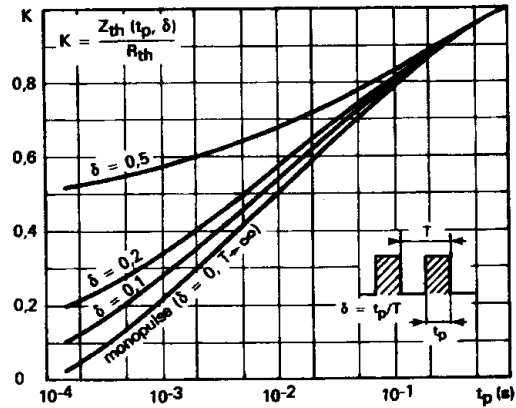


Figure 5. Voltage drop versus forward current

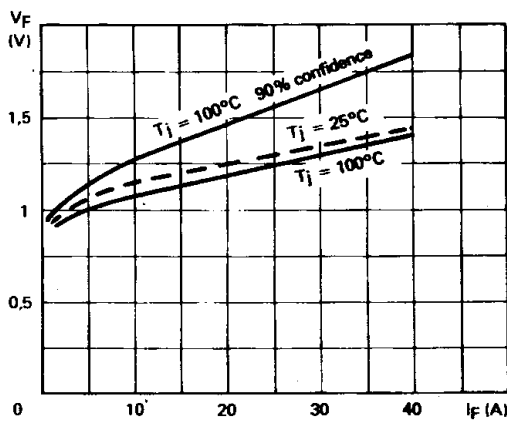


Figure 6. Recovery charge versus di\_F/dt

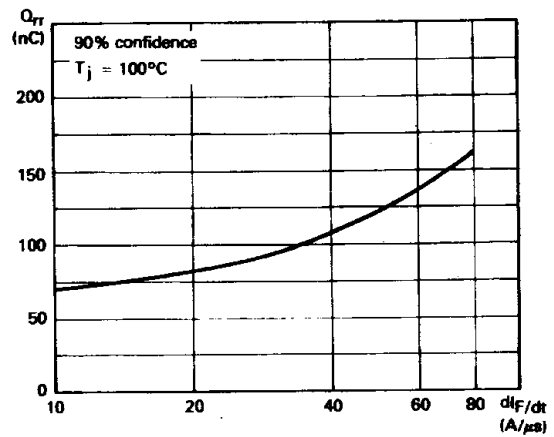


Figure 7. Recovery time versus di\_F/dt

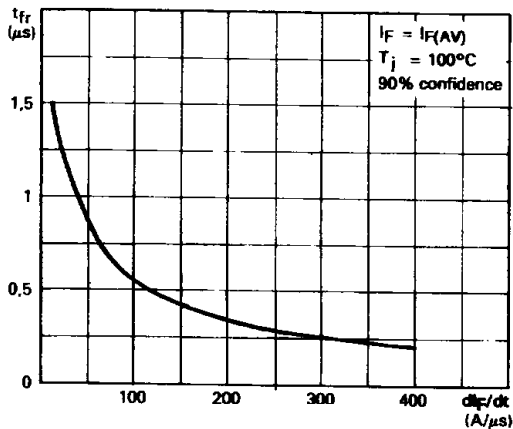


Figure 8. Peak reverse current versus di\_F/dt

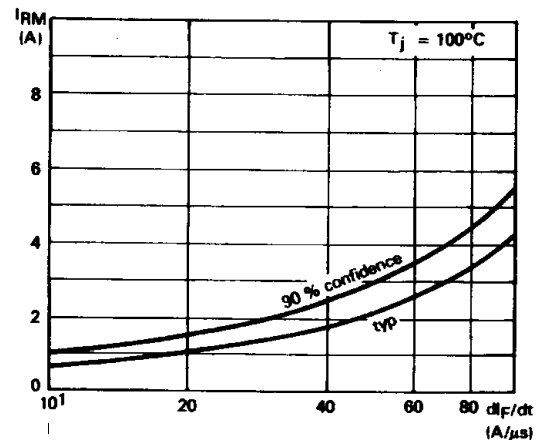


Figure 9. Peak forward voltage versus  $di_F/dt$ .

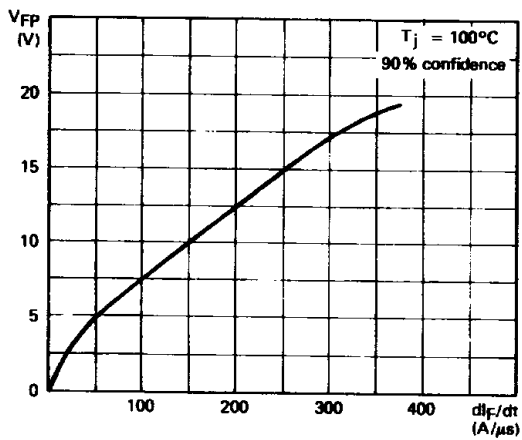


Figure 10. Dynamic parameters versus junction temperature.

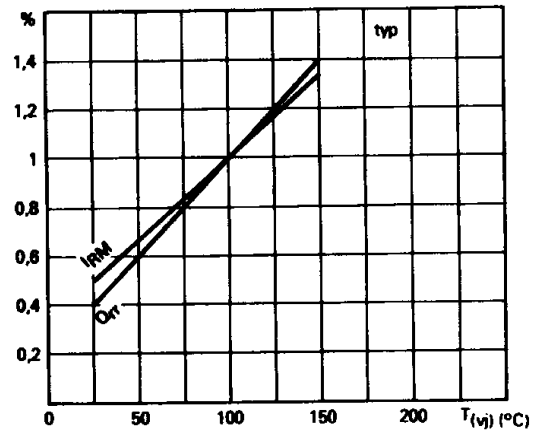


Figure 11. Turn-off switching characteristics (without series inductance).

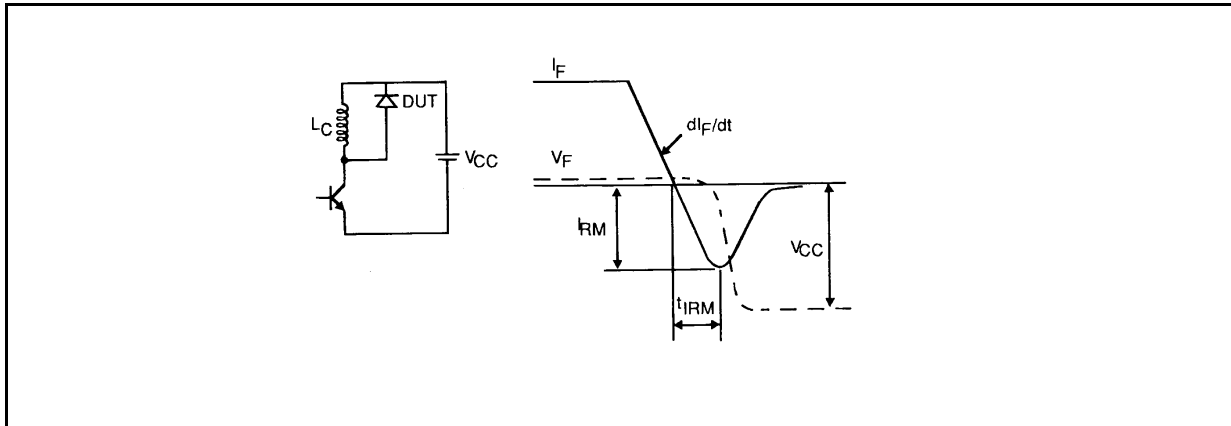
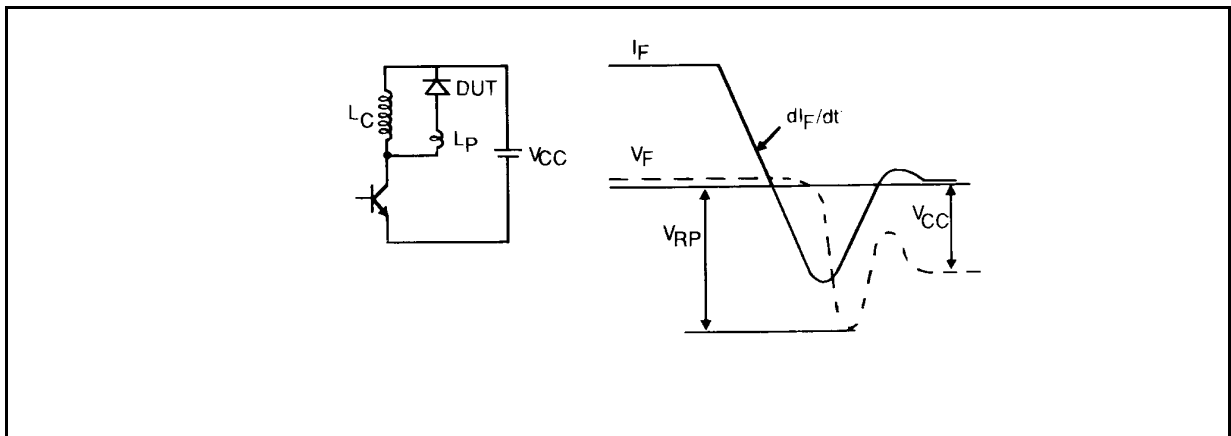
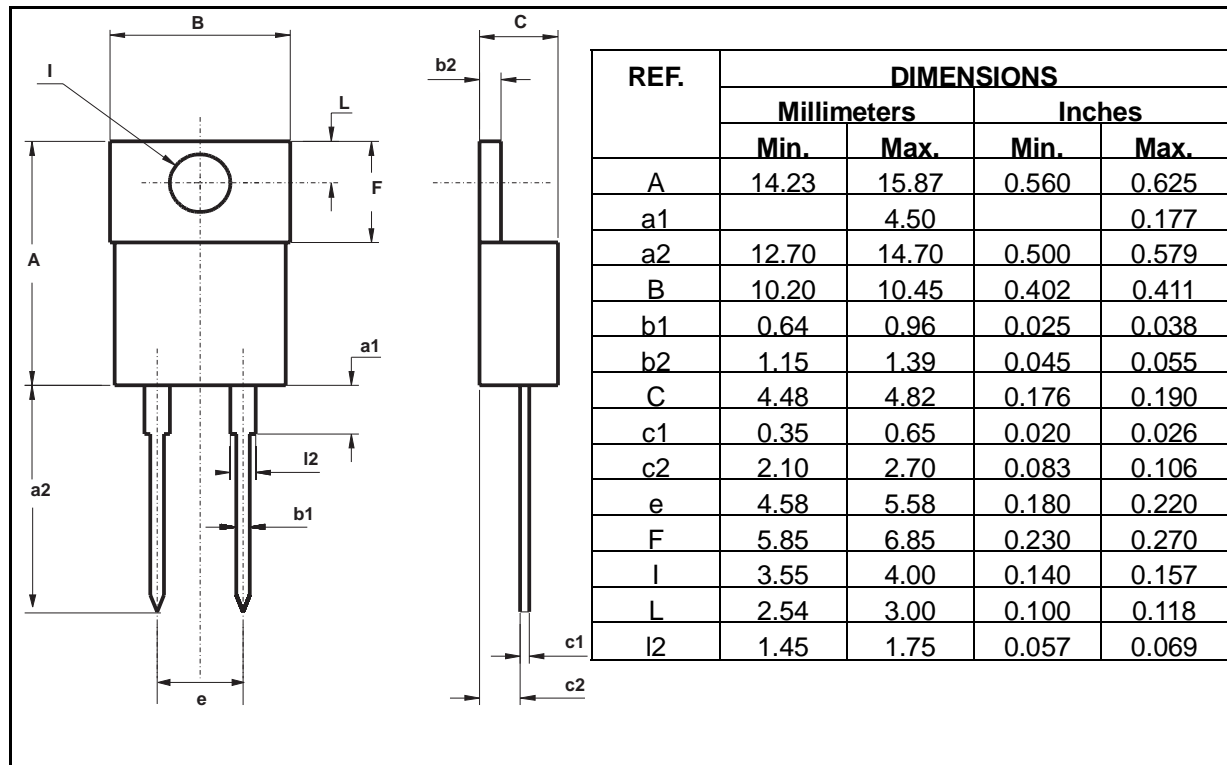


Figure 12. Turn-off switching characteristics (with series inductance).



**PACKAGE MECHANICAL DATA**  
Isolated TO220AC Plastic



- **Marking:** type number
- **Cooling method:** by conduction (method C)
- **Weight:** 1.86g
- **Recommended torque value:** 80cm. N
- **Maximum torque value:** 100cm. N

Information furnished is believed to be accurate and reliable. However, STMicroelectronics assumes no responsibility for the consequences of use of such information nor for any infringement of patents or other rights of third parties which may result from its use. No license is granted by implication or otherwise under any patent or patent rights of STMicroelectronics. Specifications mentioned in this publication are subject to change without notice. This publication supersedes and replaces all information previously supplied. STMicroelectronics products are not authorized for use as critical components in life support devices or systems without express written approval of STMicroelectronics.

The ST logo is a registered trademark of STMicroelectronics  
© 1998 STMicroelectronics - Printed in Italy - All rights reserved.

STMicroelectronics GROUP OF COMPANIES

Australia - Brazil - Canada - China - France - Germany - Italy - Japan - Korea - Malaysia - Malta - Mexico - Morocco - The Netherlands - Singapore - Spain - Sweden - Switzerland - Taiwan - Thailand - United Kingdom - U.S.A.

