

1W SINGLE AUDIO POWER AMPLIFIER

KIA6278P/S/F are suitable for the audio power amplifier of portable radio cassette.

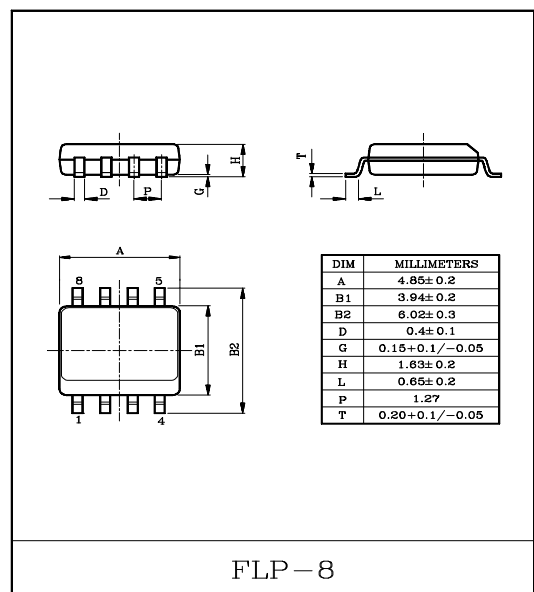
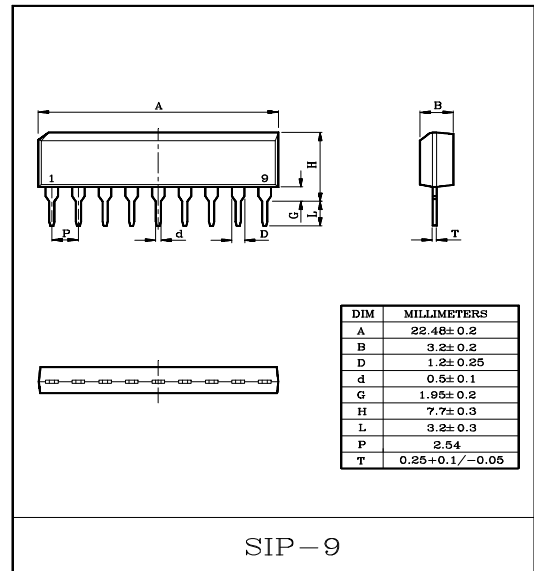
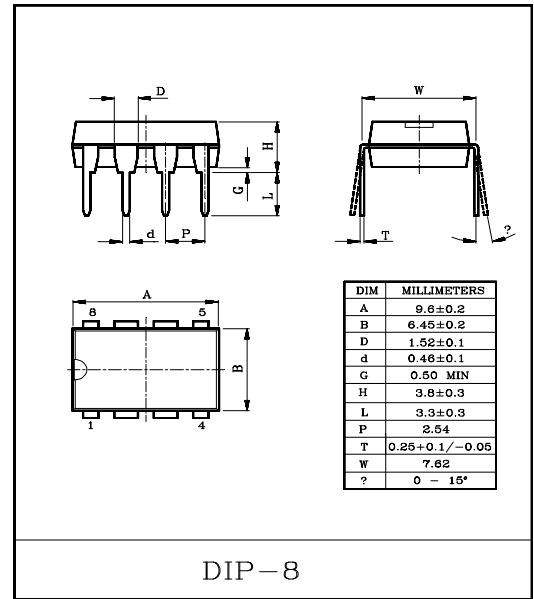
FEATURES

- Very few external parts counts (only three capacitor)
- Low Quiescent Current
: $I_{CCQ}=6.6\text{mA(Typ.)}$ ($V_{CC}=6\text{V}$)
- Wide operating supply voltage range.
: $V_{CC}=2\sim 10\text{V}$
- Output Power
: $P_{OUT}=720\text{mW(Typ.)}$ ($V_{CC}=6\text{V}$, $R_L=4\Omega$, THD=10%)
- Voltage Gain : $G_V=40\text{dB(Typ.)}$

MAXIMUM RATINGS ($T_a=25^\circ\text{C}$)

CHARACTERISTIC	SYMBOL	RATING	UNIT
Supply Voltage	V_{CC}	14	V
Power Dissipation (Peakage Limitation) (Note)	KIA6278P	900	mW
	KIA6278S	950	
	KIA6278F	400	
Operating Temperature	T_{opr}	$-25\sim 75$	$^\circ\text{C}$
Storage Temperature	T_{stg}	$-55\sim 150$	$^\circ\text{C}$

Note : Derated above $T_a=25^\circ\text{C}$ in the proportion of $7.2\text{mW}/^\circ\text{C}$.



KIA6278P/S/F

ELECTRICAL CHARACTERISTICS

(Unless otherwise specified, $V_{CC}=6V$, $f=1kHz$, $R_g=600\Omega$, $R_L=4\Omega$, $T_a=25^\circ C$)

CHARACTERISTIC	SYMBOL	TEST CIRCUIT	TEST CONDITION	MIN.	TYP.	MAX.	UNIT
Quiescent Current	I_{CCQ}	-	$V_{CC}=3V, V_{IN}=0V$	-	5.5	-	mA
			$V_{CC}=6V, V_{IN}=0V$	-	6.6	15	
			$V_{CC}=9V, V_{IN}=0V$	-	7.5	18	
Output Power	P_{OUT}	-	$V_{CC}=3V, R_L=4\Omega, THD=10\%$	-	120	-	mW
			$V_{CC}=6V, R_L=4\Omega, THD=10\%$	500	720	-	
			$V_{CC}=6V, R_L=8\Omega, THD=10\%$	300	450	-	
			$V_{CC}=9V, R_L=8\Omega, THD=10\%$	800	1100	-	
			$V_{CC}=9V, R_L=16\Omega, THD=10\%$	450	610	-	
Total Harmonic Distortion	THD	-	$P_{OUT}=100mW$	-	0.3	1.0	%
Voltage Gain	G_V	-	$V_{IN}=0.5mV_{rms}$	37	40	43	dB
Output Noise Voltage	V_{NO}	-	$R_g=10k\Omega, BW=20Hz\sim 20kHz$	-	0.2	0.5	mV_{rms}
Ripple Rejection Ratio	R.R.	-	$f_{RIP}=100Hz, V_{RIP}=0.3V_{rms}$ Without C_{RIP}	-	25	-	dB
Input Resistance	R_{IN}	-		-	27	-	$k\Omega$

TYPICAL VOLTAGE OF EACH TERMINAL (KIA6278S)

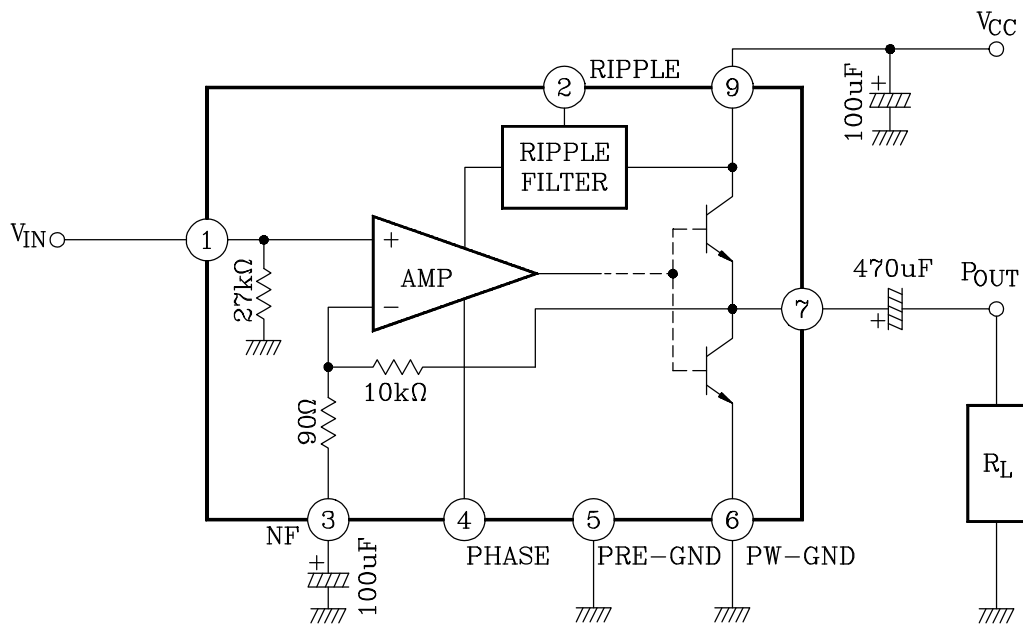
($V_{CC}=6V, T_a=25^\circ C$, by test circuit)

(unit:V)

TERMINAL NO.	1	2	3	4	5	6	7	8	9
DC Voltage	0	2.40	0.62	0.64	0	0	2.61	NC	6.0

KIA6278P/S/F

TEST CIRCUIT & BLOCK DIAGRAM



Note : The V_{CC} of KIA6278S is pin ⑨.
The V_{CC} of KIA6278P/F are pin ⑧.

KIA6278P/S/F

PRECAUTION FOR USE AND APPLICATION

1) Input Stage

The input stage of power amplifier (Equivalent circuit) is comprised of a PNP differential pair (Q2 and Q3) preceded by a PNP emitter follower (Q1) which allows DC referencing of the source signal to ground.

This eliminates the need for an input coupling capacitor. However, in case the brush noise of volume becomes a problem, provide serially a coupling capacitor to the input side.

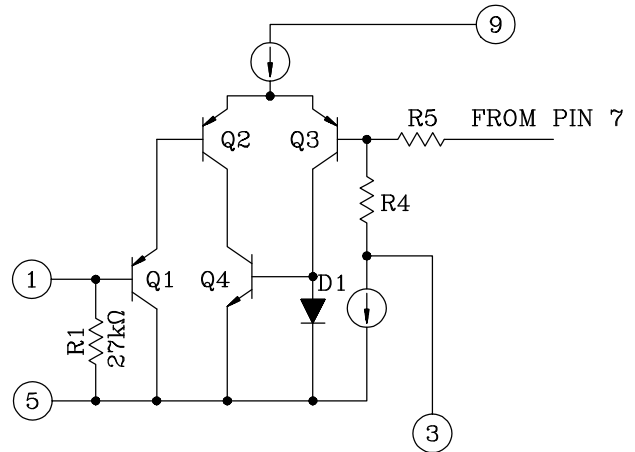


Fig. 1

2) Adjustment of Voltage Gain

The voltage gain is fixed at $G_V=40\text{dB}$ by the resistors (R4 and R5) in IC, however, its reduction is possible through adding R_f as shown in Fig 2. In this case, the voltage gain is obtained by the following Equation.

$$G_V = 20 \log \frac{R_5 + R_4 + R_f}{R_4 + R_f}$$

It is recommended to use this IC with the voltage gain of $G_V=28\text{dB}$ or over.

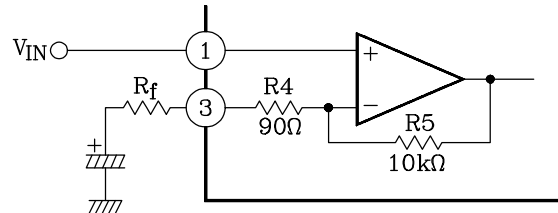


Fig. 2

3) Ripple Rejection Ratio

Adding C_{RIP} to terminal 2 as shown Fig 3, the Ripple Rejection ratio is improved from -25dB Typ. to -45dB Typ. (in case of $C_{RIP}=100\mu\text{F}$). Refer to R.R. vs. f characteristics.

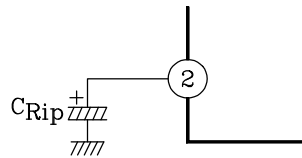


Fig. 3

KIA6278P/S/F

