

#### ● FEATURES

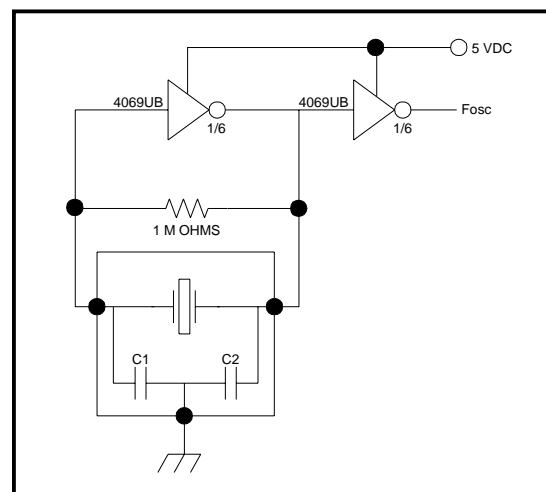
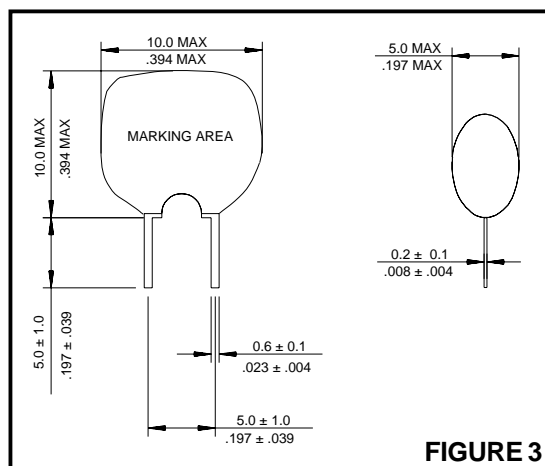
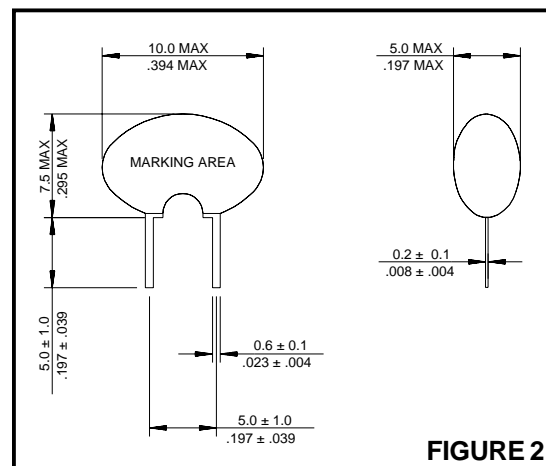
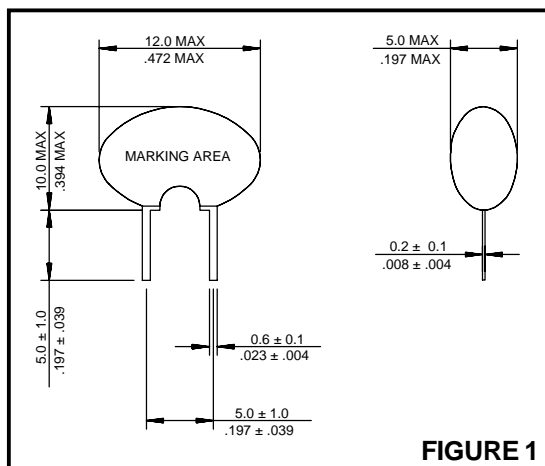
- SMALL AND LIGHT
- HIGH DURABILITY
- EXCELLENT TEMPERATURE STABILITY
- LOW COST

#### ● SPECIFICATIONS

FREQUENCY RANGE	2.00-2.44 MHz	2.45-6.00 MHz	4.00-12.00 MHz
DIMENSIONS	FIGURE 1	FIGURE 2	FIGURE 3
EXTERNAL CAPACITANCE	C1	30 pF	
	C2	30 pF	
FREQUENCY TOLERANCE AT 25° C	±0.5%		
RESONANT RESISTANCE	80 OHMS	50 OHMS (3.00-3.49MHz) 30 OHMS (3.5-6.00MHz)	30 OHMS
FREQUENCY STABILITY OVER TEMPERATURE	±0.3%		±0.5%
OPERATING TEMPERATURE RANGE	-20° C TO 80° C		
FREQUENCY AGING (10 YEARS)	±0.3%		±0.5%



#### ● OUTLINE DRAWINGS



#### ● PART NUMBERING SYSTEM

SERIES	-	FREQUENCY
POI		IN MHz