



# Low-Voltage, Quad, SPDT, CMOS Analog Switch

MAX394

## General Description

The MAX394 is a precision, low-voltage, quad, single-pole/double-throw (SPDT) analog switch. The four independent switches operate with bipolar supplies ranging from  $\pm 2.7V$  to  $\pm 8V$ , or with a single supply of  $+2.7V$  to  $+15V$ . The MAX394 offers low on-resistance (less than  $35\Omega$ ), guaranteed to match within  $2\Omega$  between channels and to remain flat over the analog signal range ( $\Delta 4\Omega$  max). It also offers break-before-make switching (10ns typical), with turn-off times less than 75ns and turn-on times less than 130ns. The MAX394 is ideal for portable operation since quiescent current runs less than  $1\mu A$  with all inputs high or low.

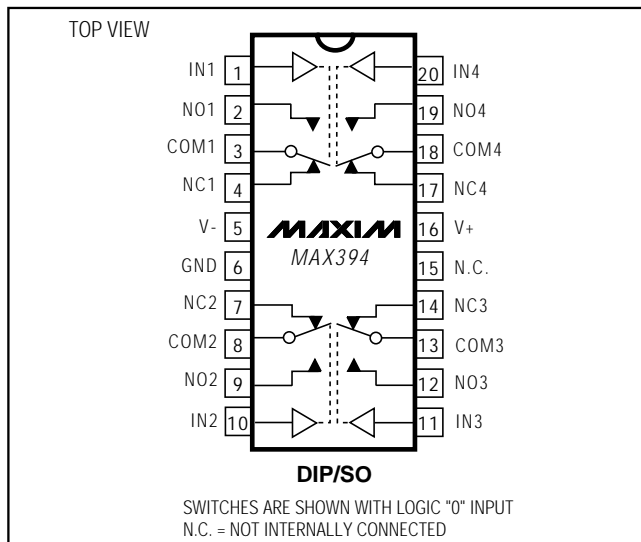
This monolithic, quad switch is fabricated with Maxim's low voltage silicon-gate process. Design improvements guarantee extremely low charge injection (10pC), low power consumption (10 $\mu W$ ), and electrostatic discharge (ESD) greater than 2000V.

Logic inputs are TTL and CMOS compatible and guaranteed over a  $+0.8V$  to  $+2.4V$  range for supply voltages up to  $+8V$ . When supplies exceed  $+8V$ , the inputs are typically  $+0.8V$  to  $+4V$ . Logic inputs and switched analog signals can range anywhere between the supply voltages without damage.

## Applications

|                        |                      |
|------------------------|----------------------|
| Test Equipment         | Portable Instruments |
| Communications Systems | Audio Signal Routing |
| PBX, PABX              | Set-Top Boxes        |
| Heads-Up Displays      |                      |

## Pin Configuration



## Features

- ◆ Low On-Resistance,  $< 17\Omega$  Typical ( $35\Omega$  max)
- ◆ Guaranteed Matched On-Resistance Between Channels,  $< 2\Omega$
- ◆ Guaranteed Flat On-Resistance over Analog Signal Range,  $\Delta 4\Omega$  Max
- ◆ Guaranteed Charge Injection  $< 10pC$
- ◆ Guaranteed Off-Channel Leakage  $< 2.5nA$  at  $+85^\circ C$
- ◆ ESD Guaranteed  $> 2000V$  per Method 3015.7
- ◆ Single-Supply Operation ( $+2.7V$  to  $+15V$ )  
Bipolar-Supply Operation ( $\pm 2.7V$  to  $\pm 8V$ )
- ◆ TTL/CMOS-Logic Compatibility
- ◆ Rail-to-Rail Analog Signal Handling Capability
- ◆ Pin Compatible with MAX333, MAX333A

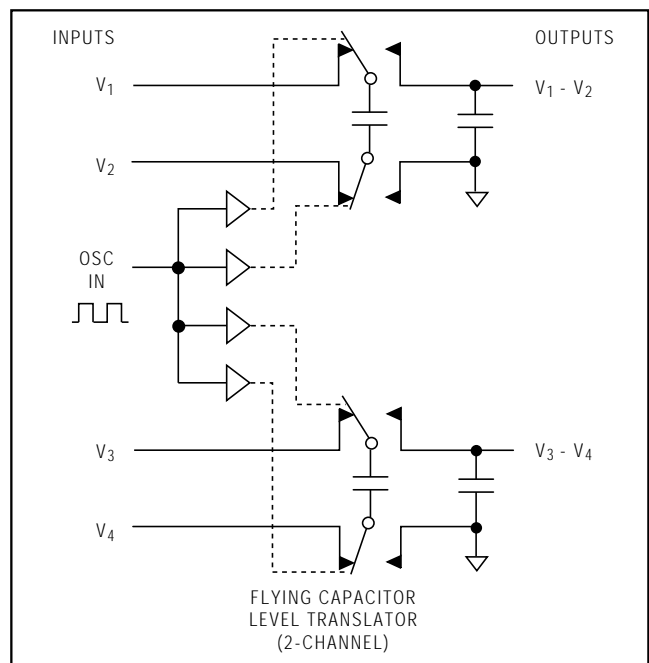
## Ordering Information

| PART      | TEMP. RANGE                     | PIN-PACKAGE    |
|-----------|---------------------------------|----------------|
| MAX394CPP | $0^\circ C$ to $+70^\circ C$    | 20 Plastic DIP |
| MAX394CWP | $0^\circ C$ to $+70^\circ C$    | 20 Wide SO     |
| MAX394C/D | $0^\circ C$ to $+70^\circ C$    | Dice*          |
| MAX394EPP | $-40^\circ C$ to $+85^\circ C$  | 20 Plastic DIP |
| MAX394EWP | $-40^\circ C$ to $+85^\circ C$  | 20 Wide SO     |
| MAX394MJP | $-55^\circ C$ to $+125^\circ C$ | 20 CERDIP**    |

\* Contact factory for dice specifications.

\*\* Contact factory for availability.

## Typical Operating Circuit



# Low-Voltage, Quad, SPDT, CMOS Analog Switch

## ABSOLUTE MAXIMUM RATINGS

Voltage Referenced to GND

|                                                                                 |                                                                                   |
|---------------------------------------------------------------------------------|-----------------------------------------------------------------------------------|
| V+                                                                              | -0.3V to +17V                                                                     |
| V-                                                                              | +0.3V to -17V                                                                     |
| V+ to V-                                                                        | -0.3V to +17V                                                                     |
| COM <sub>-</sub> , NO <sub>-</sub> , NC <sub>-</sub> , IN <sub>-</sub> (Note 1) | (V <sub>-</sub> - 2V) to (V <sub>+</sub> + 2V)<br>or 30mA, whichever occurs first |
| Continuous Current, Any Pin                                                     | 30mA                                                                              |
| Peak Current, Any Pin<br>(pulsed at 1ms, 10% duty cycle max)                    | 100mA                                                                             |

Continuous Power Dissipation (T<sub>A</sub> = +70°C)

|                                             |                 |
|---------------------------------------------|-----------------|
| Plastic DIP (derate 10.53mW/°C above +70°C) | 842mW           |
| Narrow SO (derate 8.70mW/°C above +70°C)    | 696mW           |
| CERDIP (derate 10.00mW/°C above +70°C)      | 800mW           |
| Operating Temperature Ranges                |                 |
| MAX394C_P                                   | 0°C to +70°C    |
| MAX394E_P                                   | -40°C to +85°C  |
| MAX394MJP                                   | -55°C to +125°C |
| Storage Temperature Range                   | -65°C to +150°C |
| Lead Temperature (soldering, 10sec)         | +300°C          |

**Note 1:** Signals on NC, NO, COM, or IN exceeding V<sub>+</sub> or V<sub>-</sub> are clamped by internal diodes. Limit forward diode current to maximum current rating.

Stresses beyond those listed under "Absolute Maximum Ratings" may cause permanent damage to the device. These are stress ratings only, and functional operation of the device at these or any other conditions beyond those indicated in the operational sections of the specifications is not implied. Exposure to absolute maximum rating conditions for extended periods may affect device reliability.

## ELECTRICAL CHARACTERISTICS—Dual Supplies

(V<sub>+</sub> = 5V ±10%, V<sub>-</sub> = -5V ±10%, GND = 0V, V<sub>INH</sub> = 2.4V, V<sub>INL</sub> = 0.8V, T<sub>A</sub> = T<sub>MIN</sub> to T<sub>MAX</sub>, unless otherwise noted.)

| PARAMETER                                     | SYMBOL                                                     | CONDITIONS                                                                                                                                                                       | TEMP. RANGE                                           | MIN     | TYP (Note 2) | MAX   | UNITS |    |
|-----------------------------------------------|------------------------------------------------------------|----------------------------------------------------------------------------------------------------------------------------------------------------------------------------------|-------------------------------------------------------|---------|--------------|-------|-------|----|
| <b>SWITCH</b>                                 |                                                            |                                                                                                                                                                                  |                                                       |         |              |       |       |    |
| Analog Signal Range                           | V <sub>COM</sub> ,<br>V <sub>NO</sub> ,<br>V <sub>NC</sub> | (Note 3)                                                                                                                                                                         |                                                       | V-      |              | V+    | V     |    |
| On-Resistance                                 | R <sub>ON</sub>                                            | V <sub>+</sub> = 4.5V, V <sub>-</sub> = -4.5V,<br>V <sub>NC</sub> or V <sub>NO</sub> = ±3.5V,<br>I <sub>COM</sub> = 10mA,<br>V <sub>INH</sub> = 2.4V,<br>V <sub>INL</sub> = 0.8V | T <sub>A</sub> = +25°C                                | C, E    | 20           | 35    | Ω     |    |
|                                               |                                                            |                                                                                                                                                                                  | T <sub>A</sub> = T <sub>MIN</sub> to T <sub>MAX</sub> | M       | 20           | 30    |       |    |
| On-Resistance Match Between Channels (Note 4) | ΔR <sub>ON</sub>                                           | V <sub>NC</sub> or V <sub>NO</sub> = ±3V,<br>I <sub>COM</sub> = 10mA,<br>V <sub>+</sub> = 5V, V <sub>-</sub> = -5V                                                               | T <sub>A</sub> = +25°C                                | C, E, M | 0.5          | 2     | Ω     |    |
|                                               |                                                            |                                                                                                                                                                                  | T <sub>A</sub> = T <sub>MIN</sub> to T <sub>MAX</sub> | C, E, M |              | 4     |       |    |
| On-Resistance Flatness (Note 4)               | R <sub>FLAT(ON)</sub>                                      | V <sub>NC</sub> or V <sub>NO</sub> = 3V, 0V,<br>-3V; I <sub>COM</sub> = 10mA,<br>V <sub>+</sub> = 5V; V <sub>-</sub> = -5V                                                       | T <sub>A</sub> = +25°C                                | C, E, M |              | 4     | Ω     |    |
|                                               |                                                            |                                                                                                                                                                                  | T <sub>A</sub> = T <sub>MIN</sub> to T <sub>MAX</sub> | C, E, M |              | 6     |       |    |
| NC or NO Off Leakage Current (Note 5)         | I <sub>NC(OFF)</sub><br>or<br>I <sub>NO(OFF)</sub>         | V <sub>COM</sub> = ±4.5V,<br>V <sub>NC</sub> or V <sub>NO</sub> = ±4.5V,<br>V <sub>+</sub> = 5.5V, V <sub>-</sub> = -5.5V                                                        | T <sub>A</sub> = +25°C                                | C, E    | -0.2         | -0.01 | 0.2   | nA |
|                                               |                                                            |                                                                                                                                                                                  | T <sub>A</sub> = +25°C                                | M       | -0.1         | -0.01 | 0.1   |    |
|                                               |                                                            |                                                                                                                                                                                  | T <sub>A</sub> = T <sub>MIN</sub> to T <sub>MAX</sub> | C, E    | -2.5         |       | 2.5   |    |
| COM Leakage Current (Note 5)                  | I <sub>COM(ON)</sub>                                       | V <sub>COM</sub> = ±4.5V,<br>V <sub>NC</sub> or V <sub>NO</sub> = ±4.5V,<br>V <sub>+</sub> = 5.5V, V <sub>-</sub> = -5.5V                                                        | T <sub>A</sub> = +25°C                                | C, E    | -0.4         | -0.04 | 0.4   | nA |
|                                               |                                                            |                                                                                                                                                                                  | T <sub>A</sub> = +25°C                                | M       | -0.2         | -0.04 | 0.2   |    |
|                                               |                                                            |                                                                                                                                                                                  | T <sub>A</sub> = T <sub>MIN</sub> to T <sub>MAX</sub> | C, E    | -5.0         |       | 5.0   |    |
|                                               |                                                            |                                                                                                                                                                                  |                                                       | M       | -20          |       | 20    |    |

# Low-Voltage, Quad, SPDT, CMOS Analog Switch

MAX394

## ELECTRICAL CHARACTERISTICS—Dual Supplies (continued)

(V+ = 5V ±10%, V- = -5V ±10%, GND = 0V, VINH = 2.4V, VINL = 0.8V, TA = TMIN to TMAX, unless otherwise noted.)

| PARAMETER                             | SYMBOL                | CONDITIONS                                                                                                    |                                                       | MIN  | TYP<br>(Note 2) | MAX | UNITS |
|---------------------------------------|-----------------------|---------------------------------------------------------------------------------------------------------------|-------------------------------------------------------|------|-----------------|-----|-------|
| <b>DIGITAL LOGIC INPUT</b>            |                       |                                                                                                               |                                                       |      |                 |     |       |
| Input Current with Input Voltage High | I <sub>INH</sub>      | V <sub>IN</sub> = 2.4V, all others = 0.8V                                                                     |                                                       | -1.0 | 0.005           | 1.0 | μA    |
| Input Current with Input Voltage Low  | I <sub>INL</sub>      | V <sub>IN</sub> = 0.8V, all others = 2.4V                                                                     |                                                       | -1.0 | 0.005           | 1.0 | μA    |
| Logic High Input Voltage              | V <sub>A_H</sub>      |                                                                                                               | T <sub>A</sub> = T <sub>MIN</sub> to T <sub>MAX</sub> | 2.4  |                 |     | V     |
| Logic Low Input Voltage               | V <sub>A_L</sub>      |                                                                                                               | T <sub>A</sub> = T <sub>MIN</sub> to T <sub>MAX</sub> |      |                 | 0.8 | V     |
| <b>DYNAMIC</b>                        |                       |                                                                                                               |                                                       |      |                 |     |       |
| Turn-On Time                          | t <sub>ON</sub>       | V <sub>COM</sub> = 3V, Figure 2                                                                               | T <sub>A</sub> = +25°C                                | 82   | 130             |     | ns    |
|                                       |                       |                                                                                                               | T <sub>A</sub> = T <sub>MIN</sub> to T <sub>MAX</sub> |      | 175             |     |       |
| Turn-Off Time                         | t <sub>OFF</sub>      | V <sub>COM</sub> = 3V, Figure 2                                                                               | T <sub>A</sub> = +25°C                                | 57   | 75              |     | ns    |
|                                       |                       |                                                                                                               | T <sub>A</sub> = T <sub>MIN</sub> to T <sub>MAX</sub> |      | 100             |     |       |
| Break-Before-Make Time Delay (Note 3) | t <sub>D</sub>        | Figure 5                                                                                                      | T <sub>A</sub> = +25°C                                | 2    | 10              |     | ns    |
| Charge Injection (Note 3)             | V <sub>CTE</sub>      | C <sub>L</sub> = 1.0nF, V <sub>GEN</sub> = 0V, R <sub>GEN</sub> = 0Ω, Figure 6                                | T <sub>A</sub> = +25°C                                |      | 5               | 10  | pC    |
| Off Isolation (Note 6)                | V <sub>ISO</sub>      | R <sub>L</sub> = 50Ω, C <sub>L</sub> = 5pF, f = 1MHz, Figure 3                                                | T <sub>A</sub> = +25°C                                |      | 66              |     | dBm   |
| Crosstalk (Note 7)                    | V <sub>CT</sub>       | R <sub>L</sub> = 50Ω, C <sub>L</sub> = 5pF, f = 1MHz, Figure 8                                                | T <sub>A</sub> = +25°C                                |      | 88              |     | dBm   |
| Off Capacitance                       | C <sub>OFF</sub>      | f = 1MHz, Figure 3                                                                                            | T <sub>A</sub> = +25°C                                |      | 12              |     | pF    |
| COM Off Capacitance                   | C <sub>COM(OFF)</sub> | f = 1MHz, Figure 3                                                                                            | T <sub>A</sub> = +25°C                                |      | 12              |     | pF    |
| Channel On Capacitance                | C <sub>COM(ON)</sub>  | f = 1MHz, Figure 4                                                                                            | T <sub>A</sub> = +25°C                                |      | 39              |     | pF    |
| <b>SUPPLY</b>                         |                       |                                                                                                               |                                                       |      |                 |     |       |
| Power-Supply Range                    |                       |                                                                                                               |                                                       | ±2.4 |                 | ±8  | V     |
| Positive Supply Current               | I <sub>+</sub>        | All channels on or off, V <sub>+</sub> = 5.5V, V <sub>-</sub> = -5.5V, V <sub>IN</sub> = 0V or V <sub>+</sub> |                                                       | -1.0 | 0.06            | 1.0 | μA    |
| Negative Supply Current               | I <sub>-</sub>        | All channels on or off, V <sub>+</sub> = 5.5V, V <sub>-</sub> = -5.5V, V <sub>IN</sub> = 0V or V <sub>+</sub> |                                                       | -1.0 | -0.01           | 1.0 | μA    |

# Low-Voltage, Quad, SPDT, CMOS Analog Switch

## ELECTRICAL CHARACTERISTICS—Single +5V Supply

(V+ = 5V ±10%, V- = 0V, GND = 0V, VINH = 2.4V, VINL = 0.8V, TA = TMIN to TMAX, unless otherwise noted.)

| PARAMETER                                        | SYMBOL                                                     | CONDITIONS                                                                                                                                            | TEMP. RANGE                                              | MIN     | TYP (Note 2) | MAX   | UNITS |    |
|--------------------------------------------------|------------------------------------------------------------|-------------------------------------------------------------------------------------------------------------------------------------------------------|----------------------------------------------------------|---------|--------------|-------|-------|----|
| <b>SWITCH</b>                                    |                                                            |                                                                                                                                                       |                                                          |         |              |       |       |    |
| Analog Signal Range                              | V <sub>COM</sub> ,<br>V <sub>NO</sub> ,<br>V <sub>NC</sub> | (Note 3)                                                                                                                                              |                                                          | 0V      |              | V+    | V     |    |
| On-Resistance                                    | R <sub>ON</sub>                                            | V+ = 5.0V, V- = 0V,<br>V <sub>NC</sub> or V <sub>NO</sub> = 3.5V,<br>I <sub>COM</sub> = 1.0mA,<br>V <sub>INH</sub> = 2.4V,<br>V <sub>INL</sub> = 0.8V | T <sub>A</sub> = +25°C                                   | C, E    | 25           | 65    | Ω     |    |
|                                                  |                                                            |                                                                                                                                                       | T <sub>A</sub> = T <sub>MIN</sub><br>to T <sub>MAX</sub> | M       |              | 60    |       |    |
| On-Resistance Match<br>Between Channels (Note 4) | ΔR <sub>ON</sub>                                           | V <sub>NC</sub> or V <sub>NO</sub> = 3V,<br>I <sub>COM</sub> = 1.0mA,<br>V+ = 5V                                                                      | T <sub>A</sub> = +25°C                                   | C, E, M | 0.5          | 2     | Ω     |    |
|                                                  |                                                            |                                                                                                                                                       | T <sub>A</sub> = T <sub>MIN</sub><br>to T <sub>MAX</sub> | C, E, M |              | 4     |       |    |
| On-Resistance Flatness<br>(Note 4)               | R <sub>FLAT(ON)</sub>                                      | V <sub>NC</sub> or V <sub>NO</sub> = 3V, 2V,<br>1V; I <sub>COM</sub> = 1.0mA;<br>V+ = 5V; V- = 0V                                                     | T <sub>A</sub> = +25°C                                   | C, E, M |              | 6     | Ω     |    |
|                                                  |                                                            |                                                                                                                                                       | T <sub>A</sub> = T <sub>MIN</sub><br>to T <sub>MAX</sub> | C, E, M |              | 8     |       |    |
| NC or NO Off Leakage<br>Current (Note 8)         | I <sub>NC(OFF)</sub><br>or<br>I <sub>NO(OFF)</sub>         | V <sub>COM</sub> = 0V,<br>V <sub>NC</sub> or V <sub>NO</sub> = 4.5V,<br>V+ = 5.5V, V- = 0V                                                            | T <sub>A</sub> = +25°C                                   | C, E    | -0.2         | -0.01 | 0.2   | nA |
|                                                  |                                                            |                                                                                                                                                       |                                                          | M       | -0.1         | -0.01 | 0.1   |    |
|                                                  |                                                            |                                                                                                                                                       | T <sub>A</sub> = T <sub>MIN</sub><br>to T <sub>MAX</sub> | C, E    | -2.5         |       | 2.5   |    |
|                                                  |                                                            |                                                                                                                                                       |                                                          | M       | -20          |       | 20    |    |
| COM Leakage Current<br>(Note 8)                  | I <sub>COM(ON)</sub>                                       | V <sub>COM</sub> = 4.5V,<br>V <sub>NC</sub> or V <sub>NO</sub> = 4.5V,<br>V+ = 5.5V, V- = 0V                                                          | T <sub>A</sub> = +25°C                                   | C, E    | -0.4         | -0.04 | 0.4   | nA |
|                                                  |                                                            |                                                                                                                                                       |                                                          | M       | -0.2         | -0.04 | 0.2   |    |
|                                                  |                                                            |                                                                                                                                                       | T <sub>A</sub> = T <sub>MIN</sub><br>to T <sub>MAX</sub> | C, E    | -5.0         |       | 5.0   |    |
|                                                  |                                                            |                                                                                                                                                       |                                                          | M       | -20          |       | 20    |    |
| <b>DIGITAL LOGIC INPUT</b>                       |                                                            |                                                                                                                                                       |                                                          |         |              |       |       |    |
| Input Current with Input<br>Voltage High         | I <sub>INH</sub>                                           | V <sub>IN</sub> = 2.4V, all others = 0.8V                                                                                                             |                                                          | -1.0    | 0.005        | 1.0   | μA    |    |
| Input Current with Input<br>Voltage Low          | I <sub>INL</sub>                                           | V <sub>IN</sub> = 0.8V, all others = 2.4V                                                                                                             |                                                          | -1.0    | 0.005        | 1.0   | μA    |    |

# Low-Voltage, Quad, SPDT, CMOS Analog Switch

MAX394

## ELECTRICAL CHARACTERISTICS—Single +5V Supply (continued)

(V+ = +5V ±10%, V- = 0V, GND = 0V, VINH = 2.4V, VINL = 0.8V, TA = TMIN to TMAX, unless otherwise noted.)

| PARAMETER                             | SYMBOL | CONDITIONS                                                 | MIN               | TYP<br>(Note 2) | MAX | UNITS |
|---------------------------------------|--------|------------------------------------------------------------|-------------------|-----------------|-----|-------|
| <b>DYNAMIC</b>                        |        |                                                            |                   |                 |     |       |
| Turn-On Time (Note 3)                 | tON    | VCOM = 3V, Figure 2                                        | TA = +25°C        | 160             | 250 | ns    |
|                                       |        |                                                            | TA = TMIN to TMAX |                 | 300 |       |
| Turn-Off Time (Note 3)                | tOFF   | VCOM = 3V, Figure 2                                        | TA = +25°C        | 60              | 125 | ns    |
|                                       |        |                                                            | TA = TMIN to TMAX |                 | 175 |       |
| Break-Before-Make Time Delay (Note 3) | tD     |                                                            | TA = +25°C        | 5               | 20  | ns    |
| Charge Injection (Note 3)             | VCTE   | CL = 1.0nF, VGEN = 0V, RGEN = 0Ω                           | TA = +25°C        | 3               | 5   | pC    |
| <b>SUPPLY</b>                         |        |                                                            |                   |                 |     |       |
| Power-Supply Range                    | V+     |                                                            | 2.4               |                 | 16  | V     |
| Positive Supply Current               | I+     | All channels on or off, VIN = 0V or V+, V+ = 5.5V, V- = 0V | -1.0              | 0.01            | 1.0 | μA    |
| Negative Supply Current               | I-     | All channels on or off, VIN = 0V or V+, V+ = 5.5V, V- = 0V | -1.0              | -0.01           | 1.0 | μA    |

## ELECTRICAL CHARACTERISTICS—Single +3.3V Supply

(V+ = 3.0V to 3.6V, GND = 0V, VINH = 2.4V, VINL = 0.8V, TA = TMIN to TMAX, unless otherwise noted.)

| PARAMETER                             | SYMBOL               | CONDITIONS                                                                  | TEMP. RANGE       | MIN  | TYP<br>(Note 2) | MAX   | UNITS |    |
|---------------------------------------|----------------------|-----------------------------------------------------------------------------|-------------------|------|-----------------|-------|-------|----|
| <b>SWITCH</b>                         |                      |                                                                             |                   |      |                 |       |       |    |
| Analog Signal Range                   | VCOM, VNO, VNC       | (Note 3)                                                                    |                   | 0    |                 | V+    | V     |    |
| On-Resistance                         | RON                  | V+ = 3V, V- = 0V, VNC or VNO = 1.5V, ICOM = 1.0mA, VINH = 2.4V, VINL = 0.8V | TA = +25°C        | C, E | 75              | 185   | Ω     |    |
|                                       |                      |                                                                             | TA = TMIN to TMAX | M    |                 | 175   |       |    |
| NC or NO Off Leakage Current (Note 8) | INC(OFF) or INO(OFF) | VCOM = 0V, VNC or VNO = 3V, V+ = 3.6V, V- = 0V                              | TA = +25°C        | C, E | -0.2            | -0.01 | 0.2   | nA |
|                                       |                      |                                                                             | TA = TMIN to TMAX | M    | -0.1            | -0.01 | 0.1   |    |
|                                       |                      |                                                                             |                   | C, E | -2.5            |       | 2.5   |    |
|                                       |                      |                                                                             |                   | M    | -5.0            |       | 5.0   |    |
| COM Leakage Current (Note 8)          | ICOM(ON)             | VCOM = 3V, VNC or VNO = 3V, V+ = 3.6V, V- = 0V                              | TA = +25°C        | C, E | -0.4            | -0.04 | 0.4   | nA |
|                                       |                      |                                                                             | TA = TMIN to TMAX | M    | -0.2            | -0.04 | 0.2   |    |
|                                       |                      |                                                                             |                   | C, E | -5.0            |       | 5.0   |    |
|                                       |                      |                                                                             |                   | M    | -20.0           |       | 20.0  |    |

# Low-Voltage, Quad, SPDT, CMOS Analog Switch

## ELECTRICAL CHARACTERISTICS—Single +3.3V Supply (continued)

(V+ = 3.0V to 3.6V, GND = 0V, VINH = 2.4V, VINL = 0.8V, TA = TMIN to TMAX, unless otherwise noted.)

| PARAMETER                             | SYMBOL           | CONDITIONS                                                                     |                        | MIN  | TYP<br>(Note 2) | MAX | UNITS |
|---------------------------------------|------------------|--------------------------------------------------------------------------------|------------------------|------|-----------------|-----|-------|
| <b>DIGITAL LOGIC INPUT</b>            |                  |                                                                                |                        |      |                 |     |       |
| Input Current with Input Voltage High | I <sub>INH</sub> | V <sub>IN</sub> = 2.4V, all others = 0.8V                                      |                        | -1.0 | 0.005           | 1.0 | μA    |
| Input Current with Input Voltage Low  | I <sub>INL</sub> | V <sub>IN</sub> = 0.8V, all others = 2.4V                                      |                        | -1.0 | 0.005           | 1.0 | μA    |
| <b>DYNAMIC</b>                        |                  |                                                                                |                        |      |                 |     |       |
| Turn-On Time (Note 3)                 | t <sub>ON</sub>  | V <sub>COM</sub> = 1.5V, Figure 2                                              | T <sub>A</sub> = +25°C |      |                 | 400 | ns    |
| Turn-Off Time (Note 3)                | t <sub>OFF</sub> | V <sub>COM</sub> = 1.5V, Figure 2                                              | T <sub>A</sub> = +25°C |      |                 | 150 | ns    |
| Break-Before-Make Delay (Note 3)      | t <sub>D</sub>   | Figure 5                                                                       | T <sub>A</sub> = +25°C | 5    | 20              |     | ns    |
| Charge Injection (Note 3)             | V <sub>CTE</sub> | C <sub>L</sub> = 1.0nF, V <sub>GEN</sub> = 0V, R <sub>GEN</sub> = 0Ω, Figure 6 | T <sub>A</sub> = +25°C |      | 1               | 5   | pC    |
| <b>SUPPLY</b>                         |                  |                                                                                |                        |      |                 |     |       |
| Power-Supply Range                    | V+               |                                                                                |                        | 2.7  |                 | 16  | V     |
| Positive Supply Current               | I+               | All channels on or off, V <sub>IN</sub> = 0V or V+, V+ = 3.6V, V- = 0V         |                        | -1.0 | 0.01            | 1.0 | μA    |
| Negative Supply Current               | I-               | All channels on or off, V <sub>IN</sub> = 0V or V+, V+ = 3.6V, V- = 0V         |                        | -1.0 | -0.01           | 1.0 | μA    |

**Note 2:** The algebraic convention, where the most negative value is a minimum and the most positive value a maximum, is used in this data sheet.

**Note 3:** Guaranteed by design.

**Note 4:**  $\Delta R_{ON} = \Delta R_{ON}(\max) - \Delta R_{ON}(\min)$ . On-resistance match between channels and flatness are guaranteed only with specified voltages. Flatness is defined as the difference between the maximum and minimum value of on-resistance as measured over the specified analog signal range.

**Note 5:** Leakage parameters are 100% tested at maximum rated hot temperature and guaranteed by correlation at room temperature.

**Note 6:** See Figure 6. Off isolation =  $20\log_{10} V_{COM}/V_{NC}$  or  $V_{NO}$ . V<sub>COM</sub> = output, V<sub>NC</sub> or V<sub>NO</sub> = input to off switch.

**Note 7:** Between any two switches. See Figure 3.

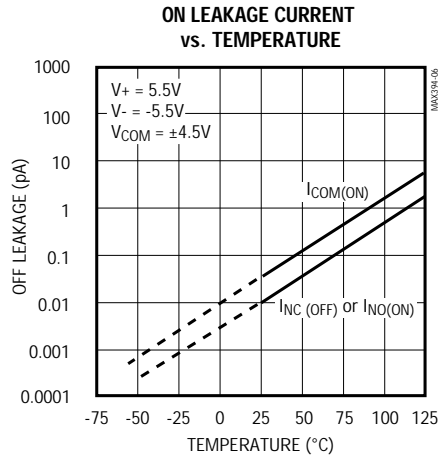
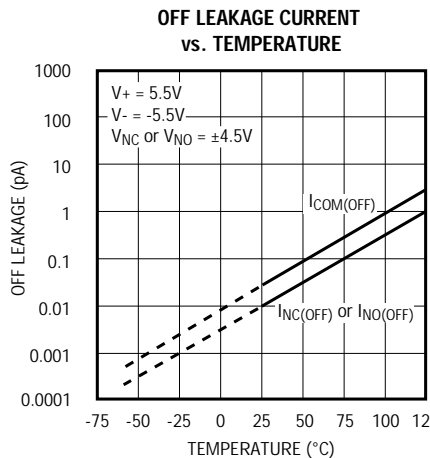
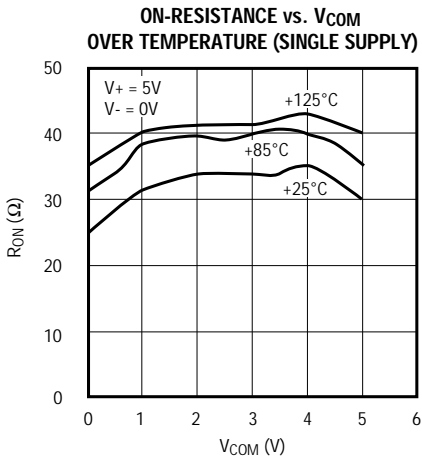
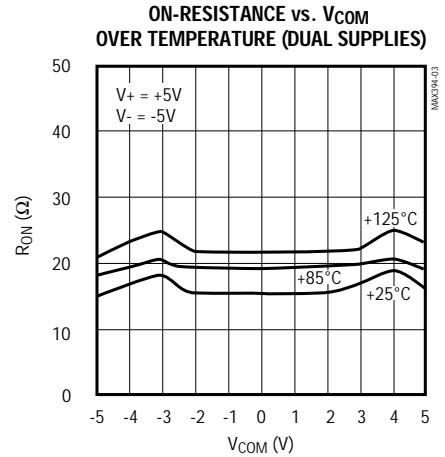
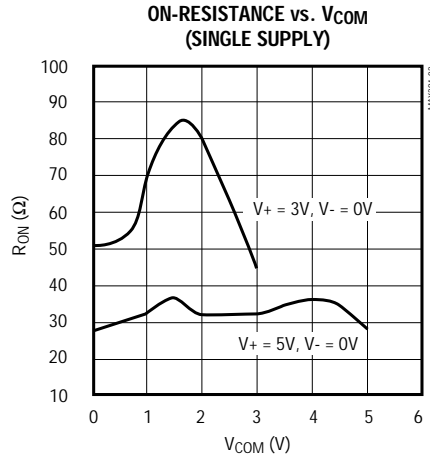
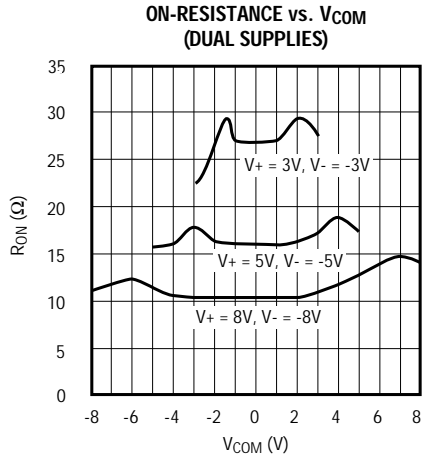
**Note 8:** Leakage testing at single supply is guaranteed by testing with dual supplies.

# Low-Voltage, Quad, SPDT, CMOS Analog Switch

## Typical Operating Characteristics

( $T_A = +25^\circ\text{C}$ , unless otherwise noted.)

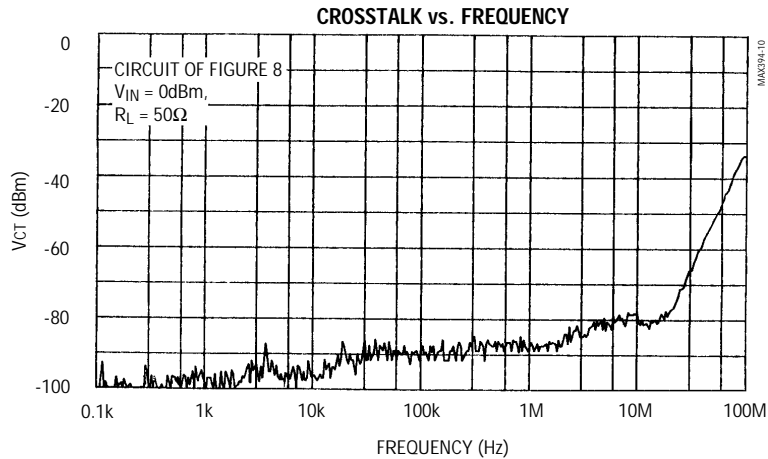
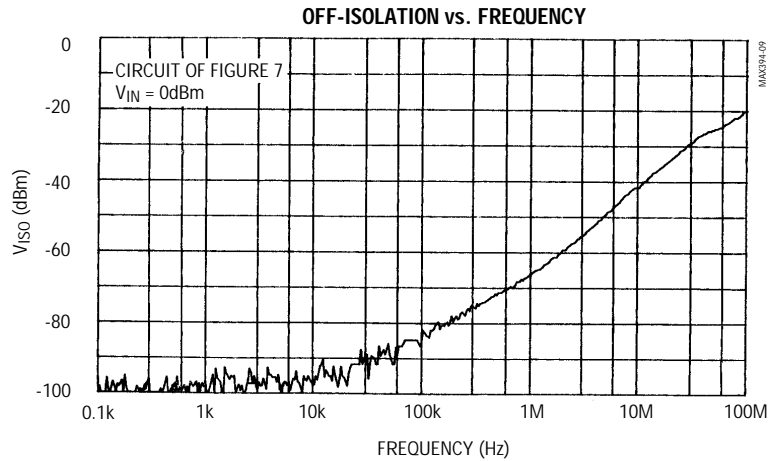
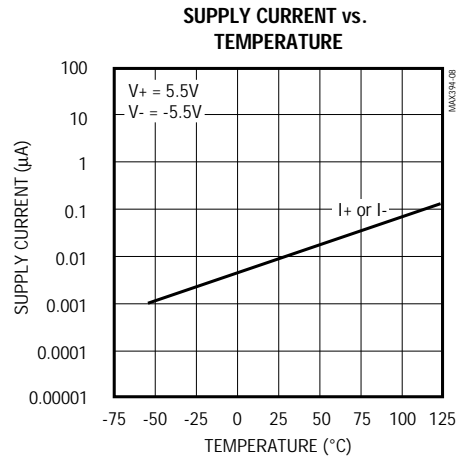
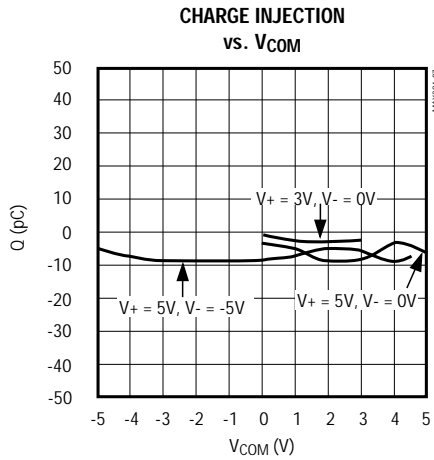
MAX394



# Low-Voltage, Quad, SPDT, CMOS Analog Switch

## Typical Operating Characteristics (continued)

( $T_A = +25^\circ\text{C}$ , unless otherwise noted).





# Low-Voltage, Quad, SPDT, CMOS Analog Switch

MAX394

## Pin Description

| PIN           | NAME      | FUNCTION                 |
|---------------|-----------|--------------------------|
| 1, 10, 11, 20 | IN1-IN4   | Logic-Level Inputs       |
| 2, 9, 12, 19  | NO1-NO4   | Normally Open Switches   |
| 3, 8, 13, 18  | COM1-COM4 | Common Switch Poles      |
| 4, 7, 14, 17  | NC1-NC4   | Normally Closed Switches |
| 5             | V-        | Negative Power Supply    |
| 6             | GND       | Ground                   |
| 15            | N.C.      | Not Internally Connected |
| 16            | V+        | Positive Power Supply    |

## Applications Information

### Operation with Supply Voltages Other than $\pm 5V$

The MAX394 switch operates with  $\pm 2.7V$  to  $\pm 8V$  bipolar supplies and a  $+2.7V$  to  $+15V$  single supply. In either case, analog signals ranging from  $V+$  to  $V-$  can be switched. The *Typical Operating Characteristics* graphs show the typical on-resistance variation with analog signal and supply voltage. The usual on-resistance temperature coefficient is  $0.5\%/^{\circ}C$  (typ).

### Power-Supply Sequencing and Overvoltage Protection

Do not exceed the absolute maximum ratings, because stresses beyond the listed ratings may cause permanent damage to the device. Proper power-supply sequencing is recommended for all CMOS devices. Always apply  $V+$ , followed by  $V-$  (when using split supplies) before applying analog signals or logic inputs, especially if the analog or logic signals are not current-limited. If this sequencing is not possible and if the analog or logic inputs are not current-limited to less than

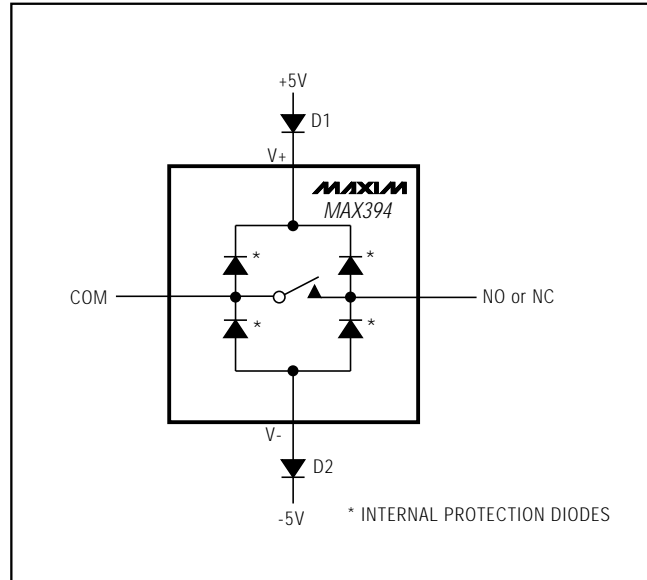


Figure 1. Overvoltage Protection Using Blocking Diodes

30mA, add a single diode (D1) for single-supply operation (Figure 1). If using dual supplies or if the analog signal can dip below ground in single-supply operation, add two small signal diodes (D1, D2), as shown in Figure 1. Adding protection diodes reduces the analog signal range to a diode drop above  $V-$  for D2. Leakage is not affected by adding the diodes. On-resistance increases by a small amount at low supply voltages. Maximum supply voltage ( $V-$  to  $V+$ ) must not exceed  $17V$ .

Adding diodes D1 and D2 also protects against some overvoltage situations. With the circuit of Figure 1, if the supply voltage is below the absolute maximum rating and if a fault voltage up to the absolute maximum rating is applied to an analog signal pin, no damage will result. For example, with  $\pm 5V$  supplies, analog signals up to  $\pm 8.5V$  will not damage the circuit of Figure 1. If only a single fault signal is present, the fault voltage can go to  $+12V$  or  $-12V$  without damage.

# Low-Voltage, Quad, SPDT, CMOS Analog Switch

## Test Circuits/Timing Diagrams

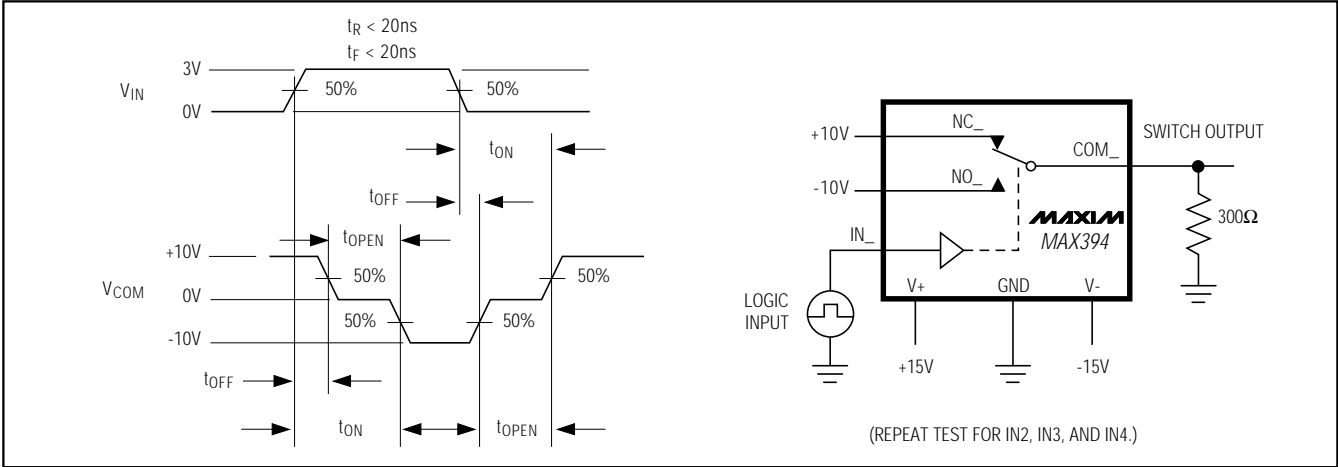


Figure 2. Switching-Time Test Circuit

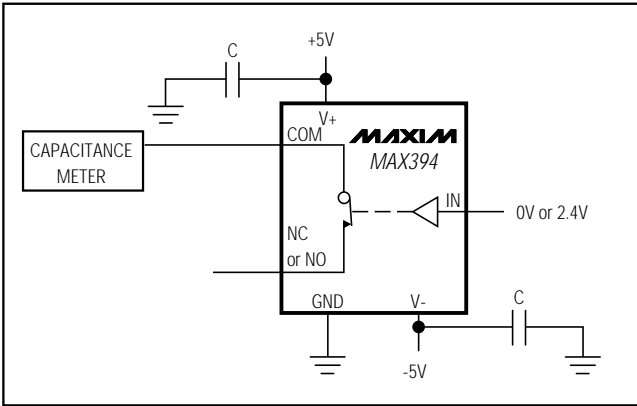


Figure 3. Channel Off Capacitance

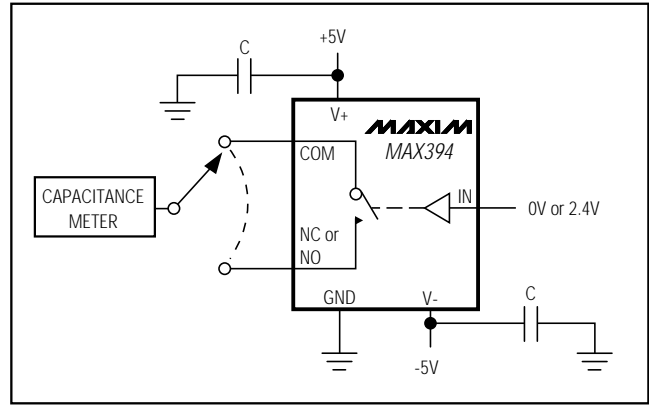


Figure 4. Channel On Capacitance

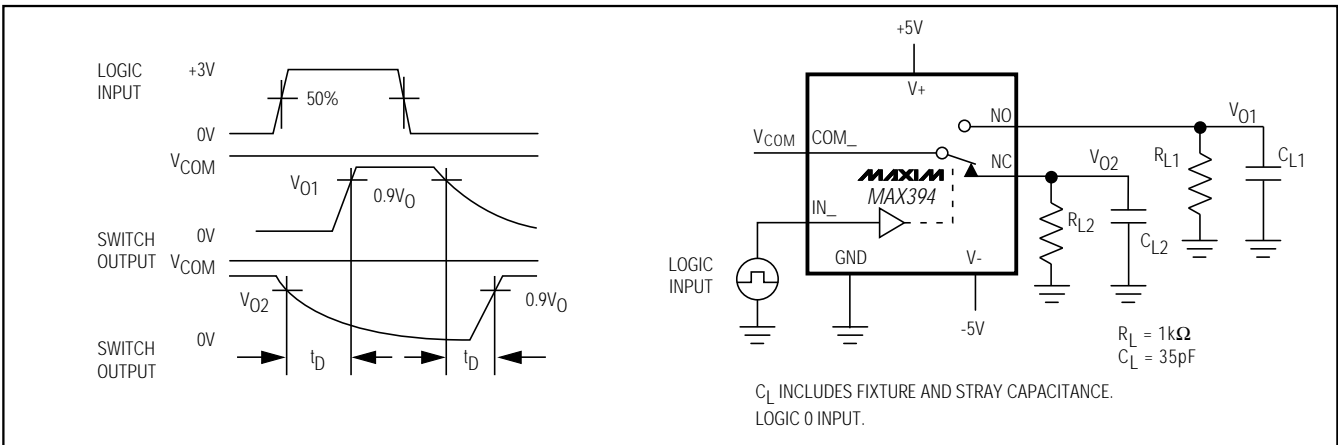


Figure 5. Break-Before-Make Delay

# Low-Voltage, Quad, SPDT, CMOS Analog Switch

MAX394

Test Circuits/Timing Diagrams (continued)

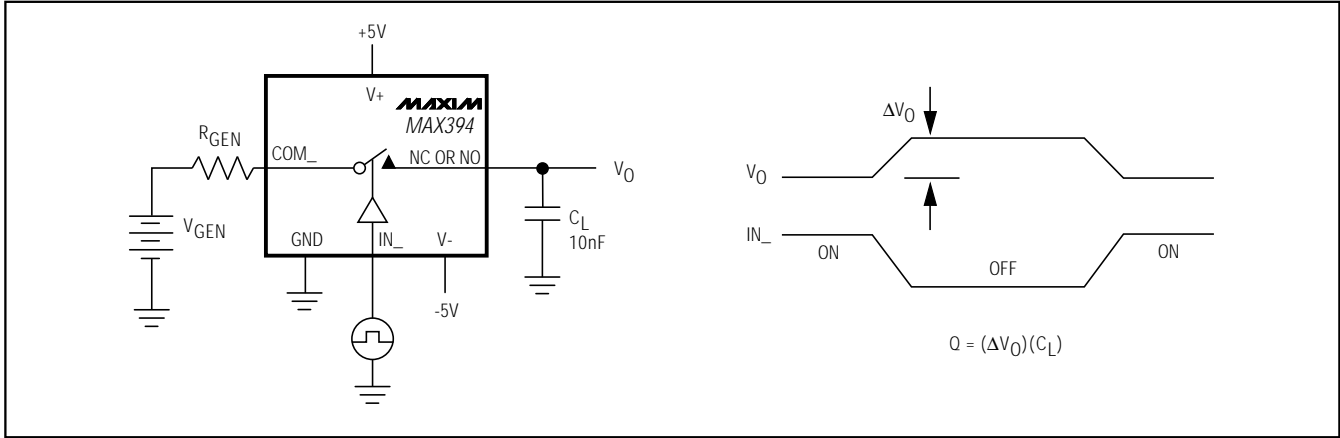


Figure 6. Charge Injection

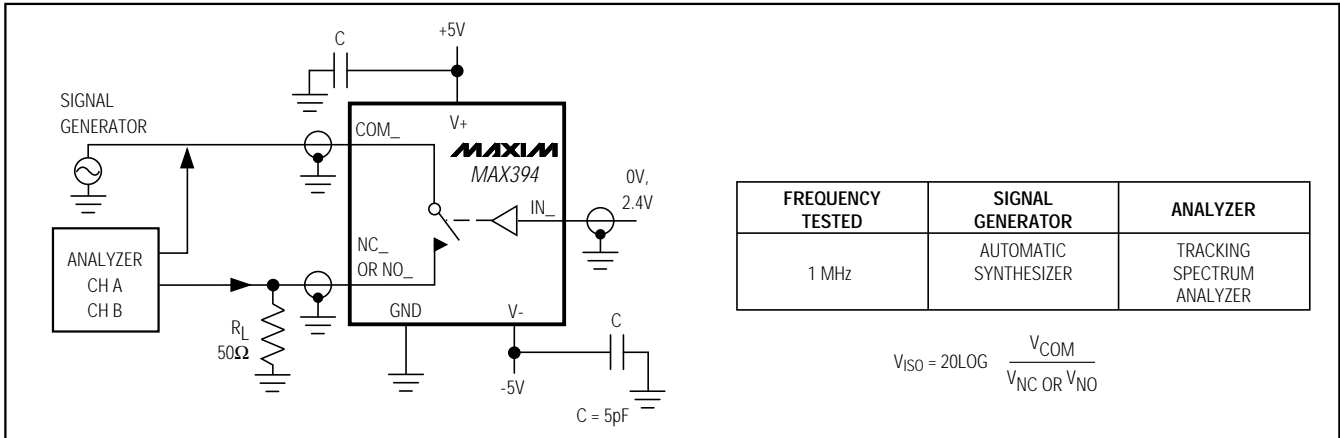


Figure 7. Off Isolation

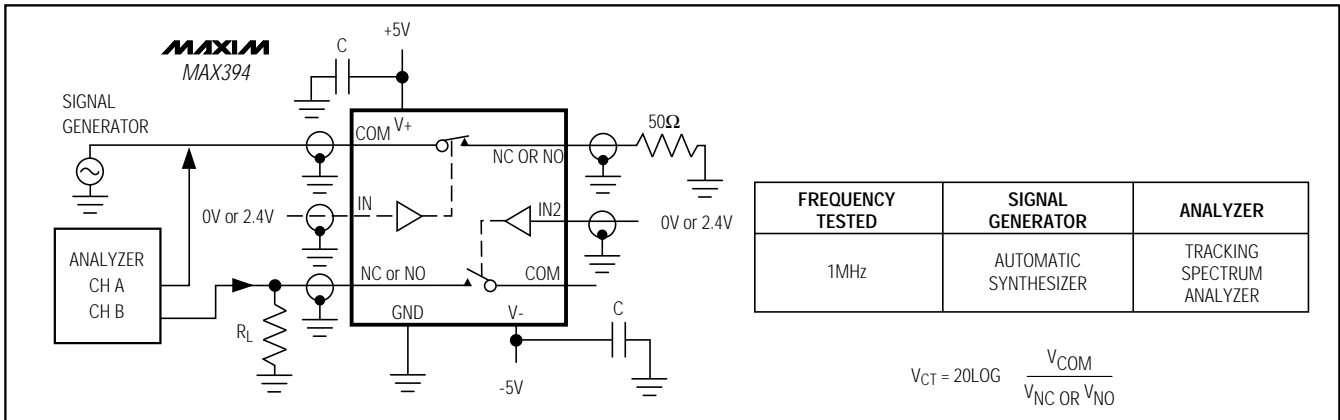
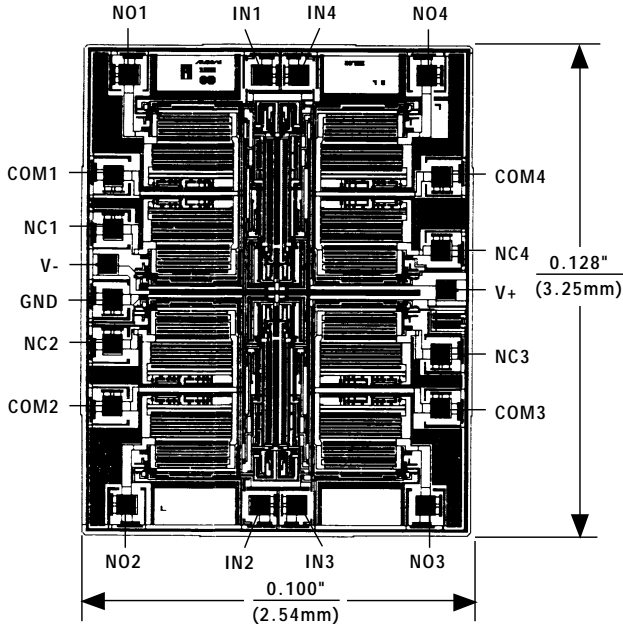


Figure 8. Crosstalk Test Circuit

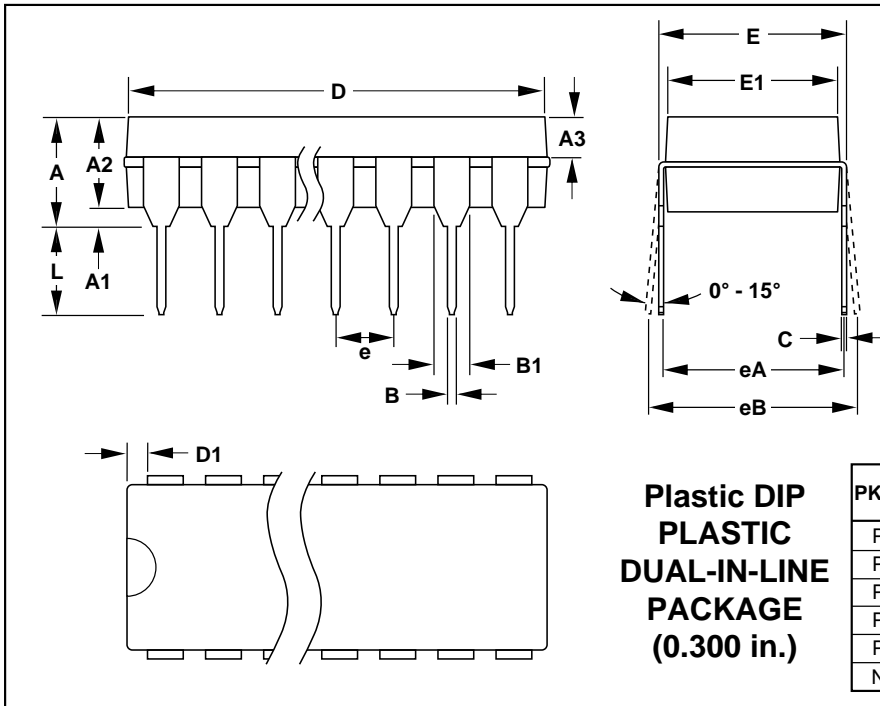
# Low-Voltage, Quad, SPDT, CMOS Analog Switch

Chip Topography



SUBSTRATE IS CONNECTED TO V+  
TRANSISTOR COUNT: 137

## Package Information



**Plastic DIP  
PLASTIC  
DUAL-IN-LINE  
PACKAGE  
(0.300 in.)**

| DIM | INCHES |       | MILLIMETERS |       |
|-----|--------|-------|-------------|-------|
|     | MIN    | MAX   | MIN         | MAX   |
| A   | -      | 0.200 | -           | 5.08  |
| A1  | 0.015  | -     | 0.38        | -     |
| A2  | 0.125  | 0.175 | 3.18        | 4.45  |
| A3  | 0.055  | 0.080 | 1.40        | 2.03  |
| B   | 0.016  | 0.022 | 0.41        | 0.56  |
| B1  | 0.045  | 0.065 | 1.14        | 1.65  |
| C   | 0.008  | 0.012 | 0.20        | 0.30  |
| D1  | 0.005  | 0.080 | 0.13        | 2.03  |
| E   | 0.300  | 0.325 | 7.62        | 8.26  |
| E1  | 0.240  | 0.310 | 6.10        | 7.87  |
| e   | 0.100  | -     | 2.54        | -     |
| eA  | 0.300  | -     | 7.62        | -     |
| eB  | -      | 0.400 | -           | 10.16 |
| L   | 0.115  | 0.150 | 2.92        | 3.81  |

| PKG. | DIM | PINS | INCHES |       | MILLIMETERS |       |
|------|-----|------|--------|-------|-------------|-------|
|      |     |      | MIN    | MAX   | MIN         | MAX   |
| P    | D   | 8    | 0.348  | 0.390 | 8.84        | 9.91  |
| P    | D   | 14   | 0.735  | 0.765 | 18.67       | 19.43 |
| P    | D   | 16   | 0.745  | 0.765 | 18.92       | 19.43 |
| P    | D   | 18   | 0.885  | 0.915 | 22.48       | 23.24 |
| P    | D   | 20   | 1.015  | 1.045 | 25.78       | 26.54 |
| N    | D   | 24   | 1.14   | 1.265 | 28.96       | 32.13 |

21-0043A

Maxim cannot assume responsibility for use of any circuitry other than circuitry entirely embodied in a Maxim product. No circuit patent licenses are implied. Maxim reserves the right to change the circuitry and specifications without notice at any time.

12 Maxim Integrated Products, 120 San Gabriel Drive, Sunnyvale, CA 94086 (408) 737-7600