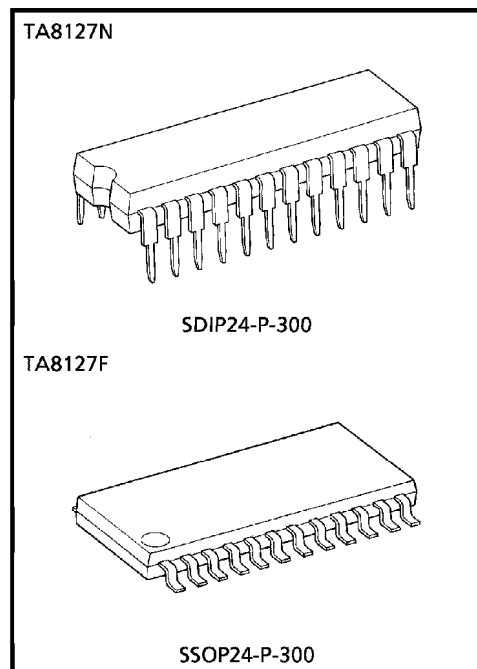


3V AM / FM 1CHIP TUNER IC

TA8127N and TA8127F are the AM / FM 1Chip Tuner ICs, which are designed for Portable Radios and 3V Headphone Radios.

FEATURES

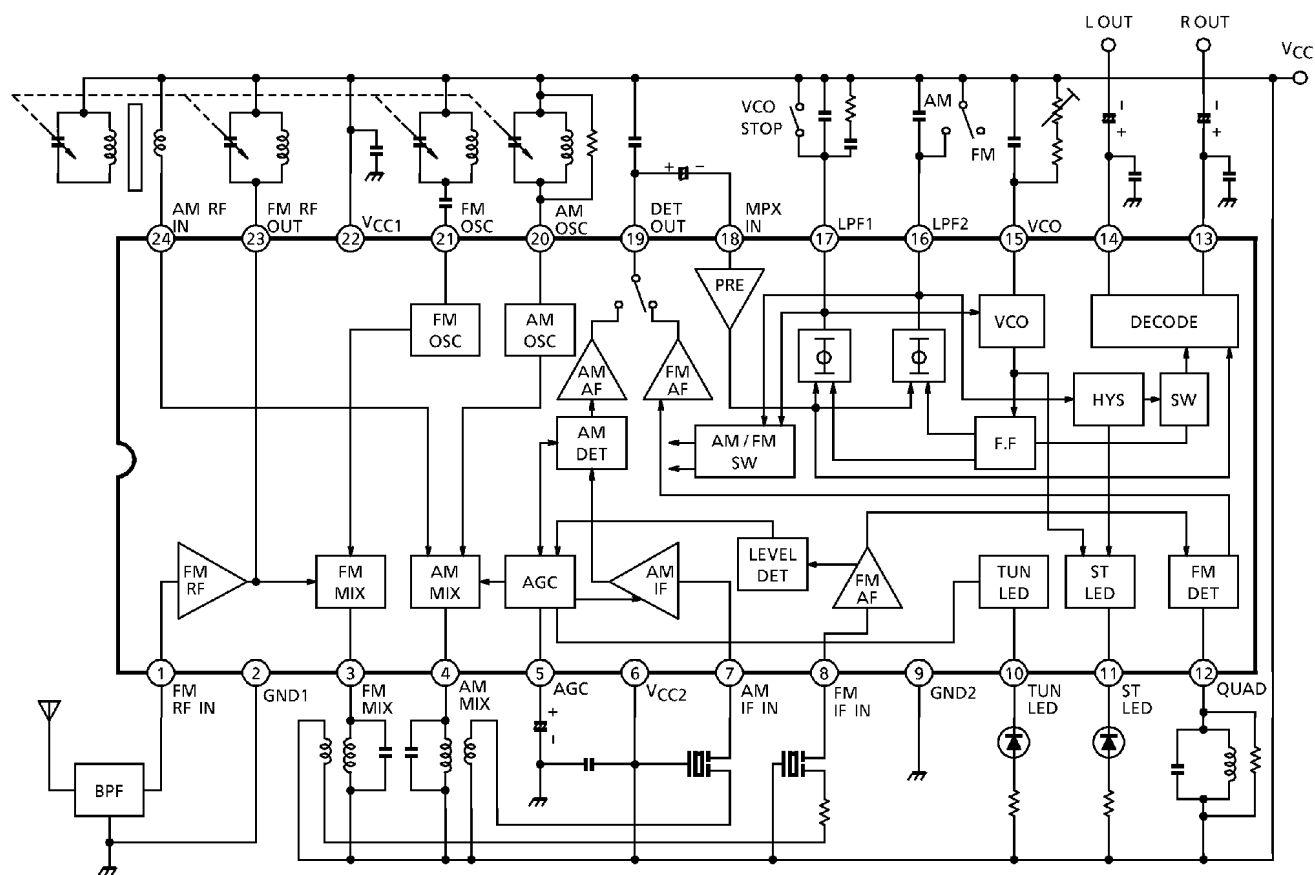
- Built-in
FM F/E, AM / FM IF and FM MPX
- AM Detector Coil and IF Coupling Condenser are not needed.
- Compact Package
TA8127N : Shrink DIP 24 pin (1.78mm pitch)
TA8127F : Mini Flat Package 24 pin
- Operating Supply Voltage Range
 $V_{CC} = 1.8 \sim 7.0V$ ($T_a = 25^\circ C$)



Weight SDIP24-P-300 : 1.2g (Typ.)
SSOP24-P-300 : 0.31g (Typ.)

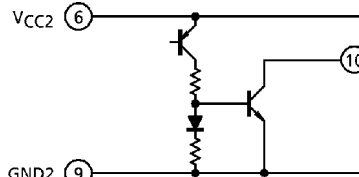
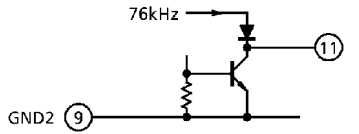
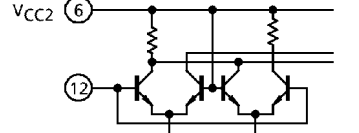
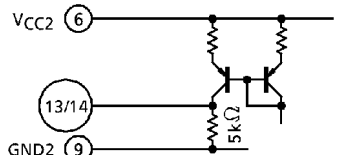
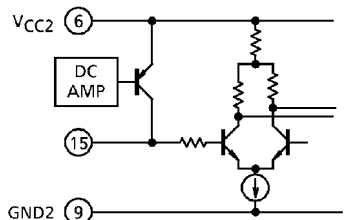
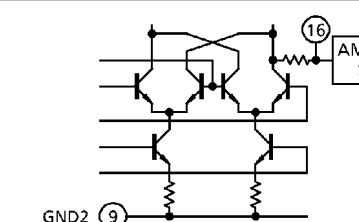
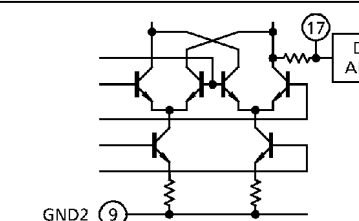
© The information contained herein is presented only as a guide for the applications of our products. No responsibility is assumed by TOSHIBA CORPORATION for any infringements of intellectual property or other rights of the third parties which may result from its use. No license is granted by implication or otherwise under any intellectual property or other rights of TOSHIBA CORPORATION or others.
© These TOSHIBA products are intended for use in general commercial applications (office equipment, communication equipment, measuring equipment, domestic appliances, etc.). please make sure that you consult with us before you use these TOSHIBA products in equipment which requires extraordinarily high quality and/or reliability, and in equipment which may involve life threatening or critical application, including but not limited to such uses as atomic energy control, airplane or spaceship instrumentation, traffic signals, medical instrumentation, combustion control, all types of safety devices, etc. TOSHIBA cannot accept and hereby disclaims liability for any damage which may occur in case the TOSHIBA products are used in such equipment or applications without prior consultation with TOSHIBA.

BLOCK DIAGRAM



EXPLANATION OF TERMINALS

PIN NO.	ITEM	INTERNAL CIRCUIT	DC VOLTAGE (V) (AT NO SIGNAL)	
			AM	FM
1	FM-RF IN		0	0.7
2	GND1 (GND for RF Stage)	—	0	0
3	FM MIX		3.0	3.0
4	AM MIX		3.0	3.0
5	AGC (AM AGC)		0	0
6	VCC2 (VCC for IF/MPX Stage)	—	3.0	3.0
7	AM IF IN		3.0	3.0
8	FM IF IN		3.0	3.0

PIN NO.	ITEM	INTERNAL CIRCUIT	DC VOLTAGE (V) (AT NO SIGNAL)	
			AM	FM
9	GND2 (GND for IF / MPX Stage)	—	0	0
10	TUN LED (Tuning LED)		—	—
11	ST LED (Stereo LED)		—	—
12	QUAD (FM QUAD. Detector)		3.0	3.0
13	R-OUT (R-ch Output)		1.0	1.0
14	L-OUT (L-ch Output)			
15	VCO		2.5	2.5 (VCO STOP MODE)
16	LPF2 <ul style="list-style-type: none"> ● LPF Terminal for Synchronous Detector ● Bias Terminal for AM / FM SW Circuit V ₁₆ = V _{CC} → AM (VCO Stop) V ₁₆ = Open → FM		3.0	2.2 (VCO STOP MODE) 2.7
17	LPF1 <ul style="list-style-type: none"> ● LPF Terminal for Phase Detector ● VCO Stop Terminal V ₇ = V _{CC} → VCO Stop		2.7	2.2

PIN NO.	ITEM	INTERNAL CIRCUIT	DC VOLTAGE (V) (AT NO SIGNAL)	
			AM	FM
18	MPX IN		0.7	0.7
19	DET OUT		1.5	1.2
20	AM OSC		3.0	3.0
21	FM OSC		3.0	3.0
22	VCC1 (VCC for RF Stage)	—	3.0	3.0
23	FM RF OUT	cf. pin①	3.0	3.0
24	AM RF IN		3.0	3.0

MAXIMUM RATINGS (Ta = 25°C)

CHARACTERISTIC		SYMBOL	RATING	UNIT
Supply Voltage		V _{CC}	8	V
LED Current		I _{LED}	10	mA
LED Voltage		V _{LED}	8	V
Power Dissipation	TA8127N	P _D (Note)	1200	mW
	TA8127F		400	
Operating Temperature		T _{opr}	- 25~75	°C
Storage Temperature		T _{stg}	- 55~150	°C

Note : Derated above 25°C in the proportion of 9.6mW/°C for TA8127N and of 3.2mW/°C for TA8127F.

ELECTRICAL CHARACTERISTICS

Unless otherwise specified,

Ta = 25°C, VCC = 3V, F/E : f = 83MHz, fm = 1kHz

FM IF : f = 10.7MHz, Δf = ± 22.5kHz, fm = 1kHz

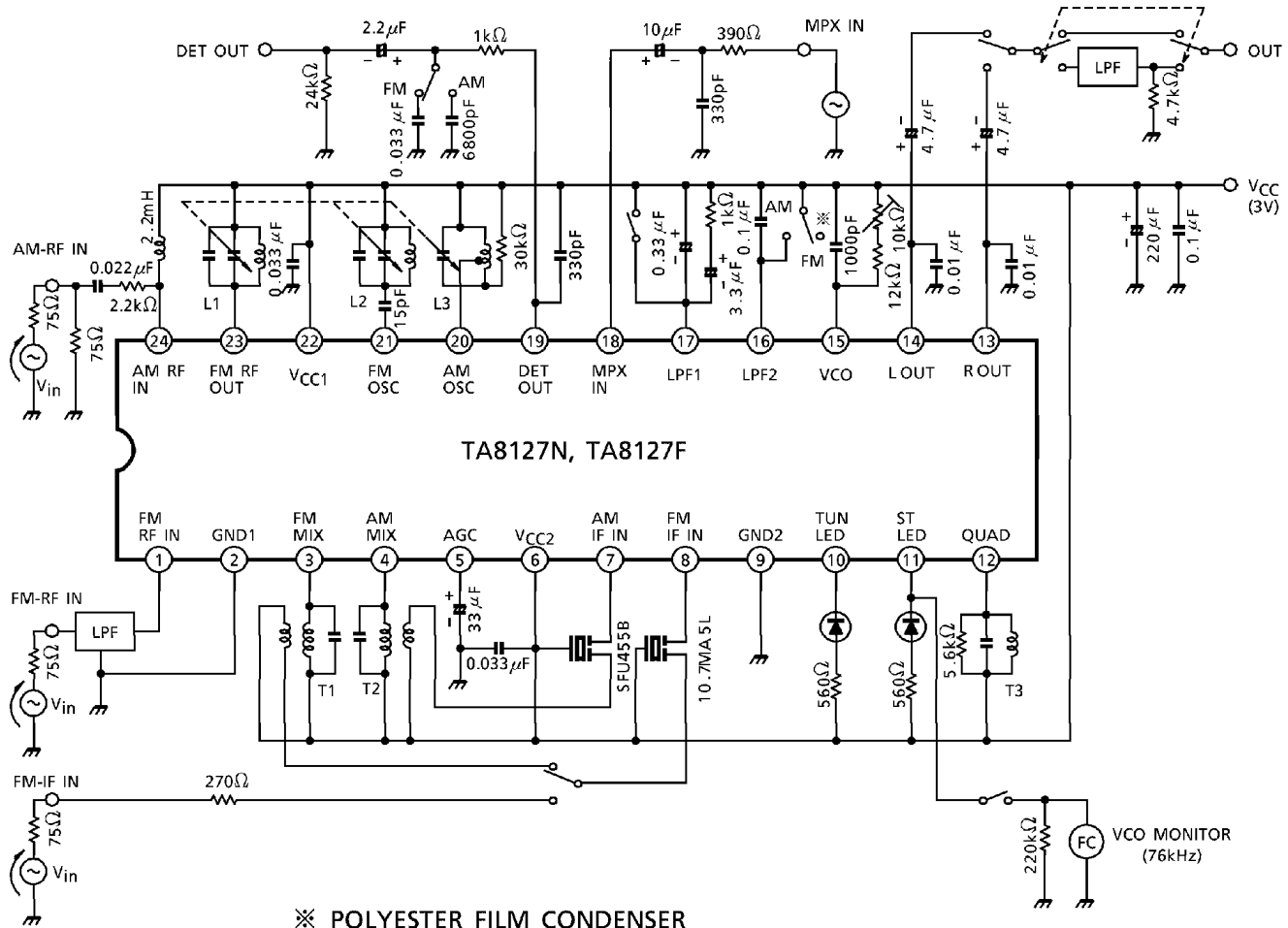
AM : f = 1MHz, MOD = 30%, fm = 1kHz

MPX : fm = 1kHz

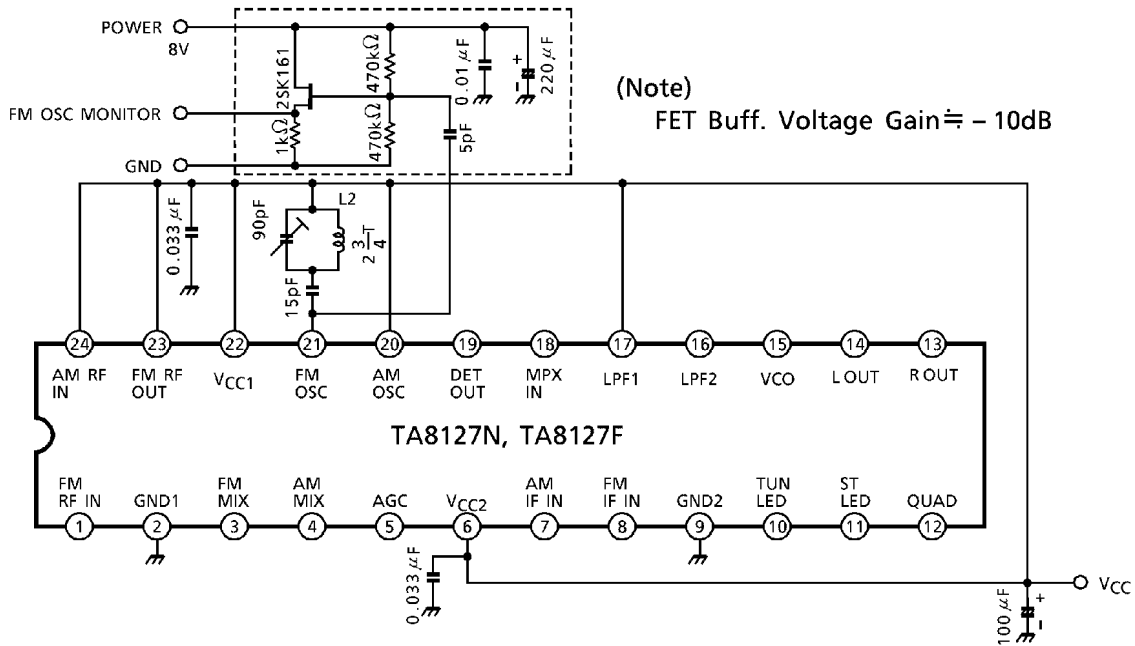
CHARACTERISTIC		SYMBOL	TEST CIRCUIT	TEST CONDITION	MIN.	TYP.	MAX.	UNIT
Supply Current		I _{CC} (FM)	1	V _{in} = 0, FM Mode	—	13.2	20.0	mA
		I _{CC} (AM)	1	V _{in} = 0, AM Mode	—	8.4	13.5	
F/E	Input Limiting Voltage	V _{in} (lim.)	1	-3dB Limiting	—	10.0	—	dB μ V EMF
	Local OSC Voltage	V _{OSC}	2	f _{OSC} = 72.3MHz	—	105	—	mV _{rms}
FM IF	Input Limiting Voltage	V _{in} (lim.) IF	1	-3dB Limiting	40	46	53	dB μ V EMF
	Recovered Output Voltage	V _{OD}	1	V _{in} = 80dB μ V EMF	55	80	110	mV _{rms}
	Signal to Noise Ratio	S/N	1	V _{in} = 80dB μ V EMF	—	70	—	dB
	Total Harmonic Distortion	THD	1	V _{in} = 80dB μ V EMF	—	0.4	—	%
	AM Rejection Ratio	AMR	1	V _{in} = 80dB μ V EMF	—	32	—	dB
	Lamp ON sensitivity	V _L	1	I _L = 1mA	45	51	56	dB μ V EMF
AM	Gain	G _V	1	V _{in} = 26dB μ V EMF	40	70	110	mV _{rms}
	Recovered Output Voltage	V _{OD}	1	V _{in} = 60dB μ V EMF	55	80	110	
	Signal to Noise Ratio	S/N	1	V _{in} = 60dB μ V EMF	—	42	—	dB
	Total Harmonic Distortion	THD	1	V _{in} = 60dB μ V EMF	—	1.0	—	%
	Lamp ON Sensitivity	V _L	1	I _L = 1mA	20	25	30	dB μ V EMF
Pin ¹⁹ Output Resistance		R ₁₉	1	FM Mode	—	0.75	—	k Ω
				AM Mode	—	12.5	—	

CHARACTERISTIC		SYMBOL	TEST CIRCUIT	TEST CONDITION	MIN.	TYP.	MAX.	UNIT		
MPX	Input Resistance	R _{IN}	—	—	—	24	—	kΩ		
	Output Resistance	R _{OUT}	—	—	—	5	—			
	Max. Composite Signal Input Voltage		V _{in} (max.) STEREO	1	L + R = 90%, P = 10% f _m = 1kHz, THD = 3%	—	350	—	mV _{rms}	
	Separation		Sep	1	L + R =	f _m = 100Hz	—	42	dB	
					135mV _{rms}	f _m = 1kHz	35	42		
					P = 15mV _{rms}	f _m = 10kHz	—	42		
	Total Harmonic Distortion	Monaural	THD (MONAURAL)	1	V _{in} = 150mV _{rms}		—	0.2	%	
		Stereo	THD (STEREO)		L + R = 135mV _{rms} , P = 15mV _{rms}		—	0.2		
	Voltage Gain		G _V (MPX)	1	V _{in} = 150mV _{rms}		-5	-3	-1	dB
	Channel Balance		C.B.	1	V _{in} = 150mV _{rms}		-2	0	2	
	Stereo Lamp Sensitivity	ON	V _L (ON)	1	Pilot Input		—	8	16	mV _{rms}
		OFF	V _L (OFF)		Pilot Input		2	6	—	
Stereo Lamp Hysteresis		V _H	1	To LED turn off from LED turn on		—	2	—	mV _{rms}	
Capture Range		C.R.	1	P = 15mV _{rms}		—	±3	—	%	
Signal to Noise Ratio		S/N	1	V _{in} = 150mV _{rms}		—	70	—	dB	

TEST CIRCUIT 1



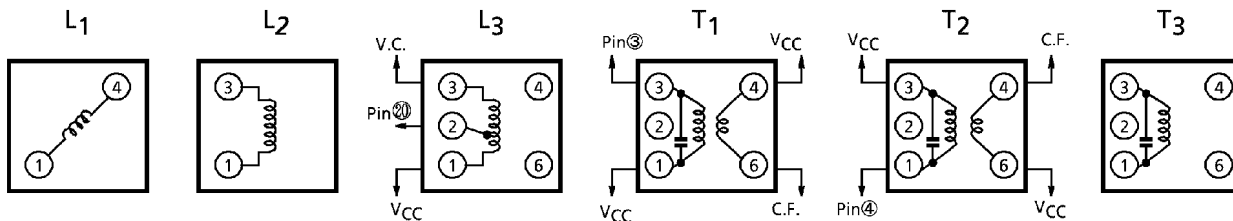
TEST CIRCUIT 2



COIL DATA

COIL No.	TEST FREQ. (Hz)	L (μH)	C ₀ (pF)	Q ₀	TURNS					WIRE (mm φ)	REFERENCE
					1-2	2-3	1-3	1-4	4-6		
L ₁ FM RF	100M	—	—	100	—	—	—	2 $\frac{1}{2}$	—	0.5UEW	Ⓢ 53T-037-202
L ₂ FM OSC	100M	—	—	100	—	—	2 $\frac{3}{4}$	—	—	0.5UEW	Ⓢ 0258-244
L ₃ AM OSC	796k	288	—	115	13	73	—	—	—	0.08UEW	Ⓢ 4147-1356-038
T ₁ FM MIX	10.7M	—	75	100	—	—	13	—	2	0.1UEW	Ⓢ 2153-414-041
T ₂ AM MIX	455k	—	180	120	—	—	180	—	15	0.08UEW	Ⓢ 2150-2162-165
T ₃ FM DET	10.7M	—	47	165	—	—	16	—	—	0.09UEW	Ⓢ 2153-4095-122

Ⓢ : SUMIDA ELECTRIC CO., LTD

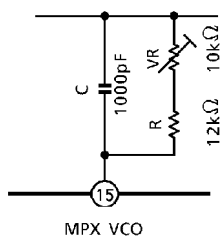
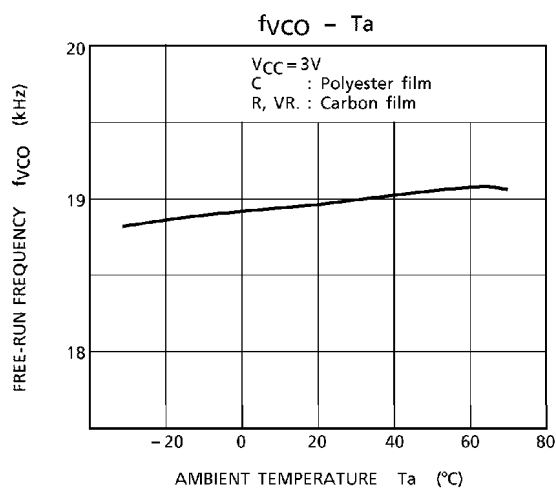


HINT ON USE OF TA8127N and TA8127F

External Parts of MPX VCO

- (1) Temperature characteristic of MPX VCO free-run frequency. The temperature characteristic of MPX VCO is shown in the diagram as below. Select one with a better temperature characteristic (C, R and VR.) in use. We recommend,

C : POLYESTER FILM
R, VR. : CARBON FILM

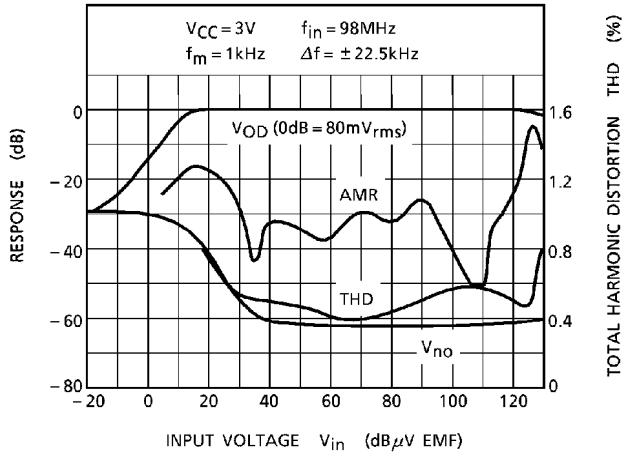


- (2) Value of the external parts

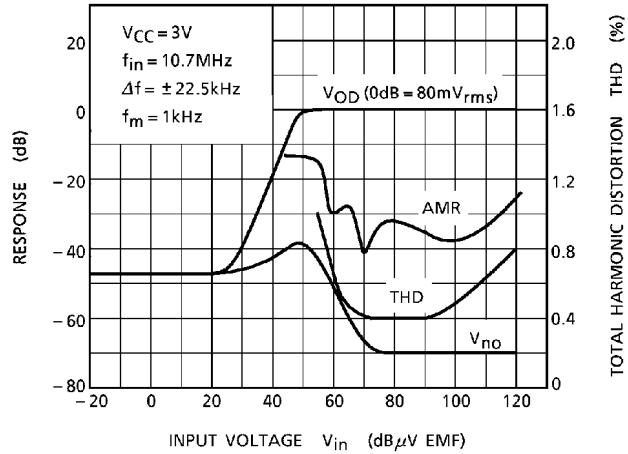
We recommend to set up these value as below.

R = 12kΩ
VR = 10kΩ
C = 1000pF

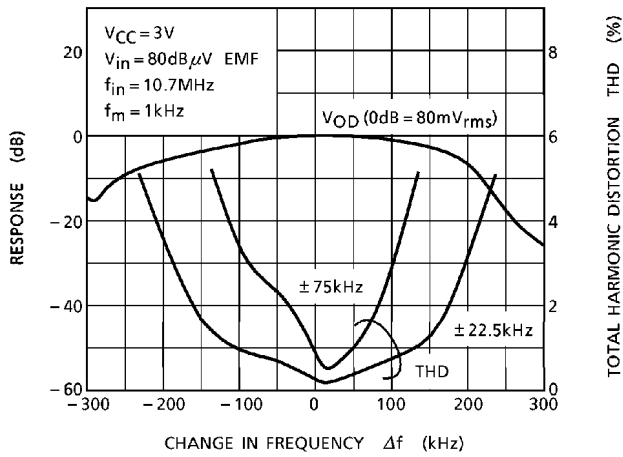
FM (F/E + IF)
VOD, V_{no}, THD, AMR - V_{in}



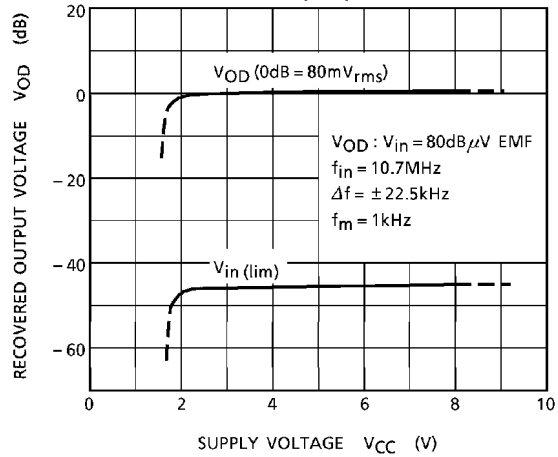
FM (IF)
VOD, V_{no}, THD, AMR - V_{in}



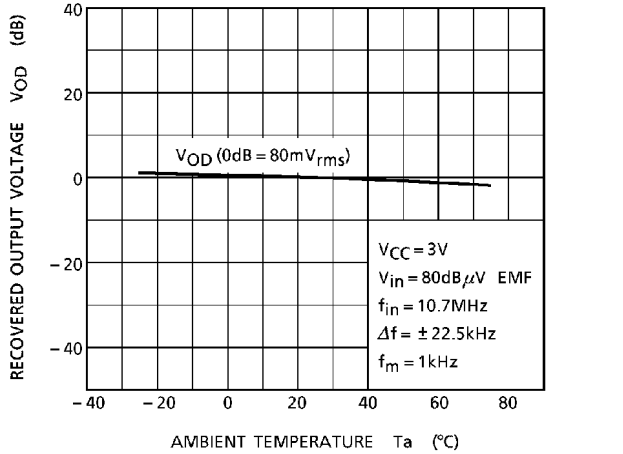
FM (IF)
VOD, THD - Δf



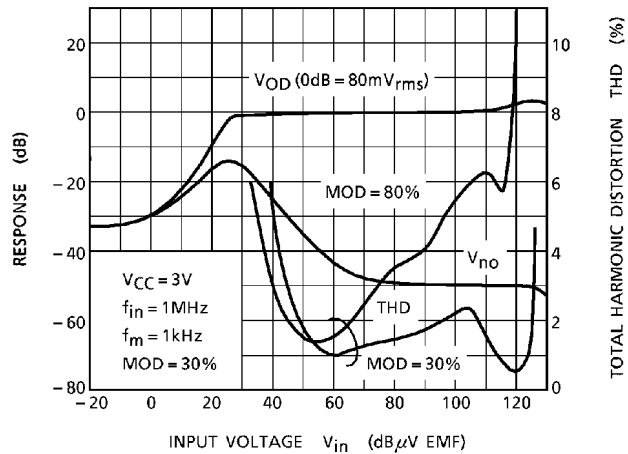
FM (IF)
VOD, V_{in} (lim.) - V_{CC}

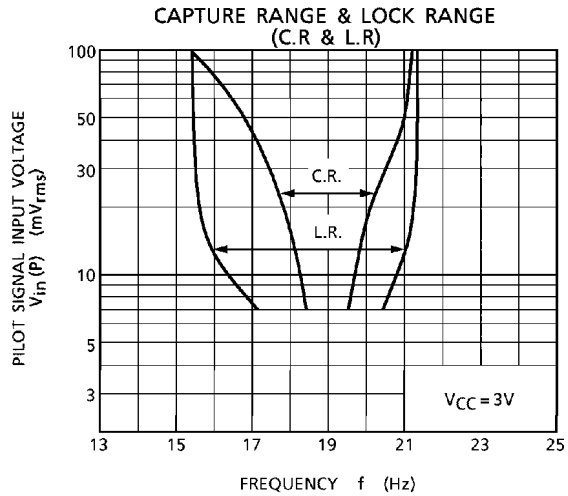
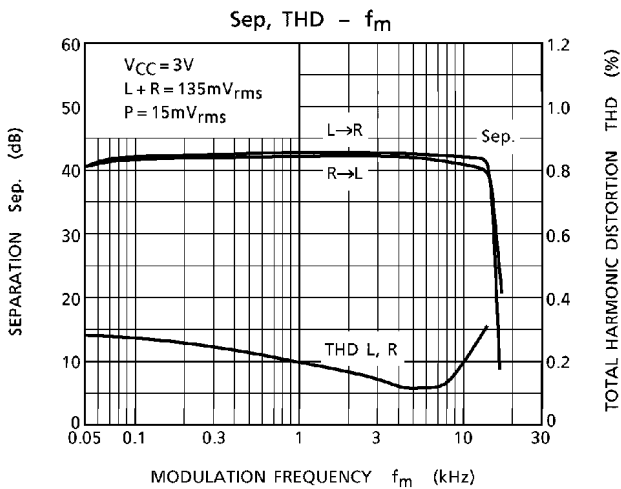
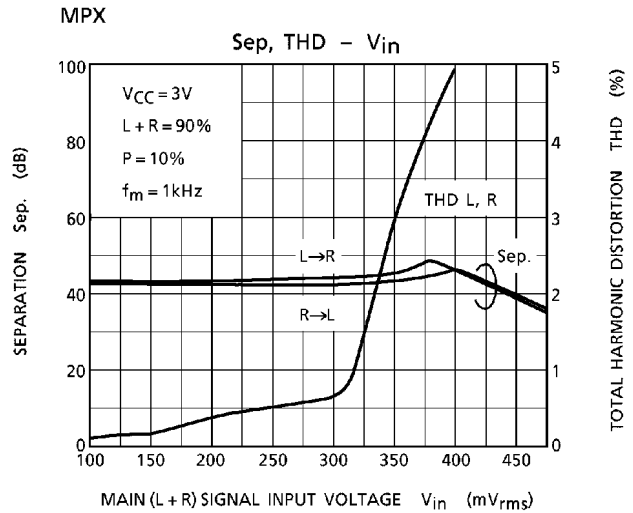
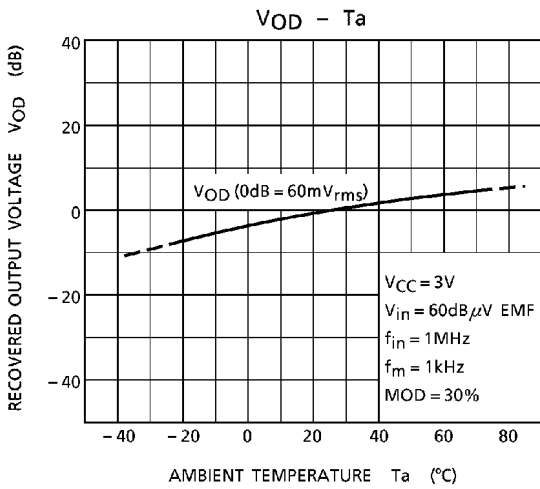
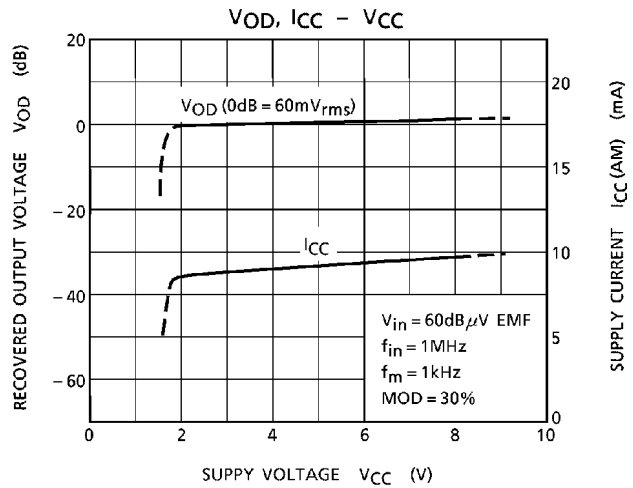
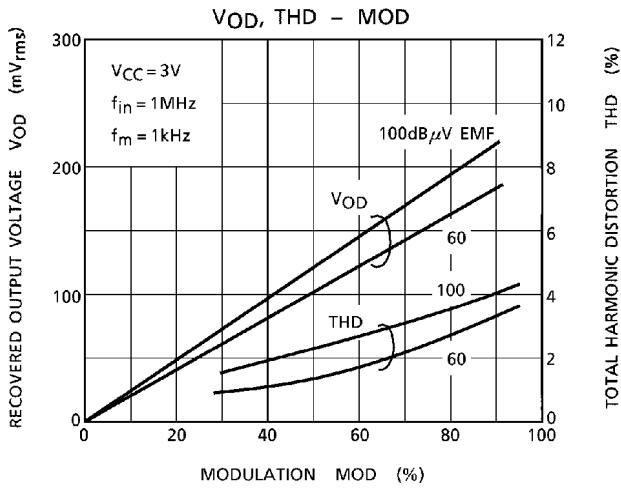


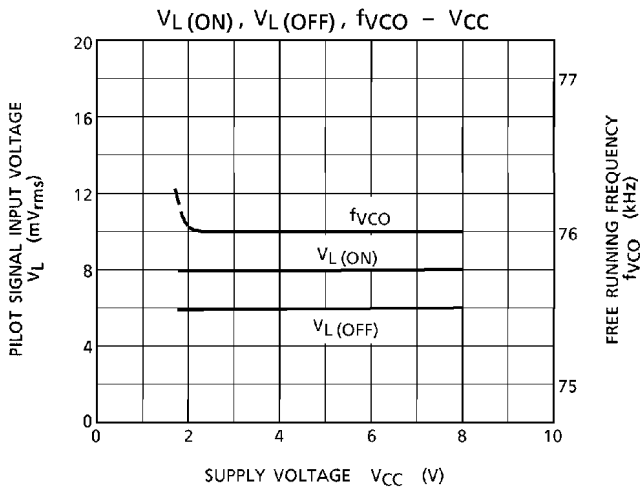
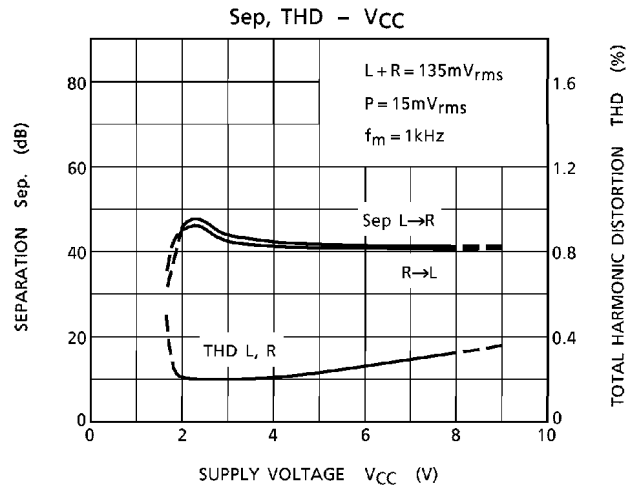
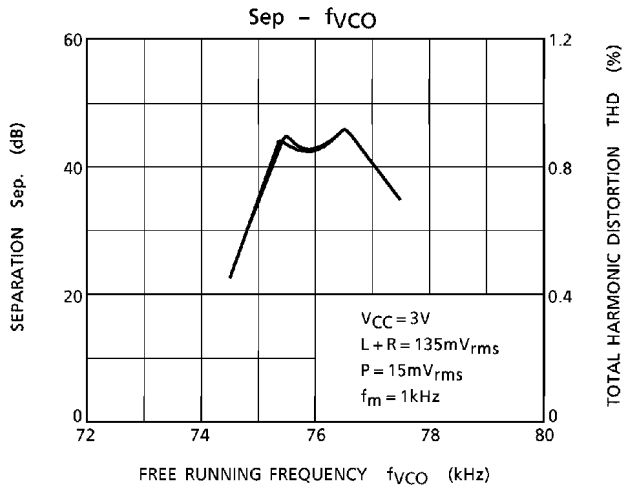
FM (IF)
VOD - T_a



AM
VOD, V_{no}, THD - V_{in}

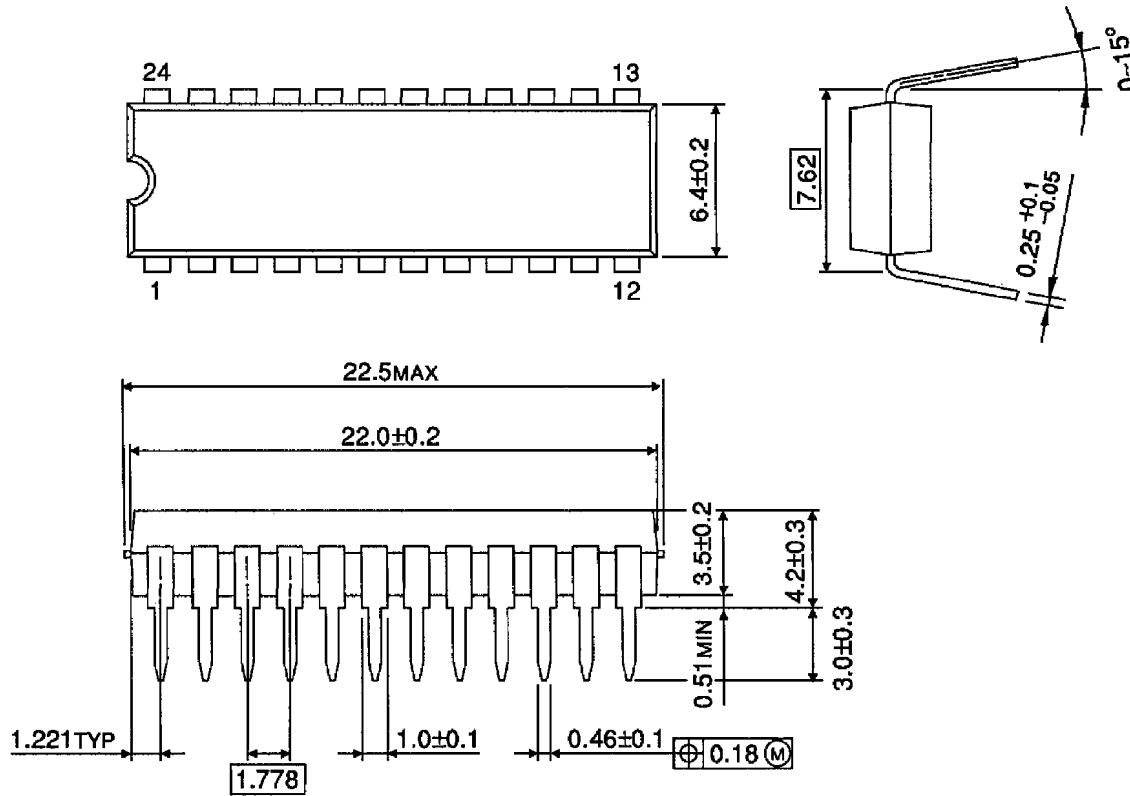






OUTLINE DRAWING
SDIP24-P-300

Unit : mm

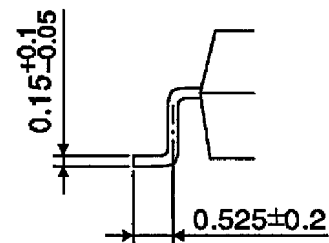
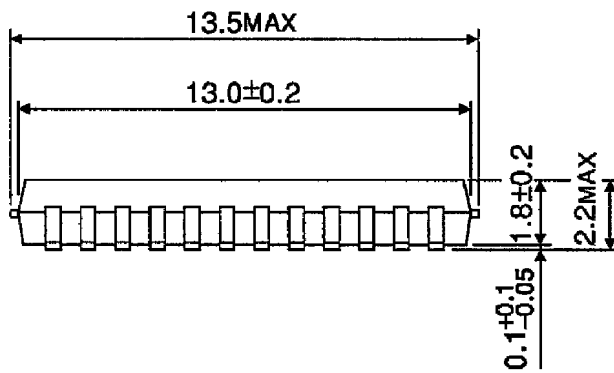
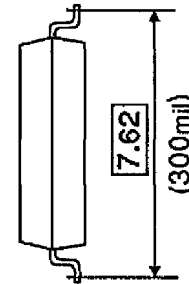
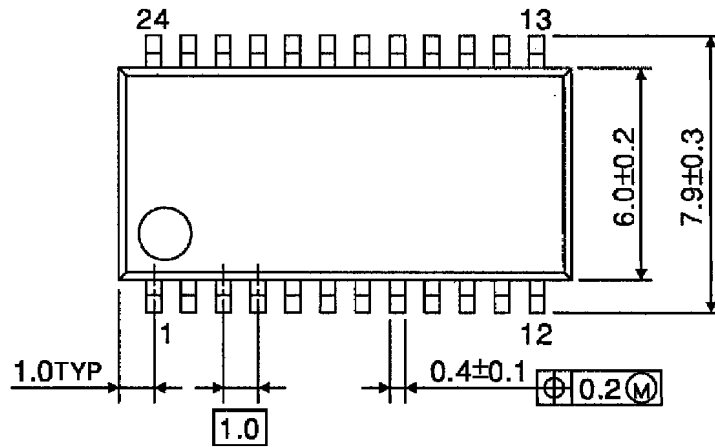


Weight : 1.2g (Typ.)

TA8127N - 15
1994 - 3 - 8
TOSHIBA CORPORATION

OUTLINE DRAWING
SSOP24-P-300

Unit : mm



Weight : 0.31g (Typ.)